

Actuator

18-
237.035



<https://eao.com/p/18-237.035>

Your product:



18-237.035 Actuator

FRONT

Front form:	round
Front bezel material:	Plastic
Front bezel colour:	Black
Front dimension:	Ø 9 mm

MOUNTING

Design:	raised
----------------	--------

OPERATING-/INDICATION PART

Lens illumination:	illuminative
---------------------------	--------------

ELECTRICAL CHARACTERISTICS

Switching voltage and switching current:	100 mA at 42 VAC/VDC
Electrical lifetime:	≥500 000 cycles of operation at 30 VDC, 100 mA, according to IEC 61058-1
Electric strength:	500 VAC, 50 Hz, 1 minute, as per IEC 60512-2-11 between all terminals and earth
Contacts:	1 NO

MECHANICAL CHARACTERISTIC

Wire cross section:	Max. wire cross-section 2 wires with 0.5 mm Max. wire cross-section of stranded cable 1 x 0.75 mm ² Wire cross-section of terminal 1,6 x 0,4 mm ²
Switching system:	The snap-action switching system was designed for switching low powers in electronic circuits. Single-break snap-action contact.
Switching system:	Snap-action switching element

Tightening torque:	Fixing nut max. 0.2 Nm
Weight:	0.002 kg
Operating Travel:	ca. 2.2 mm ± 0.2 mm
Terminal:	Soldering terminal
Contact material:	Gold
Operating force:	1.4 N
Switching action:	Maintained
Mechanical lifetime:	1 Mio. cycles of operation

AMBIENT CONDITION

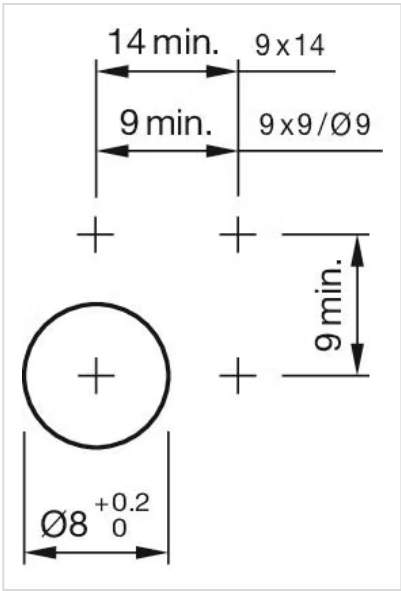
Shock resistance:	50 g for 11 ms, as per DIN / EN 60068-2-27 (Single impacts, semi-sinusoidal)
Operating temperature:	- 25 °C ... + 65 °C
Storage temperature:	- 40 °C ... + 80 °C
Vibration resistance:	10 g at 10 Hz...2000 Hz, amplitude 0.75 mm (Sinusoidal), according to DIN EN 60512-4-4
IP front protection:	IP40, according to IEC 60529

CERTIFICATE

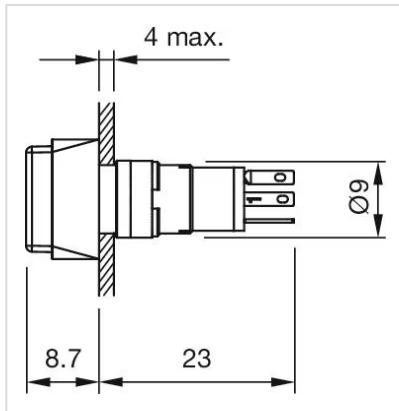
Conformities:	2011 / 65 / EC (RoHS), 2014 / 35 / EU (LVD) for version 230 VAC
----------------------	---

OTHER

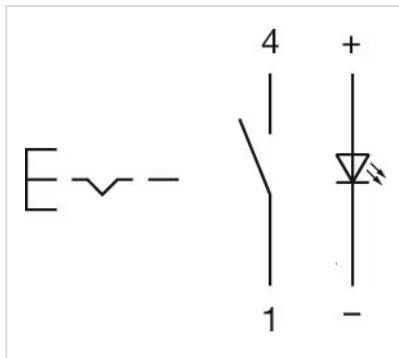
Short Description:	Actuator, Ø 9 mm, illuminative, round, Black, Plastic, 1 NO, Maintained, Soldering terminal, IP40, according to IEC 60529
Internal size:	Ø 7,5 mm
Housing colour:	Black
Housing material:	Plastic
Mounting cut-outs:	



Dimension drawings:



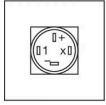
Wiring diagrams:



Component layouts:

A
B

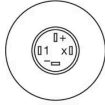
9 x 9 mm
19 x 19 mm



9 x 14 mm



Ø9 mm
Ø19 x 19 mm



C
D
E