

Actuator

18-
168.035



<https://eao.com/p/18-168.035>

Your product:



18-168.035 Actuator

FRONT

Front bezel material:	Plastic
Front bezel colour:	Black
Front dimension:	Ø 19 mm
Front form:	round

MOUNTING

Design:	flush
----------------	-------

OPERATING-/INDICATION PART

Lens illumination:	illuminative
---------------------------	--------------

ELECTRICAL CHARACTERISTICS

Electric strength:	500 VAC, 50 Hz, 1 minute, as per IEC 60512-2-11 between all terminals and earth
Contacts:	1 NC
Switching voltage and switching current:	100 mA at 42 VAC/VDC
Electrical lifetime:	≥500 000 cycles of operation at 30 VDC, 100 mA, according to IEC 61058-1

MECHANICAL CHARACTERISTIC

Terminal:	Soldering terminal
Switching system:	The snap-action switching system was designed for switching low powers in electronic circuits. Single-break snap-action contact.
Operating force:	1.4 N
Operating Travel:	

ca. 2.2 mm ± 0.2 mm

Tightening torque:	Fixing nut max. 0.2 Nm
Switching action:	Momentary
Mechanical lifetime:	2 Mio. cycles of operation
Weight:	0.002 kg
Contact material:	Gold
Wire cross section:	Max. wire cross-section 2 wires with 0.5 mm Max. wire cross-section of stranded cable 1 x 0.75 mm ² Wire cross-section of terminal 1,6 x 0,4 mm ²
Switching system:	Snap-action switching element

AMBIENT CONDITION

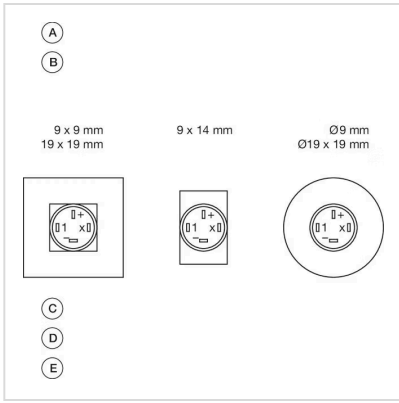
Storage temperature:	- 40 °C ... + 80 °C
Operating temperature:	- 25 °C ... + 65 °C
IP front protection:	IP40, according to IEC 60529
Shock resistance:	50 g for 11 ms, as per DIN / EN 60068-2-27 (Single impacts, semi-sinusoidal)
Vibration resistance:	10 g at 10 Hz...2000 Hz, amplitude 0.75 mm (Sinusoidal), according to DIN EN 60512-4-4

CERTIFICATE

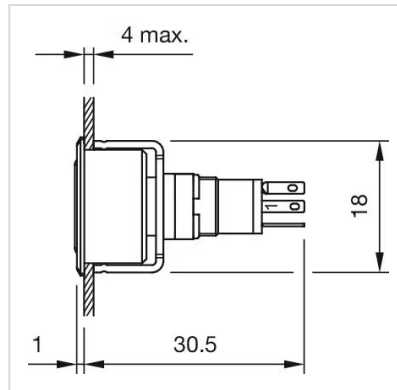
Conformities:	2011 / 65 / EC (RoHS), 2014 / 35 / EU (LVD) for version 230 VAC
----------------------	---

OTHER

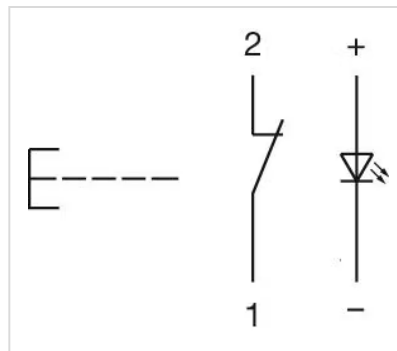
Housing colour:	Black
Short Description:	Actuator, Ø 19 mm, illuminative, round, Black, Plastic, 1 NC, Momentary, Soldering terminal, IP40, according to IEC 60529
Housing material:	Plastic
Internal size:	Ø 13,8 mm
Component layouts:	



Dimension drawings:



Wiring diagrams:



Mounting cut-outs:

