

PLEASE CHECK WWW.MOLEX.COM FOR LATEST PART INFORMATION

Part Number: [18-12-1602](#)
Status: **Active**
Description: 3.18mm Diameter HCS-125 Pin and Socket Crimp Terminal, Series 1901, Female, with Tin (Sn) Plated Brass Contact, 10-14 AWG, Bag

Documents:

[Drawing \(PDF\)](#) [RoHS Certificate of Compliance \(PDF\)](#)
[Product Specification PSX-42179 \(PDF\)](#)

General

| | |
|-------------------------|-----------------------------------|
| Product Family | Crimp Terminals |
| Series | 1901 |
| Application | Power |
| Crimp Quality Equipment | Yes |
| MolexKits | Yes |
| Packaging Alternative | 18-12-1601 (Reel) |
| Product Name | HCS-125 |
| UPC | 800754202800 |

Physical

| | |
|--------------------------------|----------------------|
| Gender | Female |
| Material - Metal | Brass |
| Material - Plating Mating | Tin |
| Material - Plating Termination | Tin |
| Net Weight | 0.608/g |
| Packaging Type | Bag |
| Plating min - Mating | 0.508µm |
| Plating min - Termination | 0.508µm |
| Termination Interface: Style | Crimp or Compression |
| Wire Insulation Diameter | 4.57mm max. |
| Wire Size AWG | 10, 12, 14 |
| Wire Size mm ² | N/A |

Material Info

Old Part Number [19011P901L](#)

Reference - Drawing Numbers

Product Specification [PSX-42179](#)
 Sales Drawing [SD-1901-1*](#)

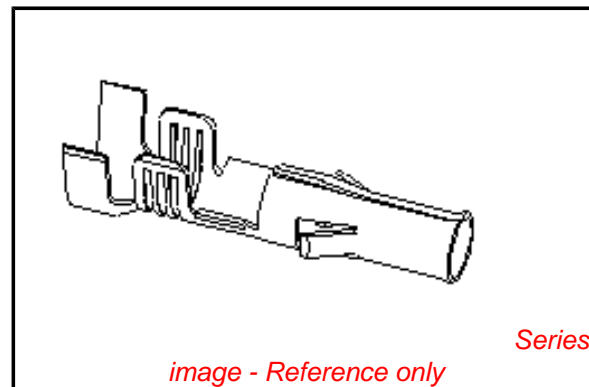


image - Reference only

EU RoHS

**ELV and RoHS
Compliant**
**REACH SVHC
Contains SVHC: No**
**Low-Halogen Status
Low-Halogen**

China RoHS



Need more information on product environmental compliance?

Email productcompliance@molex.com
 For a multiple part number RoHS Certificate of Compliance, [click here](#)

Please visit the [Contact Us](#) section for any non-product compliance questions.

Search Parts in this Series

[1901Series](#)

Mates With

[1900 Series](#), [2046 Series](#), [42554 Series](#)

Use With

[42179 Receptacle](#)

Application Tooling | FAQ

Tooling specifications and manuals are found by selecting the products below. Crimp Height Specifications are then contained in the Application Tooling Specification document.

Global

| Description | Product # |
|--|----------------------------|
| Extractor Tool for .093 and HCS-125 Product Series | 0638240200 |
| Hand Crimper | 0638111100 |

This document was generated on 02/11/2013

PLEASE CHECK WWW.MOLEX.COM FOR LATEST PART INFORMATION