

Actuator

18-
062.0054L



<https://eao.com/p/18-062.0054L>

Your product:



18-062.0054L Actuator

FRONT

Front bezel colour:	Black
Front dimension:	Ø 19 mm
Front bezel material:	Plastic
Front form:	round

MOUNTING

Design:	flush
---------	-------

OPERATING-/INDICATION PART

Lens material:	Plastic
Lens shape:	flush
Illumination colour:	Yellow
Lens optics:	translucent
Lens illumination:	illuminative
Lens colour:	Yellow

ELECTRICAL CHARACTERISTICS

Operating voltage:	24 V DC ±10 %
--------------------	---------------

MECHANICAL CHARACTERISTIC

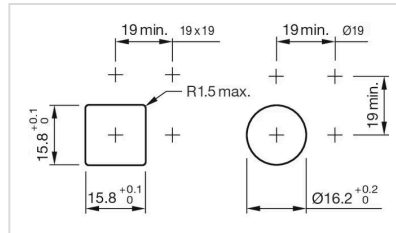
Weight:	0.003 kg
Terminal:	Soldering terminal

OTHER

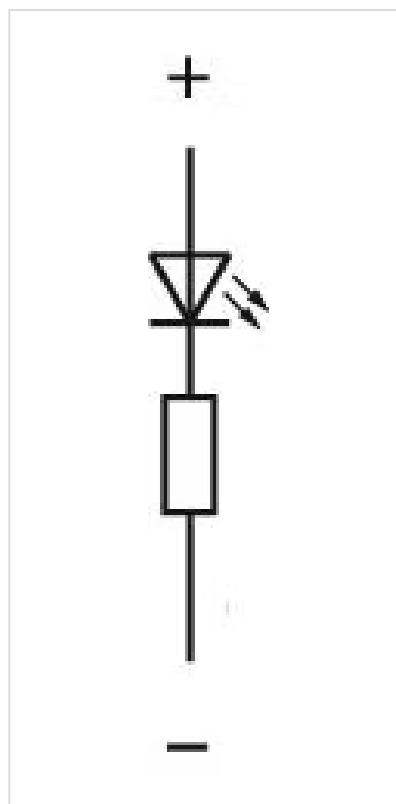
Dimension: Ø 13.8 mm

Short Description: Actuator, Ø 19 mm, flush, illuminative, Yellow, Plastic, translucent, round, Black, Plastic, Soldering terminal, Yellow

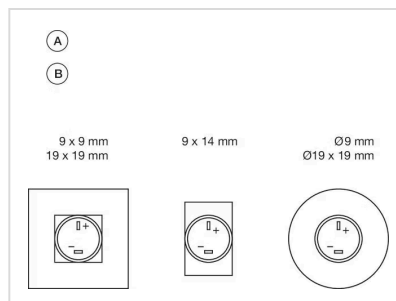
Mounting cut-outs:



Wiring diagrams:



Component layouts:



Dimension drawings:

