

# 17JE Series Hood Kit

## 17JE Series

DDK Ltd.

※ The connectors which are shown in the picture are supplied separately.



17JE-25H-1x-CF



17JE-09H-1x-CF



17JE-25LH-1x-CF

### FEATURE

- Hood is made with ABS resin. It is light-weight and compact
- Hood is metalized finish for EMI shield.

### MATERIAL/FINISH

ABS Resin / Ni Plating



▶ Connector and Hood Kit

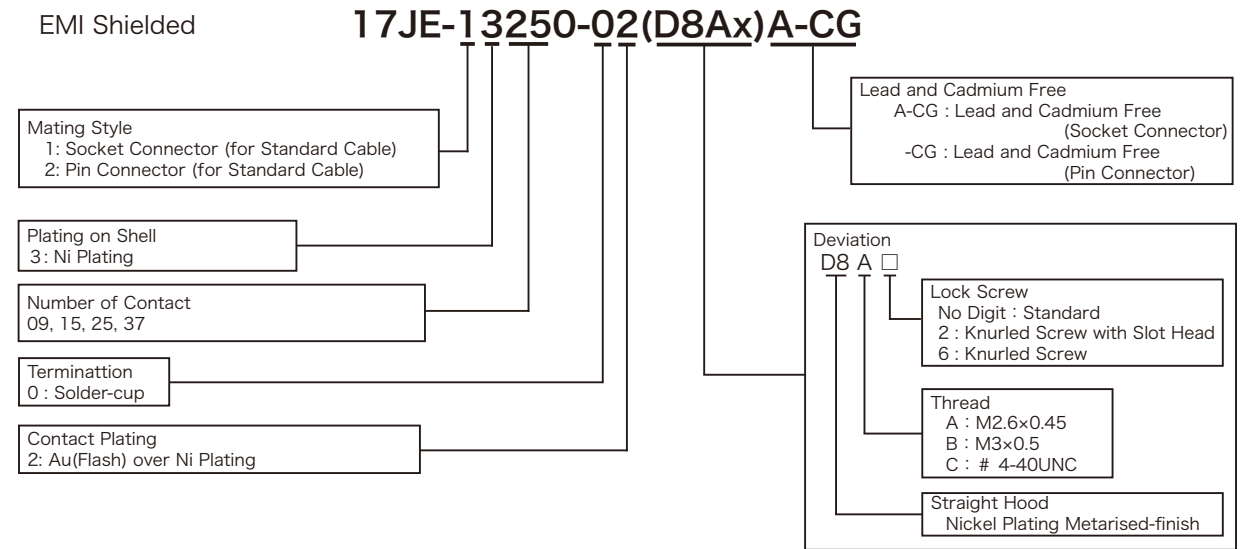
17JE(Solder Termination Type) and Hood kit Combination Part Number

Applicable Connector

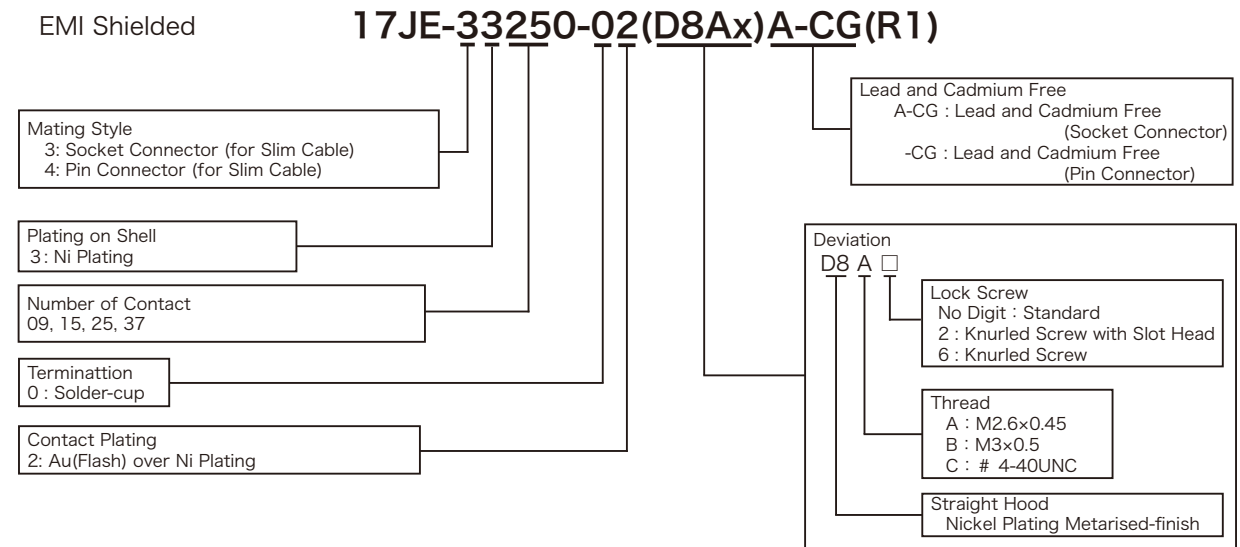
17JE Series Solder Termination

17DE Series Crimp Termination

Connector with Cable Hood Kit (Standard Cable)



Connector with Cable Hood Kit (Slim Cable)



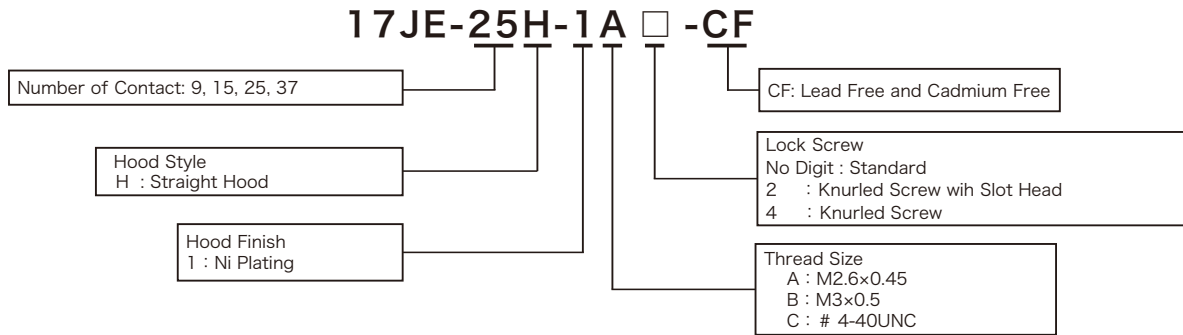
\* : (R1) of part name of 9 contacts is nothing.

Regarding the detail of 17JE solder type, please refer to 17JE Solder type catalogue.

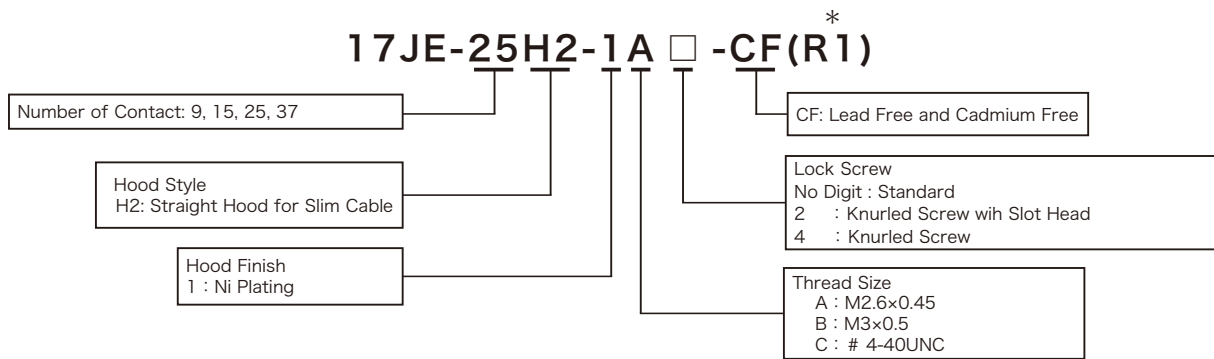
© Specifications and/or dimensions in this catalog are subject to change without notice.  
 Please verify the latest specifications with our drawings.

▶ Straight Hood

Straight Hood (Standard Type)



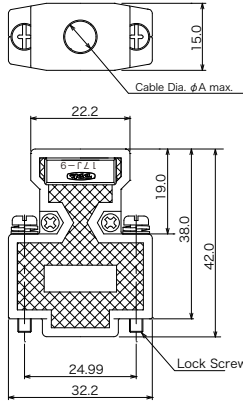
Straight Hood for Slim Cable



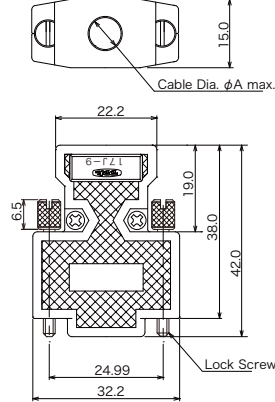
\* : (R1) of part name of 9 contacts is nothing.

▶ Straight Hood

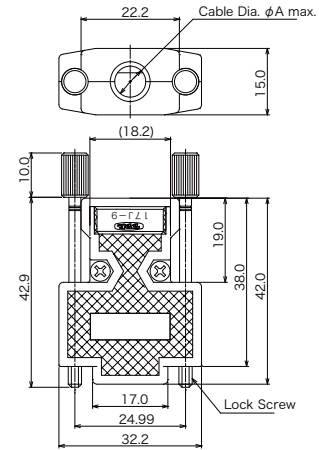
9 Contacts



17JE-09H-1 □ -CF



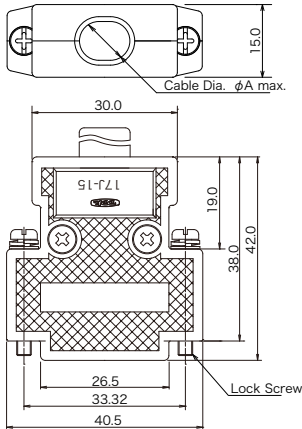
17JE-09H-1 □ 2-CF



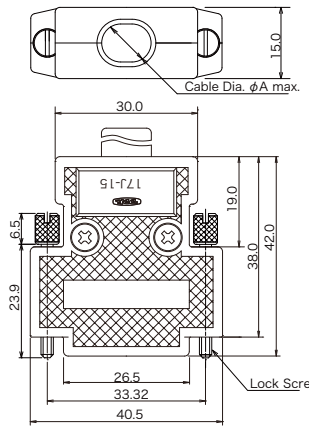
17JE-09H-1 □ 4-CF

Part Number	Cable Dia. φ A
17JE-09H-1 □□-CF	φ 7.5 max.
17JE-09H2-1 □□-CF	φ 5.1 max.

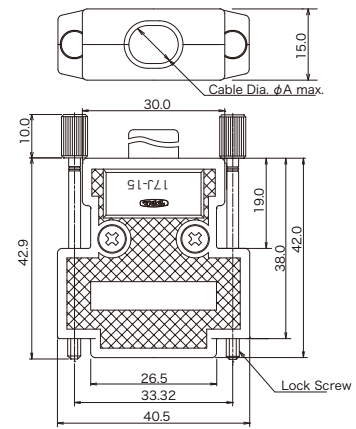
15 Contacts



17JE-15H-1 □ -CF



17JE-15H-1 □ 2-CF



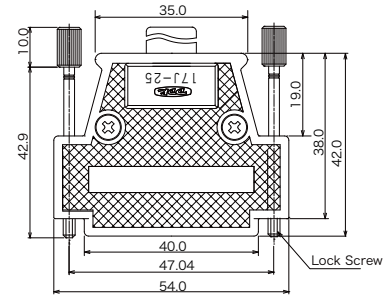
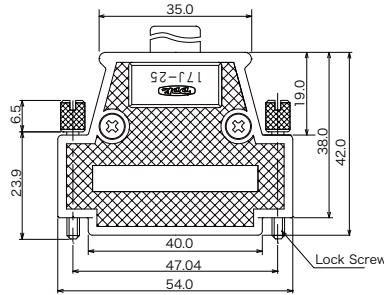
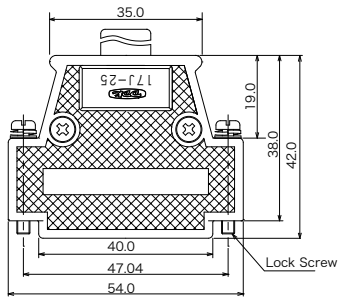
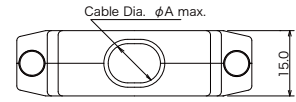
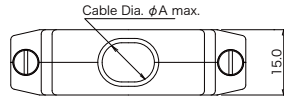
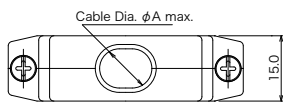
17JE-15H-1 □ 4-CF

Part Number	Cable Dia. φ A
17JE-15H-1 □□-CF	φ 8.0 max.
17JE-15H2-1 □□-CF(R1)	φ 5.7 max.

© Specifications and/or dimensions in this catalog are subject to change without notice.  
Please verify the latest specifications with our drawings.

▶ Straight Hood

25 Contacts



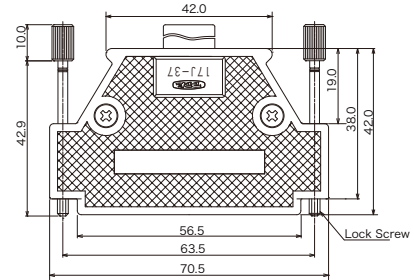
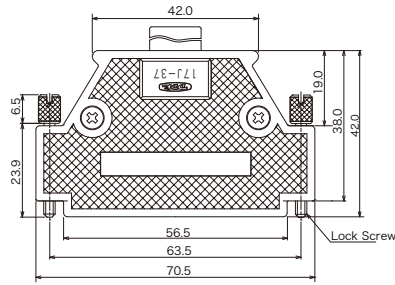
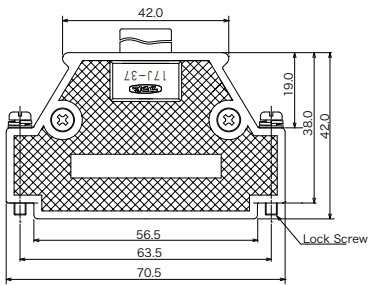
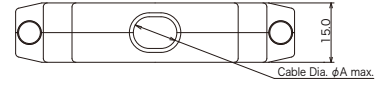
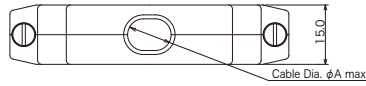
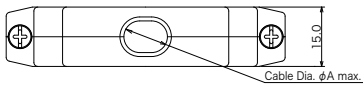
17JE-25H-1 □ -CF

17JE-25H-1 □ 2-CF

17JE-25H-1 □ 4-CF

Part Number	Cable Dia. $\phi A$
17JE-25H-1 □ □ -CF	$\phi$ 9.0 max.
17JE-25H2-1 □ □ -CF(R1)	$\phi$ 6.6 max.

37 Contacts



17JE-37H-1 □ -CF

17JE-37H-1 □ 2-CF

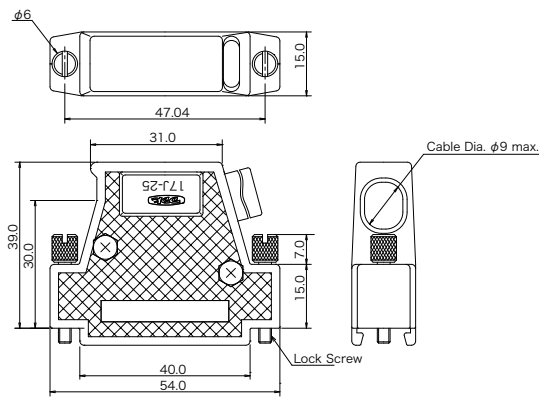
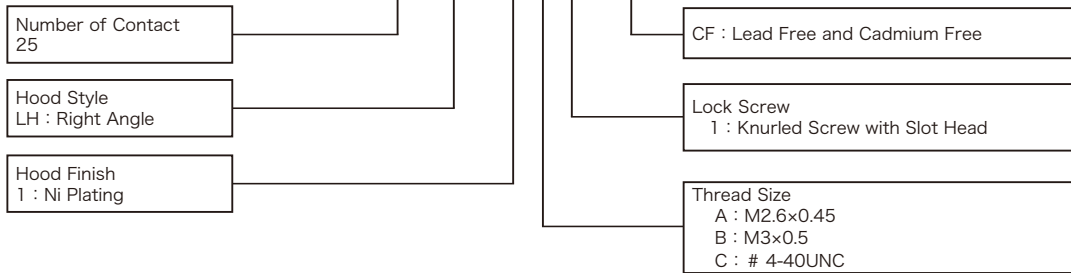
17JE-37H-1 □ 4-CF

Part Number	Cable Dia. $\phi A$
17JE-37H-1 □ □ -CF	$\phi$ 10.5 max.
17JE-37H2-1 □ □ -CF(R1)	$\phi$ 7.4 max.

▶ Right Angle Hood

※ This hood is not applicable to 17DE-13250-C and 17DE-23250-C.

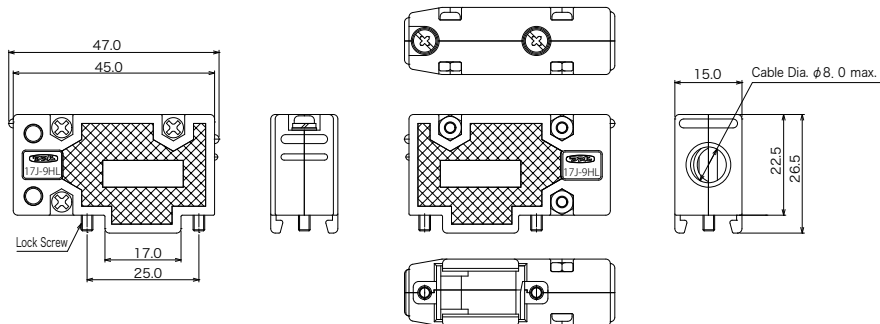
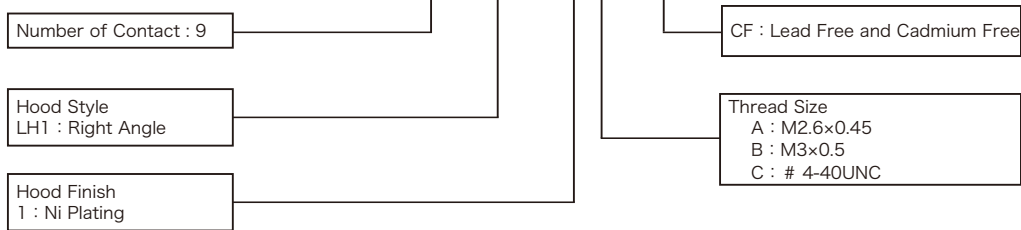
**17JE-25LH-1A1-CF**



17JE-25LH-1A1-CF

※ This hood is not applicable to 17DE-13090-C and 17DE-23090-C.

**17JE-09LH1-1A-CF**



© Specifications and/or dimensions in this catalog are subject to change without notice.  
Please verify the latest specifications with our drawings.

### Cable to cable connection

- We recommend to use the stud when a pair of cable connectors are mated.

