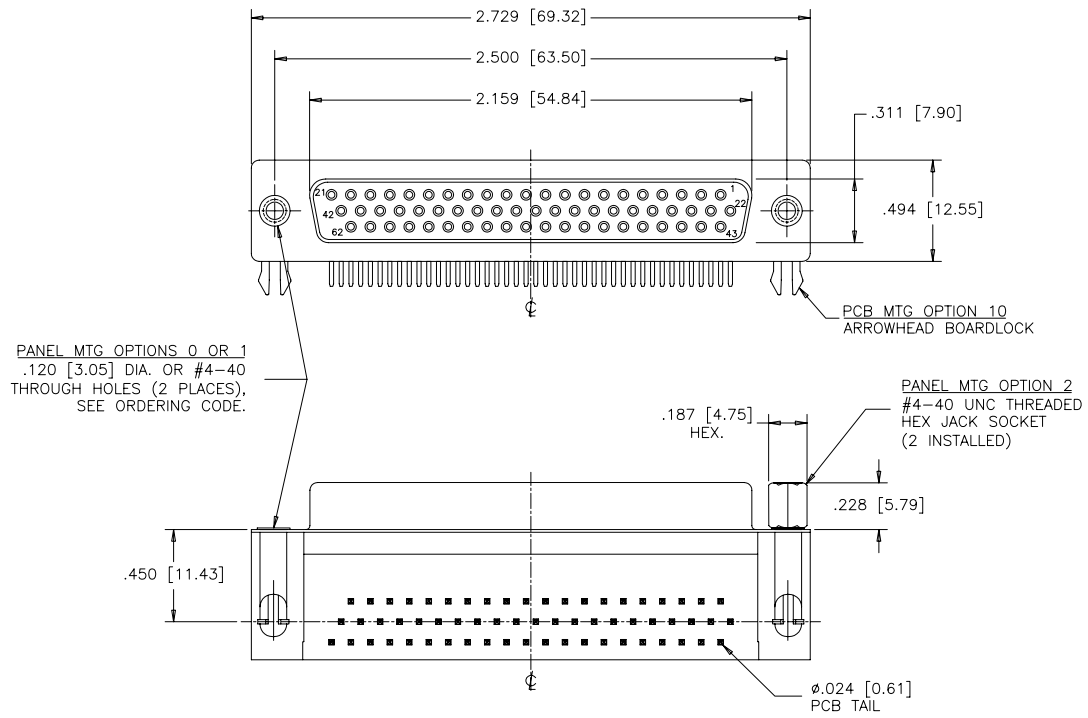
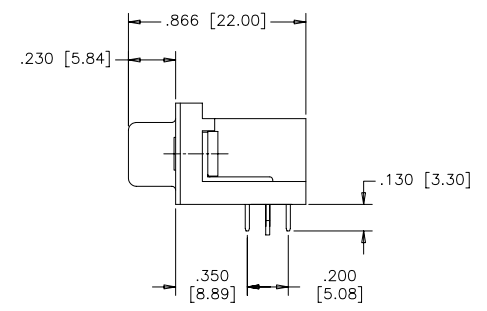


REVISIONS			
REV	ECN, ERN NO.	DATE	APPRD.
A	PRODUCT DRAWING (EAR 12992)	DEC12/06	K.L.

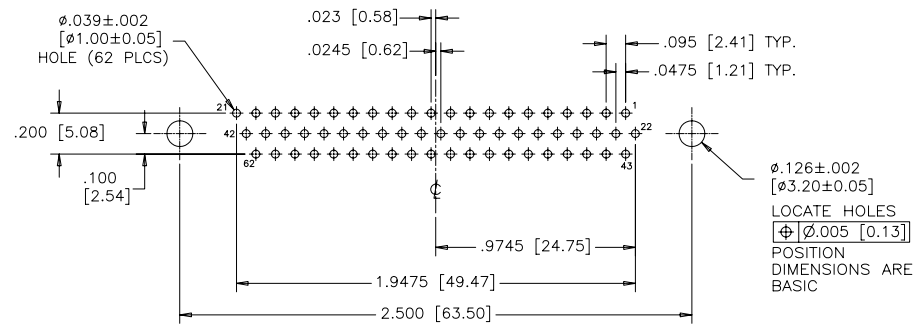
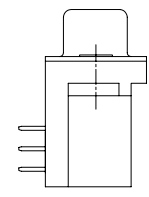
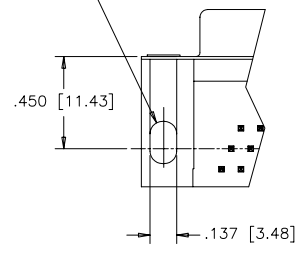


PANEL\_MTG\_OPTIONS\_0\_OR\_1  
 .120 [3.05] DIA. OR #4-40  
 THROUGH HOLES (2 PLACES).  
 SEE ORDERING CODE.

PANEL\_MTG\_OPTION\_2  
 #4-40 UNC THREADED  
 HEX JACK SOCKET  
 (2 INSTALLED)



PCB\_MTG\_OPTION\_00  
 CLEAR HOLE



RECOMMENDED P.C.B LAYOUT  
 (COMPONENT SIDE OF BOARD)

ORDERING CODE:

PART NUMBER: 1 7 E B H - 0 6 2 S A M - 2 1 0

- SERIES \_\_\_\_\_
- NUMBER OF CONTACTS \_\_\_\_\_
- STYLE \_\_\_\_\_
- CONTACT PLATING OPTIONS FOR ENGAGEMENT AREA \_\_\_\_\_
- PCB MOUNTING OPTIONS \_\_\_\_\_
- PANEL MOUNTING OPTIONS \_\_\_\_\_

SPECIFICATIONS:

- MATERIALS: ALL MATERIALS ARE RoHS COMPLIANT.
- SHELLS: STEEL, TIN PLATED.
- INSERTS: HIGH TEMPERATURE RESISTANT NYLON, GLASS REINFORCED, UL FLAMMABILITY RATING 94V-0, COLOUR: BLACK.
- CONTACTS: COPPER ALLOY, GOLD PLATING (SEE ORDERING CODE) OVER 50µ" [1.27 MICRONS] NICKEL ON ENGAGEMENT AREA WITH 100µ" [2.54 MICRONS] MIN. MATTE TIN ON CONTACT TERMINALS.
- BOARDLOCK: COPPER ALLOY, TIN PLATED.

ELECTRICAL DATA:

- CURRENT RATING: 3 AMP
- CONTACT RESISTANCE: 15 MILLIOHMS MAX.
- INSULATION RESISTANCE: 5000 MEGOHMS MIN.
- DIELECTRIC WITHSTANDING VOLTAGE: 1000 VAC rms
- OPERATING TEMPERATURE: -55°C TO +105°C

DRAWN	J.LEE	DATE	DEC12/06
DESIGNED			
CHECKED	K.LAMBIE	DATE	DEC12/06
I. E. APPRD.			
Q. A. APPRD.			
DWG. APPRD.			
ENG. REL. NO.			
REF.	EAR 12992		
DIMENSIONS ARE IN	INCHES [mm]	CODE ID. NO.	03554

Amphenol Canada Corp.  
 TITLE: 17EBH SERIES HIGH DENSITY D-SUB CONNECTOR, 62 SIZE SOCKET, RIGHT ANGLE PCB CONTACTS, PLATING & MOUNTING OPTIONS, RoHS COMPLIANT

DWG	DRAWING NO.	REV.
C	P-17EBH-062SXX-XX0	A
SCALE	2/1	WT. _____
SURF.	_____	SHEET 1 OF 1

THIS DOCUMENT CONTAINS PROPRIETARY INFORMATION AND SUCH INFORMATION MAY NOT BE DISCLOSED TO OTHERS FOR ANY PURPOSE OR USED FOR MANUFACTURING PURPOSES WITHOUT WRITTEN PERMISSION FROM AMPHENOL CANADA CORP.