

DFK-IPC 35 HC/ 4-GF-15,00 - Feed-through header



1784981

<https://www.phoenixcontact.com/pc/products/1784981>

Please be informed that the data shown in this PDF document is generated from our Online Catalog. Please find the complete data in the user documentation. Our General Terms of Use for Downloads are valid.



Feed-through header, nominal cross section: 35 mm², color: green, nominal current: 125 A, rated voltage (III/2): 1000 V, contact surface: Silver, type of contact: Socket, number of potentials: 4, number of rows: 1, number of positions: 4, number of connections: 4, product range: DFK-IPC 35 HC/...-GF, pitch: 15 mm, mounting: Wave soldering, pin layout: Linear pinning, solder pin [P]: 4.6 mm, number of solder pins per potential: 3, plug-in system: COMBICON PC 35, Pin connector pattern alignment: Standard, locking: Screw locking, mounting: Threaded flange, type of packaging: packed in cardboard

Your advantages

- Well-known mounting principle allows worldwide use
- Double flange for space-optimized screw connection on the housing panel and with the connector
- Inverted header with socket contacts for touch-proof device outputs or PCB/PCB connections
- Integrated double steel spring provides additional safety in the event of temperature and power fluctuations

Commercial Data

| | |
|--------------------------------------|--------------------------------|
| Item number | 1784981 |
| Packing unit | 25 pc |
| Minimum order quantity | 1 pc |
| Note | Made to Order (non-returnable) |
| Product Key | AAEWCB |
| Catalog Page | Page 593 (C-1-2013) |
| GTIN | 4046356561297 |
| Weight per Piece (including packing) | 123.668 g |
| Weight per Piece (excluding packing) | 123.668 g |
| Customs tariff number | 85366930 |
| Country of origin | PL |

DFK-IPC 35 HC/ 4-GF-15,00 - Feed-through header



1784981

<https://www.phoenixcontact.com/pc/products/1784981>

Technical Data

Product properties

| | |
|---------------------------|------------------------|
| Type | Feed-through header |
| Product line | COMBICON Connectors XL |
| Product type | Feed-through header |
| Product family | DFK-IPC 35 HC/...GF |
| Number of positions | 4 |
| Pitch | 15 mm |
| Number of connections | 4 |
| Number of rows | 1 |
| Mounting flange | Threaded flange |
| Number of potentials | 4 |
| Pin layout | Linear pinning |
| Solder pins per potential | 3 |

Electrical properties

| | |
|-----------------------------|--------|
| Nominal current I_N | 125 A |
| Nominal voltage U_N | 1000 V |
| Degree of pollution | 3 |
| Rated voltage (III/3) | 1000 V |
| Rated surge voltage (III/3) | 8 kV |
| Rated voltage (III/2) | 1000 V |
| Rated surge voltage (III/2) | 8 kV |
| Rated voltage (II/2) | 1000 V |
| Rated surge voltage (II/2) | 6 kV |

Mounting

| | |
|---------------|----------------|
| Mounting type | Wave soldering |
| Pin layout | Linear pinning |

Flange

| | |
|-------------------|--------|
| Tightening torque | 0.8 Nm |
|-------------------|--------|

Attachment to feed-through panel

| | |
|-------------------|----------------------|
| Tightening torque | 1 Nm |
| Screw | 1700368 DFK-PC 35 SS |

Attachment on the PCB

| | |
|-------------------|----------------------|
| Tightening torque | 1 Nm |
| Screw | 1700368 DFK-PC 35 SS |

Material specifications

Material data - contact

DFK-IPC 35 HC/ 4-GF-15,00 - Feed-through header



1784981

<https://www.phoenixcontact.com/pc/products/1784981>

| | |
|--|--|
| Note | WEEE/RoHS-compliant, free of whiskers according to IEC 60068-2-82/JEDEC JESD 201 |
| Contact material | Cu alloy |
| Metal surface contact area (top layer) | Silver (4 - 8 µm Ag) |

Material data - housing

| | |
|--|--------------|
| Color (Housing) | green (6021) |
| Insulating material | PBT |
| Insulating material group | IIIa |
| CTI according to IEC 60112 | 225 |
| Flammability rating according to UL 94 | V0 |

Notes

| | |
|--------------------|--|
| Notes on operation | In accordance with IEC 61984, COMBICON connectors have no switching power (COC). During designated use, they must not be plugged in or disconnected when carrying voltage or under load. |
|--------------------|--|

Dimensions

| | |
|-----------------------|---------|
| Dimensional drawing | |
| Pitch | 15 mm |
| Width [w] | 92.4 mm |
| Height [h] | 36.3 mm |
| Length [l] | 44.9 mm |
| Installed height | 31.7 mm |
| Solder pin length [P] | 4.6 mm |

Electrical tests

Air clearances and creepage distances |

| | |
|--|---------------------|
| Specification | IEC 60664-1:2007-04 |
| Insulating material group | IIIa |
| Comparative tracking index (IEC 60112) | CTI 225 |
| Rated insulation voltage (III/3) | 1000 V |
| Rated surge voltage (III/3) | 8 kV |
| minimum clearance value - non-homogenous field (III/3) | 8 mm |
| minimum creepage distance (III/3) | 16 mm |
| Rated insulation voltage (III/2) | 1000 V |
| Rated surge voltage (III/2) | 8 kV |
| minimum clearance value - non-homogenous field (III/2) | 8 mm |
| minimum creepage distance (III/2) | 10 mm |
| Rated insulation voltage (II/2) | 1000 V |

DFK-IPC 35 HC/ 4-GF-15,00 - Feed-through header



1784981

<https://www.phoenixcontact.com/pc/products/1784981>

| | |
|---|--------|
| Rated surge voltage (II/2) | 6 kV |
| minimum clearance value - non-homogenous field (II/2) | 5.5 mm |
| minimum creepage distance (II/2) | 10 mm |

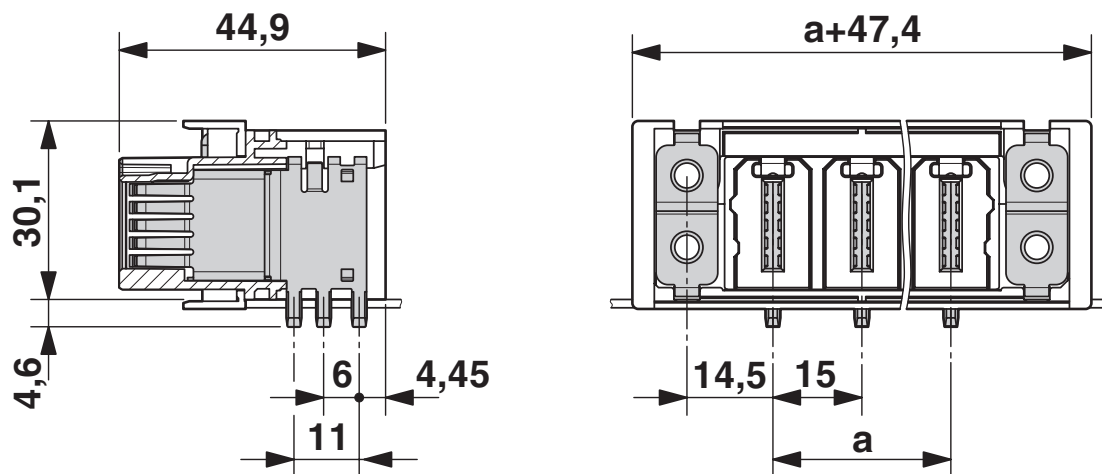
Environmental and real-life conditions

Ambient conditions

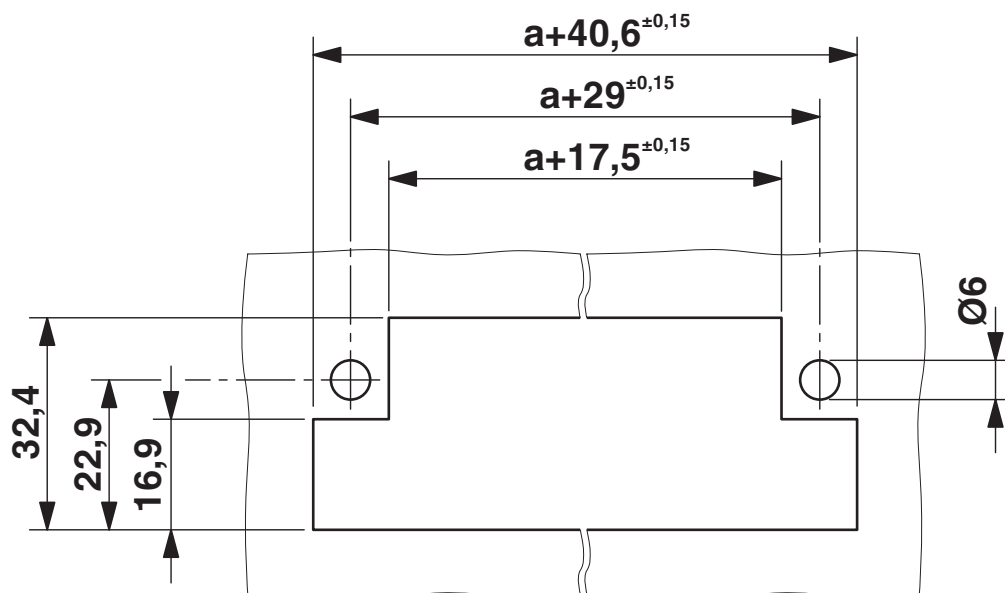
| | |
|---|---|
| Ambient temperature (operation) | -40 °C ... 100 °C (dependent on the derating curve) |
| Ambient temperature (storage/transport) | -40 °C ... 70 °C |
| Relative humidity (storage/transport) | 30 % ... 70 % |
| Ambient temperature (assembly) | -5 °C ... 100 °C |

Drawings

Dimensional drawing



Dimensional drawing



DFK-IPC 35 HC/ 4-GF-15,00 - Feed-through header





1784981


<https://www.phoenixcontact.com/pc/products/1784981>

Approvals

To download certificates, visit the product detail page: <https://www.phoenixcontact.com/pc/products/1784981>

|  UL Recognized Approval ID: E60425-20101007 | | | | |
|--|-----------------------|-----------------------|-------------------|-----------------------------|
| | Nominal Voltage U_N | Nominal Current I_N | Cross Section AWG | Cross Section mm^2 |
| Use group B | 600 V | 115 A | - | - |
| Use group C | 600 V | 115 A | - | - |

|  IECEE CB Scheme Approval ID: DE1-63848 | | | | |
|--|-----------------------|-----------------------|-------------------|-----------------------------|
| | Nominal Voltage U_N | Nominal Current I_N | Cross Section AWG | Cross Section mm^2 |
| | 1000 V | 125 A | - | - |

|  EAC Approval ID: B.01687 | | | | |
|--|--|--|--|--|
|--|--|--|--|--|

|  VDE Gutachten mit Fertigungsüberwachung Approval ID: 40039053 | | | | |
|---|-----------------------|-----------------------|-------------------|-----------------------------|
| | Nominal Voltage U_N | Nominal Current I_N | Cross Section AWG | Cross Section mm^2 |
| | 1000 V | 125 A | - | - |

1784981

<https://www.phoenixcontact.com/pc/products/1784981>

Classifications

ECLASS

| | |
|-------------|----------|
| ECLASS-11.0 | 27460201 |
| ECLASS-12.0 | 27460201 |
| ECLASS-13.0 | 27460201 |

ETIM

| | |
|----------|----------|
| ETIM 8.0 | EC002637 |
|----------|----------|

UNSPSC

| | |
|-------------|----------|
| UNSPSC 21.0 | 39121400 |
|-------------|----------|

DFK-IPC 35 HC/ 4-GF-15,00 - Feed-through header



1784981

<https://www.phoenixcontact.com/pc/products/1784981>

Environmental Product Compliance

| | |
|------------|---|
| China RoHS | Environmentally friendly use period: unlimited = EFUP-e |
| | No hazardous substances above threshold values |

DFK-IPC 35 HC/ 4-GF-15,00 - Feed-through header



1784981

<https://www.phoenixcontact.com/pc/products/1784981>

Accessories

CP-HC - Coding profile

1686478

<https://www.phoenixcontact.com/pc/products/1686478>



Coding profile, 4 coding profiles per strip, for insertion in coding keyways

IPC 35 HC/ 4-STF-15,00 - PCB connector

1784813

<https://www.phoenixcontact.com/pc/products/1784813>



PCB connector, nominal cross section: 35 mm², color: green, nominal current: 125 A, rated voltage (III/2): 1000 V, contact surface: Silver, type of contact: Pin, number of potentials: 4, number of rows: 1, number of positions: 4, number of connections: 4, product range: IPC 35 HC/..-STF, pitch: 15 mm, connection method: Screw connection with tension sleeve, screw head form: L Slotted, conductor/PCB connection direction: 0 °, locking clip: - without locking clip, plug-in system: COMBICON PC 35, locking: Screw locking, mounting: Screw flange, type of packaging: packed in cardboard

DFK-IPC 35 HC/ 4-GF-15,00 - Feed-through header



1784981

<https://www.phoenixcontact.com/pc/products/1784981>

IPC 35 HC/ 4-STF-SH-15,00 - PCB connector

1784842

<https://www.phoenixcontact.com/pc/products/1784842>



PCB connector, nominal cross section: 35 mm², color: green, nominal current: 125 A, rated voltage (III/2): 1000 V, contact surface: Silver, type of contact: Pin, number of potentials: 4, number of rows: 1, number of positions: 4, number of connections: 4, product range: IPC 35 HC/..-STF-SH, pitch: 15 mm, connection method: Screw connection with tension sleeve, screw head form: L Slotted, conductor/PCB connection direction: 0 °, locking clip: - without locking clip, plug-in system: COMBICON PC 35, locking: Screw locking, mounting: Screw flange, type of packaging: packed in cardboard

Phoenix Contact 2023 © - all rights reserved

<https://www.phoenixcontact.com>

PHOENIX CONTACT GmbH & Co. KG

Flachsmarktstraße 8

D-32825 Blomberg

+49 (0) 5235-3 00

info@phoenixcontact.com