



MIS

TE Internal #: 177534-3

Connector Assembly, Receptacle, Wire-to-Board, 3 Position, .098 in [2.5 mm] Centerline, Insulation Displacement (IDC), 1 Row, Black, MIS

[View on TE.com >](#)

Connectors > PCB Connectors > Wire-to-Board Connectors > Wire-to-Board Connector Assemblies & Housings



Connector Product Type: **Connector Assembly**

Connector & Housing Type: **Receptacle**

Connector System: **Wire-to-Board**

Number of Positions: **3**

Centerline (Pitch): **2.5 mm [.098 in]**

Features

Product Type Features

Connector Product Type	Connector Assembly
Connector & Housing Type	Receptacle
Connector System	Wire-to-Board
Sealable	No
Connector & Contact Terminates To	Wire & Cable

Configuration Features

Number of Positions	3
Number of Rows	1

Electrical Characteristics

Operating Voltage	250 VAC
-------------------	---------

Body Features

Primary Product Color	Black
-----------------------	-------

Contact Features

--	--



Contact Retention Within Housing	With
Contact Type	Socket
Contact Base Material	Phosphor Bronze
Contact Current Rating (Max)	3.5 A

Termination Features

Termination Method to Wire & Cable	Insulation Displacement (IDC)
------------------------------------	-------------------------------

Mechanical Attachment

Strain Relief	Without
Contact Retention Type Within Housing	Locking Lance
Panel Mount Feature	Without
Mating Retention	With
Connector Mounting Type	Cable Mount (Free-Hanging)

Housing Features

Housing Material	Nylon 66
Centerline (Pitch)	2.5 mm [.098 in]

Dimensions

Connector Length	10 mm [.394 in]
Connector Height	10.31 mm [.406 in]
Compatible Insulation Diameter Range	1 – 1.5 mm [.039 – .059 in]
Wire Size	.08 – .21 mm ²

Usage Conditions

Operating Temperature Range	-25 – 105 °C [-13 – 221 °F]
-----------------------------	-----------------------------

Operation/Application

Circuit Application	Signal
---------------------	--------

Industry Standards

Compatible With Agency/Standards Products	CSA
UL Flammability Rating	UL 94V-0

Packaging Features

Packaging Quantity	1000
Packaging Method	Bag

Product Compliance



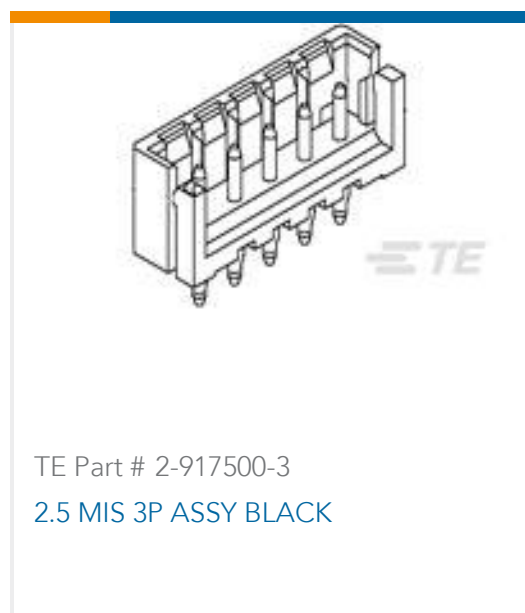
[For compliance documentation, visit the product page on TE.com>](#)

EU RoHS Directive 2011/65/EU	Compliant
EU ELV Directive 2000/53/EC	Compliant
China RoHS 2 Directive MIIT Order No 32, 2016	No Restricted Materials Above Threshold
EU REACH Regulation (EC) No. 1907/2006	Current ECHA Candidate List: JUNE 2023 (235) Candidate List Declared Against: JAN 2022 (223) Does not contain REACH SVHC
Halogen Content	Low Halogen - Br, Cl, F, I < 900 ppm per homogenous material. Also BFR/CFR/PVC Free
Solder Process Capability	Not applicable for solder process capability

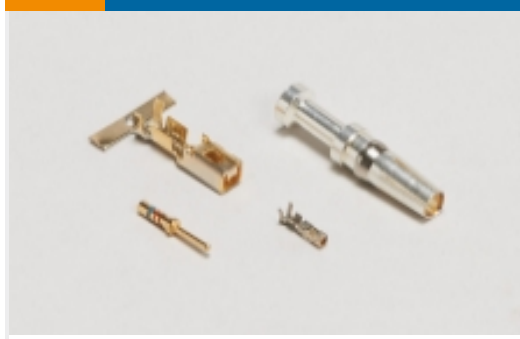
Product Compliance Disclaimer

This information is provided based on reasonable inquiry of our suppliers and represents our current actual knowledge based on the information they provided. This information is subject to change. The part numbers that TE has identified as EU RoHS compliant have a maximum concentration of 0.1% by weight in homogenous materials for lead, hexavalent chromium, mercury, PBB, PBDE, DBP, BBP, DEHP, DIBP, and 0.01% for cadmium, or qualify for an exemption to these limits as defined in the Annexes of Directive 2011/65/EU (RoHS2). Finished electrical and electronic equipment products will be CE marked as required by Directive 2011/65/EU. Components may not be CE marked. Additionally, the part numbers that TE has identified as EU ELV compliant have a maximum concentration of 0.1% by weight in homogenous materials for lead, hexavalent chromium, and mercury, and 0.01% for cadmium, or qualify for an exemption to these limits as defined in the Annexes of Directive 2000/53/EC (ELV). Regarding the REACH Regulation, the information TE provides on SVHC in articles for this part number is based on the latest European Chemicals Agency (ECHA) 'Guidance on requirements for substances in articles' posted at this URL: <https://echa.europa.eu/guidance-documents/guidance-on-reach>

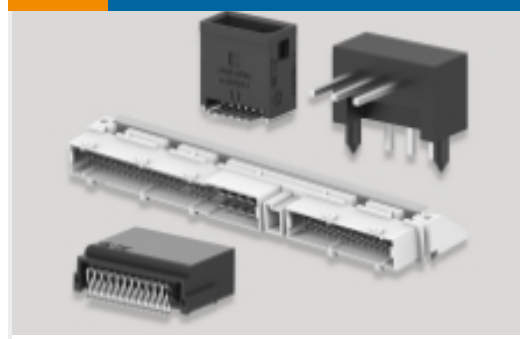
Compatible Parts



Also in the Series | MIS



Connector Contacts(1)



PCB Headers & Receptacles(23)



Wire-to-Board Connector Assemblies & Housings(11)

Customers Also Bought



TE Part #2301996-8
RJ45 JACK INT.MAG. 1GB LED 1X2



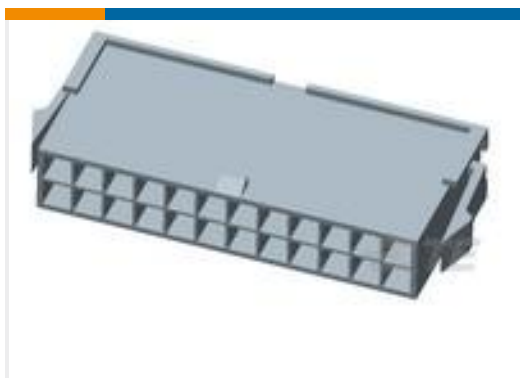
TE Part #5-2176364-1
RQ 0402 15K4 0.1% 10PPM 5K RL



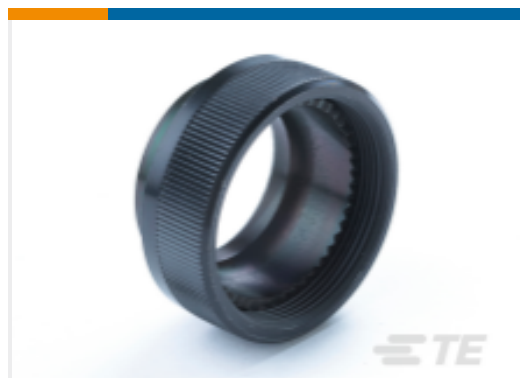
TE Part #787928-7
68 50SR R/A RECPT,REDESIGN



TE Part #EC9902-000
ZHD-SCE-1K-12.7-50-9



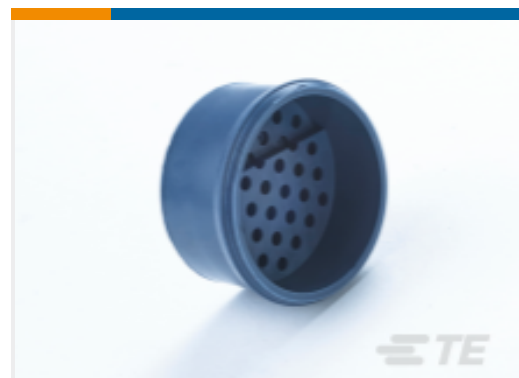
TE Part #1969605-2
2P PM PLUG VAL-U-LOK PM GW



TE Part #Y5015-000000078029
LOCKING BACK NUT



TE Part #Y5015-000000077956
GROMMET



TE Part #Y5015-000000077955
GROMMET



TE Part #3-647047-4
04P MTA100 HDR ASSY POL HT LF

Documents

Product Drawings

2.5 M.I.S REC ASSY 3P BLACK

English

CAD Files

3D PDF

3D



Customer View Model

[ENG_CVM_CVM_177534-3_W_c-177534-3-w.2d_dxf.zip](#)

English

Customer View Model

[ENG_CVM_CVM_177534-3_W_c-177534-3-w.3d_igs.zip](#)

English

Customer View Model

[ENG_CVM_CVM_177534-3_W_c-177534-3-w.3d_stp.zip](#)

English

By downloading the CAD file I accept and agree to the [Terms and Conditions](#) of use.

Product Specifications

[Application Specification](#)

English

[INSULATION DISPLACEMENT TERMINATION OF METRIC INTERCONNECT SYSTEM](#)

English

[Application Specification](#)

English

[INSULATION DISPLACEMENT TERMINATION OF METRIC INTERCONNECT SYSTEM](#)

Japanese

[Application Specification](#)

Japanese

Agency Approvals

[CSA Certificate](#)

English