



Connectors > PCB Connectors > Card Edge Connectors > PCI & PCI Express Connectors



Connector System: **Board-to-Board**
 Number of Positions: **120**
 Centerline (Pitch): **1.27 mm [.05 in]**
 Contact Mating Area Plating Material Thickness: **[30 µin]**
 PCB Mount Orientation: **Vertical**

Features

Product Type Features

Connector System	Board-to-Board
Connector & Contact Terminates To	Printed Circuit Board

Configuration Features

Number of PCB Mount Retention Features	2
Number of Positions	120
PCB Mount Orientation	Vertical
Ejector	Without

Electrical Characteristics

Operating Voltage	203 VAC
-------------------	---------

Body Features

PCB Retention Feature Material	Brass
PCB Retention Feature Plating Material	Tin
Product Weight	14.349 g
Bus Width	32 Bit

Contact Features



Contact Mating Area Plating Material	Gold
Contact Underplating Material	Nickel
PCB Contact Termination Area Plating Material	Tin
Contact Base Material	Phosphor Bronze
	30 µin

Termination Features

Termination Method to Printed Circuit Board	Surface Mount
---	---------------

Mechanical Attachment

PCB Mount Retention Type	Hold-Down Post
Connector Mounting Type	Board Mount

Housing Features

Housing Material	PA 46
Centerline (Pitch)	1.27 mm [.05 in]
Housing Color	Natural

Dimensions

Connector Length	84.84 mm [3.34 in]
PCB Thickness (Accepted)	1.57 mm [.062 in]
Connector Height	13.97 mm [.55 in]
Connector Width	8.88 mm [.35 in]

Usage Conditions

Operating Temperature Range	-55 – 85 °C [-67 – 185 °F]
-----------------------------	----------------------------

Operation/Application

Circuit Application	Signal
---------------------	--------

Industry Standards

Bus Type	PCI
----------	-----

Packaging Features

Packaging Quantity	32
Packaging Method	Box

Product Compliance

[For compliance documentation, visit the product page on TE.com>](#)



EU RoHS Directive 2011/65/EU	Compliant
EU ELV Directive 2000/53/EC	Compliant
China RoHS 2 Directive MIIT Order No 32, 2016	No Restricted Materials Above Threshold
EU REACH Regulation (EC) No. 1907/2006	Current ECHA Candidate List: JUNE 2022 (224) Candidate List Declared Against: JUNE 2022 (224) Does not contain REACH SVHC
Halogen Content	Not Low Halogen - contains Br or Cl > 900 ppm.
Solder Process Capability	Reflow solder capable to 245°C

Product Compliance Disclaimer

This information is provided based on reasonable inquiry of our suppliers and represents our current actual knowledge based on the information they provided. This information is subject to change. The part numbers that TE has identified as EU RoHS compliant have a maximum concentration of 0.1% by weight in homogenous materials for lead, hexavalent chromium, mercury, PBB, PBDE, DBP, BBP, DEHP, DIBP, and 0.01% for cadmium, or qualify for an exemption to these limits as defined in the Annexes of Directive 2011/65/EU (RoHS2). Finished electrical and electronic equipment products will be CE marked as required by Directive 2011/65/EU. Components may not be CE marked. Additionally, the part numbers that TE has identified as EU ELV compliant have a maximum concentration of 0.1% by weight in homogenous materials for lead, hexavalent chromium, and mercury, and 0.01% for cadmium, or qualify for an exemption to these limits as defined in the Annexes of Directive 2000/53/EC (ELV). Regarding the REACH Regulation, the information TE provides on SVHC in articles for this part number is based on the latest European Chemicals Agency (ECHA) 'Guidance on requirements for substances in articles' posted at this URL: <https://echa.europa.eu/guidance-documents/guidance-on-reach>

Compatible Parts



TE Part # 5145098-1
CONNECTOR ASSEMBLY, DUAL POSIT



TE Part # 5145165-8
CONNECTOR ASSEMBLY, 92 DUAL POSITION, .0



TE Part # 5145154-1
CONNECTOR, 60 DUAL POSITION, .



TE Part # 5650090-2
CONNECTOR ASSEMBLY, DUAL POSITIONS, .050



TE Part # 5145246-1
CONNECTOR ASSEMBLY, DUAL POSIT




TE Part # 5145169-8
CONNECTOR ASSEMBLY, DUAL POSITIONS, .050




TE Part # 5650090-9
CONNECTOR ASSEMBLY, DUAL POSIT



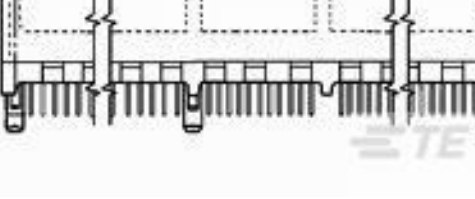
TE Part # 5-2337939-4
PCIe GEN4 CON,SMT,164POS,30u", MYLAR,HT

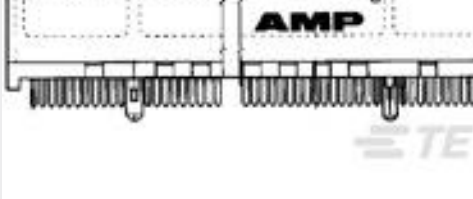
TE Part # 5145020-5
CONNECTOR ASSEMBLY, DUAL POSITIONS, .050



TE Part # 5145113-1
CONNECTOR ASSEMBLY, DUAL POSIT



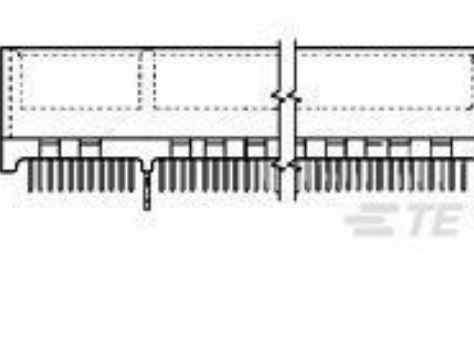
TE Part # 5145166-8
CONNECTOR ASSEMBLY, DUAL POSIT



TE Part # 5650706-2
CONNECTOR ASSEMBLY, DUAL POSIT



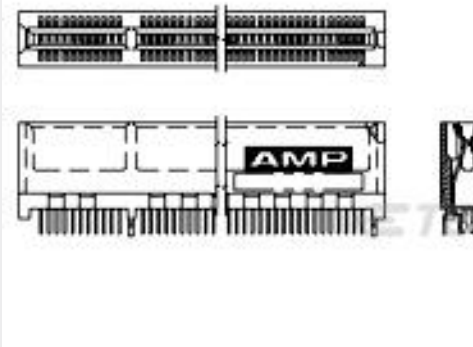
TE Part # 5650091-2
CONNECTOR ASSEMBLY, DUAL POSITIONS, .050




TE Part # 6489934-1
CONNECTOR ASSEMBLY, DUAL POSITIONS, .050



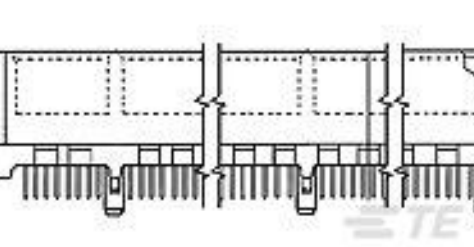
TE Part # 1734774-1
PCI EXP 3.1L 36 POS WHT G/F



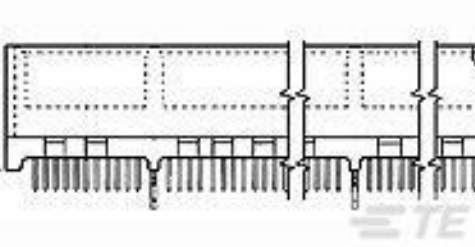
TE Part # 2007514-2
AMP .050C/L CEC 40 DUAL POS



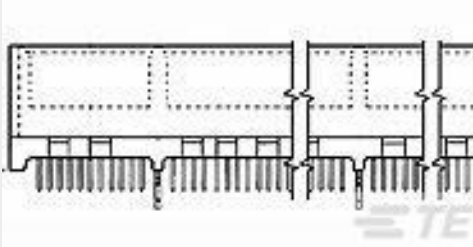
TE Part # 5145031-3
CONNECTOR ASSEMBLY, DUAL POSITIONS, .050



TE Part # 5145165-2
CONNECTOR ASSEMBLY, DUAL POSIT



TE Part # 5145168-1
CONNECTOR ASSEMBLY, DUAL POSITIONS, .050



TE Part # 5145168-2
CONNECTOR ASSEMBLY, DUAL POSIT

Customers Also Bought



TE Part #5227726-3
ISOLATED BNC SOLDER JACK ASSY



TE Part #5749621-2
26 50S CABLE PLUG CONN/COV KIT



TE Part #T4031017041-000
M8.FMLE.PNLREAR.4POS.STR



TE Part #1761608-9
IDC LOW PRO HDR 26P VERT SHT LAT BLK



TE Part #204370-8
CONT PIN,SZ 22D, NON-MAG



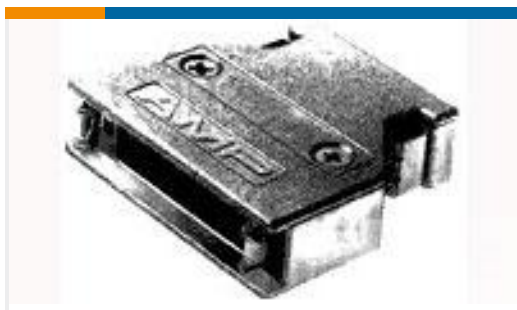
TE Part #292304-1
STD USB TYPE B, R/A, T/H



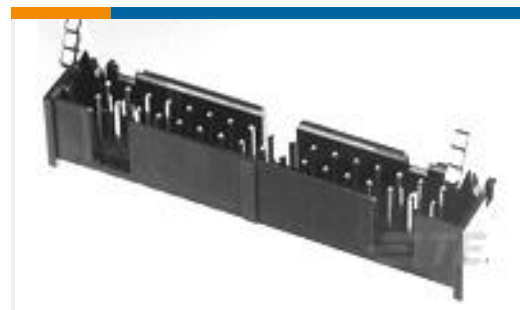
TE Part #1-338084-6
4/4 INV.MOD.JACK



TE Part #2-1676480-2
CRG0402 1% 1K0



TE Part #749608-2
26 50SR KIT, ST, UK



TE Part #1761608-3
IDC LOW PRO HDR 10P VERT SHT L

Documents

Product Drawings

[CONNECTOR ASSY, 60 DUAL POSITI](#)

English

CAD Files

[3D PDF](#)

3D

Customer View Model

[ENG_CVM_CVM_1761842-1_B.2d_dxf.zip](#)

English

Customer View Model

[ENG_CVM_CVM_1761842-1_B.3d_igs.zip](#)

English

Customer View Model

[ENG_CVM_CVM_1761842-1_B.3d_stp.zip](#)

English

By downloading the CAD file I accept and agree to the [Terms and Conditions](#) of use.

Product Specifications

[Application Specification](#)

English