

1761682-6 ✓ ACTIVE

## AMP-LATCH

TE Internal #: 1761682-6

Ribbon Cable Connectors, Wire-to-Board, 16 Position, 2.54mm [.1in] Centerline, Right Angle, Through Hole - Solder, Row-to-Row Spacing 2.54 mm [.1 in]

[View on TE.com >](#)



Connectors > PCB Connectors > Wire-to-Board Connectors > FFC, FPC & Ribbon Connectors > Ribbon Cable Connectors



Connector System: **Wire-to-Board**

Number of Positions: **16**

Centerline (Pitch): **2.54 mm [.1 in]**

PCB Mount Retention: **Without**

PCB Mount Orientation: **Right Angle**

### Features

#### Product Type Features

Connector Type	Header
Ribbon Cable Connector Header Type	Pin Header
Connector Product Type	Connector Assembly
Connector System	Wire-to-Board
Connector & Housing Type	Plug
Connector & Contact Terminates To	Printed Circuit Board

#### Configuration Features

Number of Positions	16
PCB Mount Orientation	Right Angle
Number of Rows	2

#### Electrical Characteristics

Insulation Resistance	5000 MΩ
Operating Voltage	250 VAC

#### Body Features

Daisy Chain	With
Connector Profile	Low

#### Contact Features

Mating Square Post Dimension	.64 mm[.025 in]
------------------------------	-----------------



PCB Contact Termination Area Plating Material Thickness	2.54 $\mu$ m[100 $\mu$ in]
---	----------------------------

Contact Type	Pin
--------------	-----

	15 $\mu$ in
--	-------------

Contact Mating Area Plating Material	Gold
--------------------------------------	------

Contact Shape & Form	Square
----------------------	--------

Contact Underplating Material	Nickel
-------------------------------	--------

PCB Contact Termination Area Plating Material	Tin
---	-----

Contact Base Material	Phosphor Bronze
-----------------------	-----------------

Contact Current Rating (Max)	1 A
------------------------------	-----

### Termination Features

Square Termination Post & Tail Dimension	.64 mm[.025 in]
--	-----------------

Termination Post & Tail Length	2.9 mm[.114 in]
--------------------------------	-----------------

Termination Method to Printed Circuit Board	Through Hole - Solder
---	-----------------------

### Mechanical Attachment

Mating Alignment	With
------------------	------

PCB Mount Alignment	Without
---------------------	---------

Panel Mount Feature	Without
---------------------	---------

PCB Mount Retention	Without
---------------------	---------

Mating Alignment Type	Center
-----------------------	--------

Mating Retention	Without
------------------	---------

Connector Mounting Type	Board Mount
-------------------------	-------------

### Housing Features

Mating Entry Location	Top
-----------------------	-----

Housing Material	PCT
------------------	-----

Housing Color	Black
---------------	-------

Centerline (Pitch)	2.54 mm[.1 in]
--------------------	----------------

### Dimensions

Shrouded End Dimension	3.81 mm[.15 in]
------------------------	-----------------

Connector Length	27.94 mm[1.1 in]
------------------	------------------

Connector Height	8.89 mm[.35 in]
------------------	-----------------

Row-to-Row Spacing	2.54 mm[.1 in]
--------------------	----------------

### Usage Conditions



Housing Temperature Rating	High
Operating Temperature Range	-65 – 105 °C[-85 – 221 °F]

### Operation/Application

Circuit Application	Signal
---------------------	--------

### Industry Standards

UL Flammability Rating	UL 94V-0
------------------------	----------

### Packaging Features

Packaging Quantity	50
Packaging Method	Package

### Other

Comment	For Use With AMP-Latch Receptacle
---------	-----------------------------------

## Product Compliance

[For compliance documentation, visit the product page on TE.com>](#)

EU RoHS Directive 2011/65/EU	Compliant
EU ELV Directive 2000/53/EC	Compliant
China RoHS 2 Directive MIIT Order No 32, 2016	No Restricted Materials Above Threshold
EU REACH Regulation (EC) No. 1907/2006	Current ECHA Candidate List: JUN 2020 (209) Candidate List Declared Against: JAN 2020 (205) Does not contain REACH SVHC
Halogen Content	Not Low Halogen - contains Br or Cl > 900 ppm.
Solder Process Capability	Wave solder capable to 265°C

#### Product Compliance Disclaimer

This information is provided based on reasonable inquiry of our suppliers and represents our current actual knowledge based on the information they provided. This information is subject to change. The part numbers that TE has identified as EU RoHS compliant have a maximum concentration of 0.1% by weight in homogenous materials for lead, hexavalent chromium, mercury, PBB, PBDE, DBP, BBP, DEHP, DIBP, and 0.01% for cadmium, or qualify for an exemption to these limits as defined in the Annexes of Directive 2011/65/EU (RoHS2). Finished electrical and electronic equipment products will be CE marked as required by Directive 2011/65/EU. Components may not be CE marked. Additionally, the part numbers that TE has identified as EU ELV compliant have a maximum concentration of 0.1% by weight in homogenous materials for lead, hexavalent chromium, and mercury, and 0.01% for cadmium, or qualify for an exemption to these limits as defined in the Annexes of Directive 2000/53/EC (ELV). Regarding the REACH Regulation, the information TE provides on SVHC in articles for this part number is based on the latest European Chemicals Agency (ECHA) 'Guidance on requirements for substances in articles' posted at this URL: <https://echa.europa.eu/guidance-documents/guidance-on-reach>

## Compatible Parts



TE Model / Part # 1-1658526-1  
609-1641LF FEM SOCKET, LEAD FREE



TE Model / Part # 1658527-6  
622-1630LF FEM SOCKET, LEAD FREE



TE Model / Part # 1658620-3  
16 NOVO MIL 15DP, LEAD FREE



TE Model / Part # 2-1658526-9  
609-1630LF=FSKT IDC S 16 30AU



TE Model / Part # 1658527-7  
622-1641LF FEM SOCKET, LEAD FREE



TE Model / Part # 1658623-3  
16 NOVO MIL 30DP, LEAD FREE



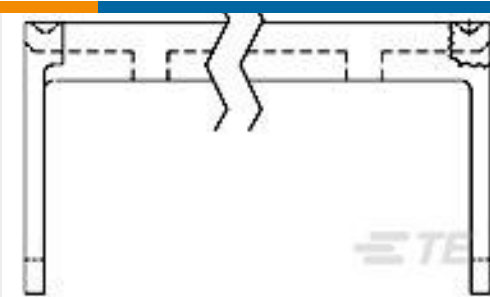
TE Model / Part # 1658621-3  
16 NOVO MIL/CTR 15DP, LEAD FREE



TE Model / Part # 499252-8  
016 STRAIN RELIEF A-L RCPT



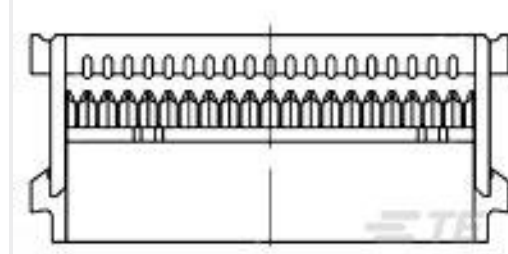
TE Model / Part # 1658528-5  
636-2641LF FEM SOCKET, LEAD FREE



TE Model / Part # 6-1437020-6  
609-1631HD=FSKT IDC S 16 SR



TE Model / Part # 1658622-3  
16 NOVO MIL/CTR 30DP, LEAD FREE



TE Model / Part # 1-1658526-0  
609-1601MLF FEM SCKT, LEAD FREE



TE Model / Part # 1-1658528-4  
636-1630LF=FEM SKT BLADE POL 1



TE Model / Part # 2-1658528-7  
636-1641LSLF FEMALE SOCKET CON

## Customers Also Bought



TE Model / Part #8-1614349-2  
RN 0603 5R62 0.1% 10PPM 1K RL



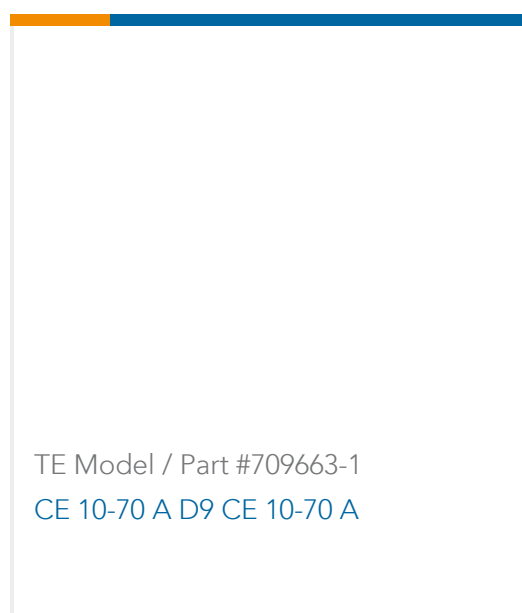
TE Model / Part #YDTS20Z19-35SNV001  
RECP ASSY



TE Model / Part #8-1614349-0  
RN 0603 5R36 0.1% 10PPM 1K RL



TE Model / Part #ZPF000000000004900  
901-21 B 61



## Documents

### Product Drawings

[IDC LOW PRO HDR 16P RA HT BLACK](#)

English

### CAD Files

[3D PDF](#)

3D

Customer View Model

[ENG\\_CVM\\_CVM\\_1761682-6\\_A.2d\\_dxf.zip](#)

English

Customer View Model

[ENG\\_CVM\\_CVM\\_1761682-6\\_A.3d\\_igs.zip](#)

English

Customer View Model

[ENG\\_CVM\\_CVM\\_1761682-6\\_A.3d\\_stp.zip](#)

English

By downloading the CAD file I accept and agree to the [Terms and Conditions](#) of use.

### Product Specifications

[Product Specification](#)

English

### Product Environmental Compliance

[MD\\_1761682-6\\_092020112342](#)

English

[MD\\_1761682-6\\_092020112342](#)

English

1761682-6

Ribbon Cable Connectors, Wire-to-Board, 16 Position, 2.54mm [.1in] Centerline, Right Angle, Through Hole - Solder, Row-to-Row Spacing 2.54 mm [.1 in]



[Agency Approvals](#)

[UL Report](#)

English