



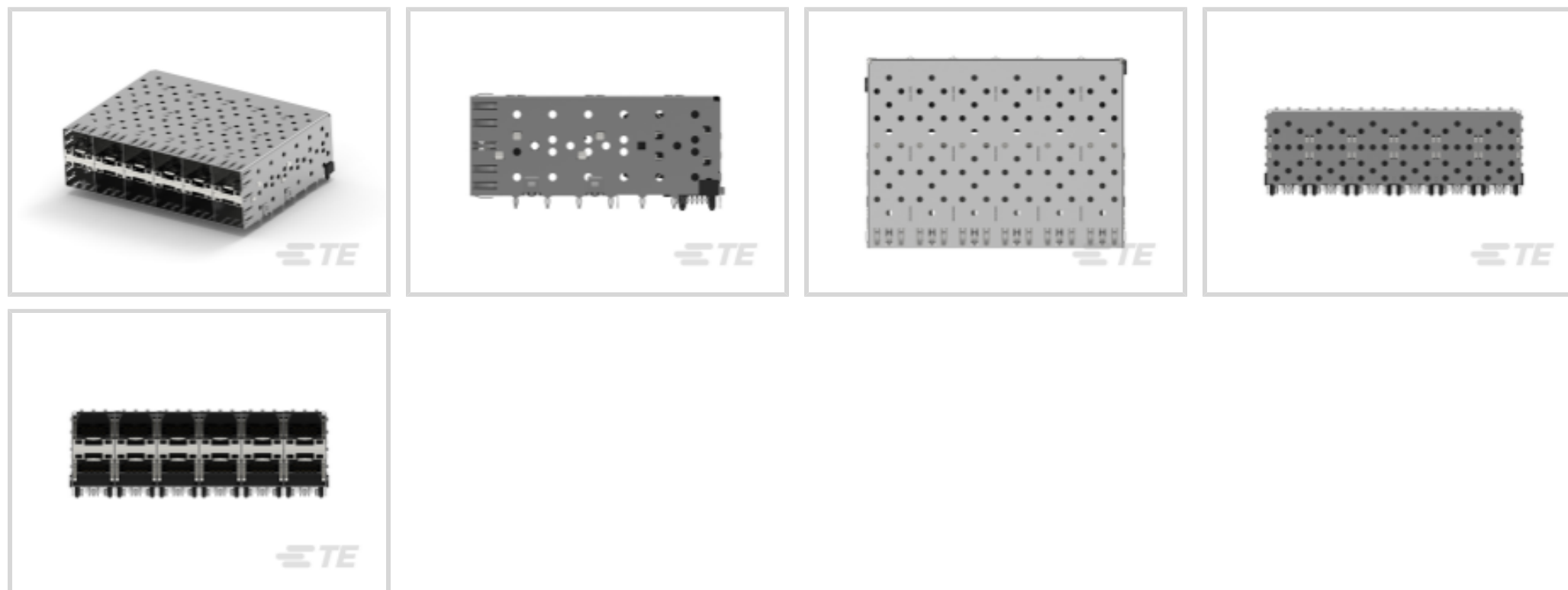
SFP28

TE Internal #: 1761327-2

SFP, Cage Assembly, .031in [.8mm] Centerline, Signal, Operating Temperature Range -55 – 105 °C [-67 – 221 °F], Data Rate (Max) 16 Gb/s, 240 Position

[View on TE.com >](#)

Connectors > Pluggable IO Connectors & Cages > SFP+ Stacked Cage Assemblies



Pluggable I/O Product Type: **Cage Assembly**

Number of Positions: **240**

Centerline (Pitch): **.8 mm [.031 in]**

Data Rate (Max): **16 Gb/s**

Sealable: **No**

[All SFP+ Stacked Cage Assemblies \(122\)](#)

Features

Product Type Features

Cage Type	Ganged
Pluggable I/O Product Type	Cage Assembly
Sealable	No
Form Factor	SFP

Configuration Features

Number of Positions	240
Number of Ports	12
Port Matrix Configuration	2 x 6

Electrical Characteristics

Data Rate (Max)	16 Gb/s
-----------------	---------

Termination Features

Termination Method to Printed Circuit Board	Through Hole - Press-Fit
---	--------------------------



Housing Features

Centerline (Pitch)	.8 mm [.031 in]
--------------------	-----------------

Usage Conditions

Operating Temperature Range	-55 – 105 °C [-67 – 221 °F]
-----------------------------	-----------------------------

Operation/Application

Pluggable I/O Applications	SFP
Circuit Application	Signal

Other

Included Lightpipe	No
EMI Containment Feature Type	Internal/External EMI Springs

Product Compliance

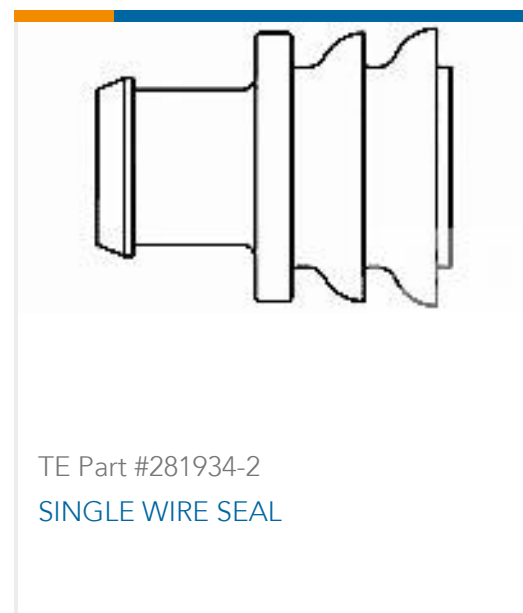
[For compliance documentation, visit the product page on TE.com>](#)

EU RoHS Directive 2011/65/EU	Compliant
EU ELV Directive 2000/53/EC	Compliant
China RoHS 2 Directive MIIT Order No 32, 2016	No Restricted Materials Above Threshold
EU REACH Regulation (EC) No. 1907/2006	Current ECHA Candidate List: JUNE 2023 (235) Candidate List Declared Against: JUNE 2023 (235) Does not contain REACH SVHC
Halogen Content	Not Low Halogen - contains Br or Cl > 900 ppm.
Solder Process Capability	Not applicable for solder process capability

Product Compliance Disclaimer

This information is provided based on reasonable inquiry of our suppliers and represents our current actual knowledge based on the information they provided. This information is subject to change. The part numbers that TE has identified as EU RoHS compliant have a maximum concentration of 0.1% by weight in homogenous materials for lead, hexavalent chromium, mercury, PBB, PBDE, DBP, BBP, DEHP, DIBP, and 0.01% for cadmium, or qualify for an exemption to these limits as defined in the Annexes of Directive 2011/65/EU (RoHS2). Finished electrical and electronic equipment products will be CE marked as required by Directive 2011/65/EU. Components may not be CE marked. Additionally, the part numbers that TE has identified as EU ELV compliant have a maximum concentration of 0.1% by weight in homogenous materials for lead, hexavalent chromium, and mercury, and 0.01% for cadmium, or qualify for an exemption to these limits as defined in the Annexes of Directive 2000/53/EC (ELV). Regarding the REACH Regulation, the information TE provides on SVHC in articles for this part number is based on the latest European Chemicals Agency (ECHA) 'Guidance on requirements for substances in articles' posted at this URL: <https://echa.europa.eu/guidance-documents/guidance-on-reach>

Customers Also Bought



Documents

Product Drawings

[2X6 CAGE AND PT CONNECTOR ASSY, STD PROF](#)

English

CAD Files

[3D PDF](#)

3D

Customer View Model

[ENG_CVM_CVM_1761327-2_A.2d_dxf.zip](#)

English

Customer View Model

[ENG_CVM_CVM_1761327-2_A.3d_igs.zip](#)

English

Customer View Model

[ENG_CVM_CVM_1761327-2_A.3d_stp.zip](#)

English

By downloading the CAD file I accept and agree to the [Terms and Conditions](#) of use.

Product Specifications

[Application Specification](#)

English