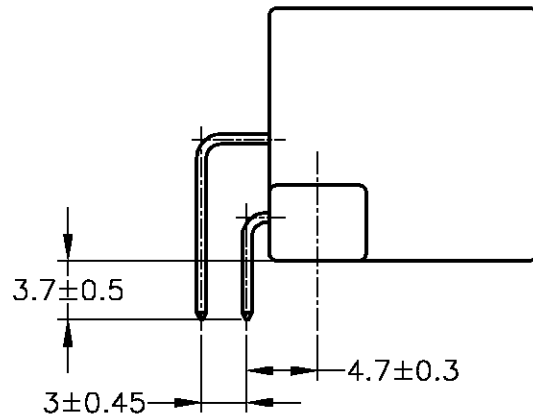
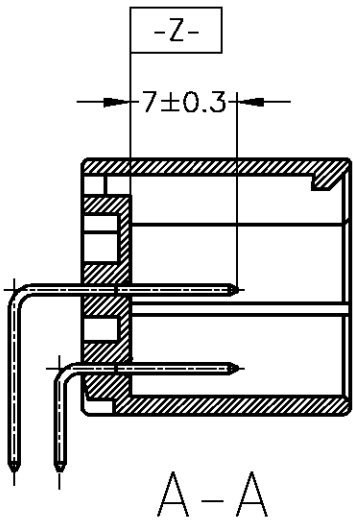
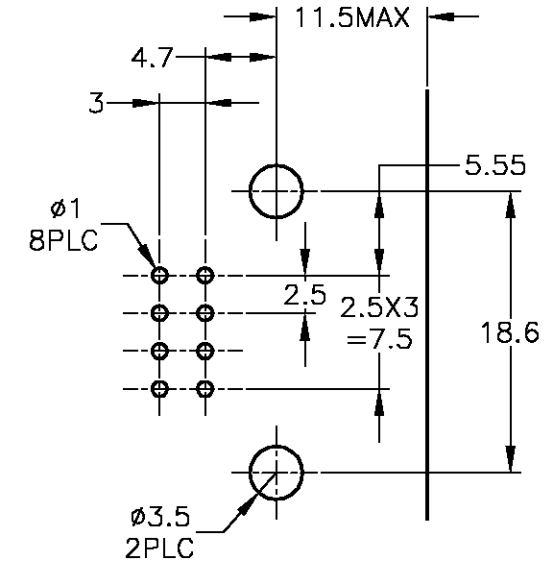
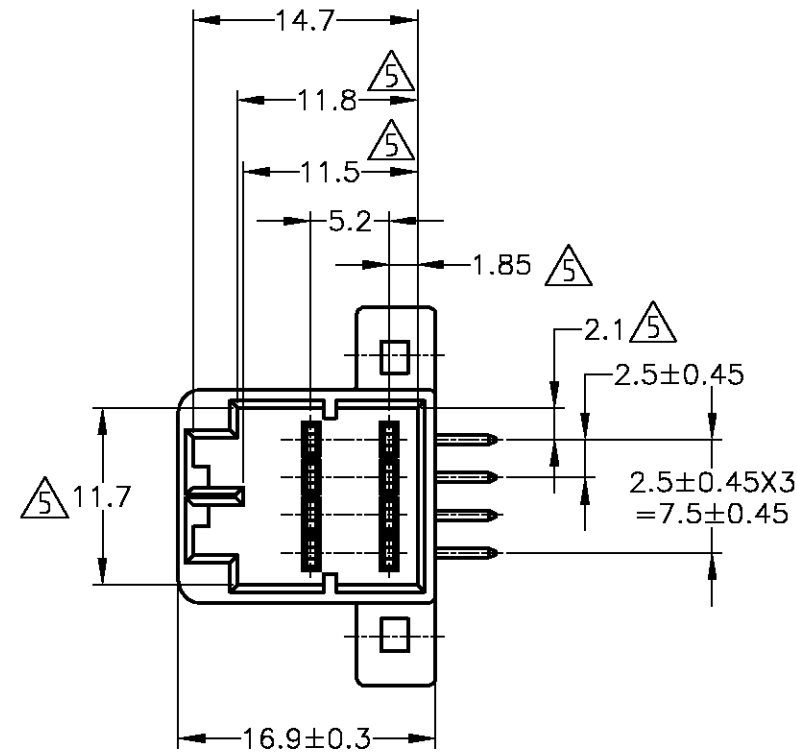
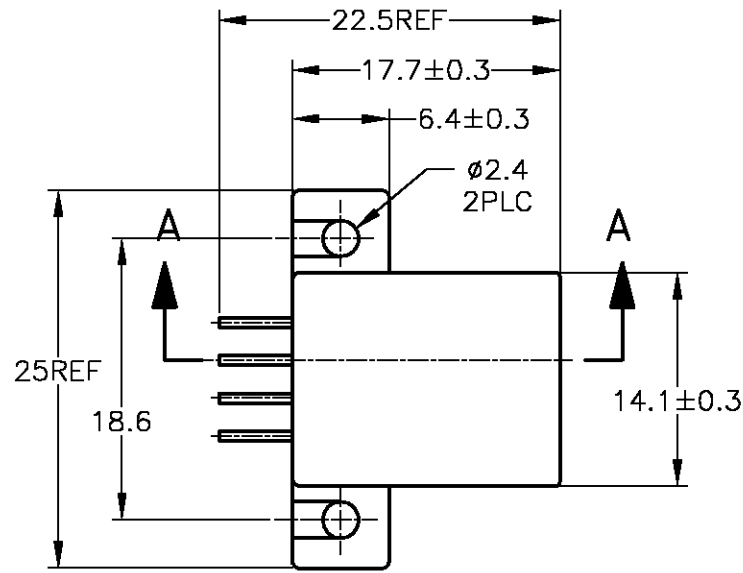
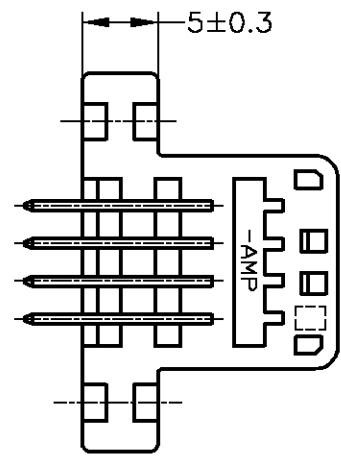


THIS DRAWING IS UNPUBLISHED. RELEASED FOR PUBLICATION  
 © COPYRIGHT BY TYCO ELECTRONICS CORPORATION. ALL RIGHTS RESERVED.

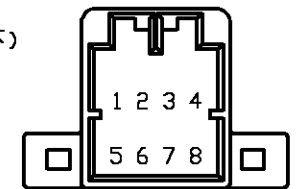
LOC	DIST	REVISIONS					
J	-	P	LTR	DESCRIPTION	DATE	DWN	APVD
		D5		OBSOLETE 2-175973-2 ECR-06-009400	19APR06	TS	KB

プリント基板取付け寸法  
 (MOUNTING DIMENSION FOR P.C.BOARD)  
 (公差は累積しないこと)  
 (NON ACCUMULATE TOLERANCE)  
 (公差±0.1)  
 (TOLERANCE ±0.1)



1. APPLICABLE P.C.B BOARD THICKNESS; 1.6mm
  2. RECOMMENDED MOUNTING SCREW 3mm DIA 6mm LENGTH (MIN)  
TAPPING SCREW SPECIFIED IN JIS B1115, B1122  
(TIGHTENING TORQUE; 0.392N·m MAX)
  3. THE MATING PLUG HSG. PART NUMBER; 175964
  4. APPLICABLE PRODUCT SPEC NO.; 108-5281
- △5 TO BE MEASURED WITHIN 2mm FROM -Z-  
 △6 CIRCUIT NUMBER

1. 適用プリント基板厚; 1.6mm
  2. 推奨取付ネジ; JIS B1115, B1122 タッピングネジ  
ナベ2種呼び径3, 長さ6mm以上 (締付トルク; 0.392N·m 以下)
  3. 嵌合相手ハウジング; 175964
  4. 適用製品規格番号; 108-5281
- △5 -Z- 面より2mmの範囲で測定  
 △6 回路番号; 右図参照



OBSOLETE	SELECTIVE-TIN	PRE-TIN	///	BLACK 黒色	2-175973-2
	TIN-LEAD	SELECTIVE-GOLD X 8	1~8	BLACK 黒色	1-175973-2
	SELECTIVE-TIN (MATTE)	SELECTIVE-TIN (BRIGHT)	///	BLACK 黒色	175973-4
	PRE-TIN X 5		4, 7, 8	BLACK 黒色	175973-3
	TIN-LEAD	SELECTIVE-GOLD X 3	///	BLACK 黒色	175973-2
	PRE-TIN		///	GRAY 灰色	175973-1
	PRE-TIN		///		
	半田付け部 SOLDERING SIDE	接触部削 CONTACT SIDE	CIRCUIT NO OF GOLD PLATED CONTACT △6 金メッキ端子使用回路番号	HOUSING COLOR ハウジング色	PN 型番
	FINISH OF CONTACT コンタクト仕上げ				

THIS DRAWING IS A CONTROLLED DOCUMENT.

DWN T.SHINOHARA 12FEB02	Tyco Electronics AMP K.K. Kawasaki, Japan	
CHK A.YAMAGUCHI 12FEB02		
APVD K.BETSUI 12FEB02		
DIMENSIONS: 単位: 概 MM	TOLERANCES UNLESS OTHERWISE SPECIFIED: 一般公差	NAME 名称 040 SERIES MULTI-LOCK I/O CONN MK-II 8POSITION CAP HOUSING ASSEMBLY
	0 PLC ±- 1 PLC ±- 2 PLC ±- 3 PLC ±- 4 PLC ±- ANGLES ±-	PRODUCT SPEC 製品規格 SEE NOTE 4 APPLICATION SPEC 取付適用規格
MATERIAL 材料 HSG: PBT CONT: BRASS	FINISH 仕上 SEE TABLE	SIZE A3 CAGE CODE 00779 DRAWING NO C-175973 RESTRICTED TO -
TOLERANCE UNLESS OTHERWISE SPECIFIED: 一般公差		SCALE 2:1 SHEET 1 OF 1 REV D5
0 < x ≤ 10 : ±0.2 10 < x ≤ 30 : ±0.25 30 < x ≤ 100 : ±0.3 ANGLE ; ±3° 角度		CUSTOMER DRAWING