

174929-1 ✓ ACTIVE

AMP | Multilock Connector System

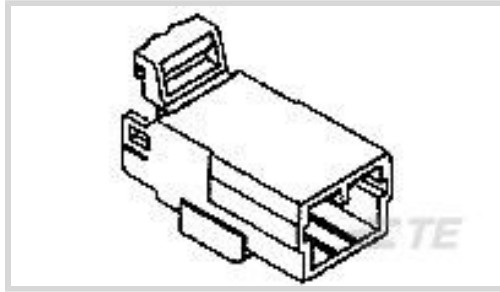
TE Internal #: 174929-1

Wire-to-Wire, 4 Position, 3.5 mm [.138 in] Centerline, Signal, White, Bag, Multilock Connector System

[View on TE.com >](#)



Connectors > PCB Connectors > PCB Headers & Receptacles



Connector System: **Wire-to-Wire**

Number of Positions: **4**

Centerline (Pitch): **3.5 mm [.138 in]**

Sealable: **No**

Number of Rows: **1**

## Features

### Product Type Features

Mixed & Hybrid Header	No
Connector Shape	Rectangular
Connector System	Wire-to-Wire
Sealable	No

### Configuration Features

Number of Positions	4
Number of Rows	1

### Electrical Characteristics

Nominal Voltage Architecture	12 V
Operating Voltage	12 VAC

### Body Features

Primary Product Color	White
-----------------------	-------

### Contact Features

Contact Size	1.8mm
Contact Type	Tab
Mating Tab Width	1.8 mm[.071 in]

### Mechanical Attachment

Mating Alignment Type	Polarized
-----------------------	-----------



Mating Alignment	With
Connector Mounting Type	Cable Mount (Free-Hanging)

### Housing Features

Centerline (Pitch)	3.5 mm [.138 in]
--------------------	------------------

### Dimensions

Connector Length	17.8 mm [.701 in]
Connector Height	31.4 mm [1.236 in]
Connector Width	14.3 mm [.563 in]

### Usage Conditions

Operating Temperature Range	-30 – 105 °C [-22 – 221 °F]
-----------------------------	-----------------------------

### Operation/Application

Circuit Application	Signal
---------------------	--------

### Industry Standards

UL Flammability Rating	UL 94HB
------------------------	---------

### Packaging Features

Packaging Quantity	250
Packaging Method	Bag

### Other

Interface Number	174922
------------------	--------

## Product Compliance

[For compliance documentation, visit the product page on TE.com>](#)

EU RoHS Directive 2011/65/EU	Compliant
EU ELV Directive 2000/53/EC	Compliant
China RoHS 2 Directive MIIT Order No 32, 2016	No Restricted Materials Above Threshold
EU REACH Regulation (EC) No. 1907/2006	Current ECHA Candidate List: JUNE 2024 (241) Candidate List Declared Against: JAN 2024 (240) Does not contain REACH SVHC
Halogen Content	Low Halogen - Br, Cl, F, I < 900 ppm per homogenous material. Also BFR/CFR/PVC Free
Solder Process Capability	Not applicable for solder process capability

Product Compliance Disclaimer

This information is provided based on reasonable inquiry of our suppliers and represents our current actual knowledge based on the information they provided. This information is subject to change. The part numbers that TE has identified as EU RoHS compliant have a maximum concentration of 0.1% by weight in homogenous materials for lead, hexavalent chromium, mercury, PBB, PBDE, DBP, BBP, DEHP, DIBP, and 0.01% for cadmium, or qualify for an exemption to these limits as defined in the Annexes of Directive 2011/65/EU (RoHS2). Finished electrical and electronic equipment products will be CE marked as required by Directive 2011/65/EU. Components may not be CE marked. Additionally, the part numbers that TE has identified as EU ELV compliant have a maximum concentration of 0.1% by weight in homogenous materials for lead, hexavalent chromium, and mercury, and 0.01% for cadmium, or qualify for an exemption to these limits as defined in the Annexes of Directive 2000/53/EC (ELV). Regarding the REACH Regulation, the information TE provides on SVHC in articles for this part number is based on the latest European Chemicals Agency (ECHA) 'Guidance on requirements for substances in articles' posted at this URL: <https://echa.europa.eu/guidance-documents/guidance-on-reach>

### Compatible Parts



TE Part # CAT-M9194-CH8172  
MULTILOCK, CONNECTOR HOUSING



TE Part # CAT-M9194-T273  
MULTILOCK, RECEPTACLE AND TAB

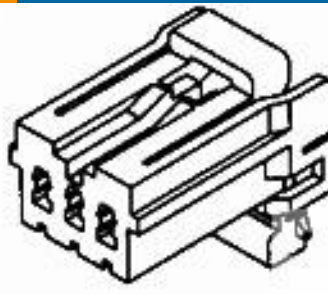


TE Part # 175029-1  
070 TAB CONTACT L.P 24-22



TE Part # 175030-3  
070 TAB CONTACT L/P

TE Part # 2302009-1  
W/H REAR BLOWER, AI-TATA X104

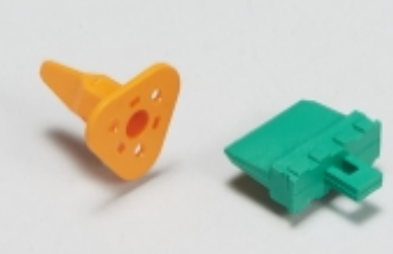


TE Part # 6-174922-6  
070 MLC W-W PLUG HSG 4P GRAY


### Also in the Series | Multilock Connector System




Automotive Connector Caps & Covers (10)



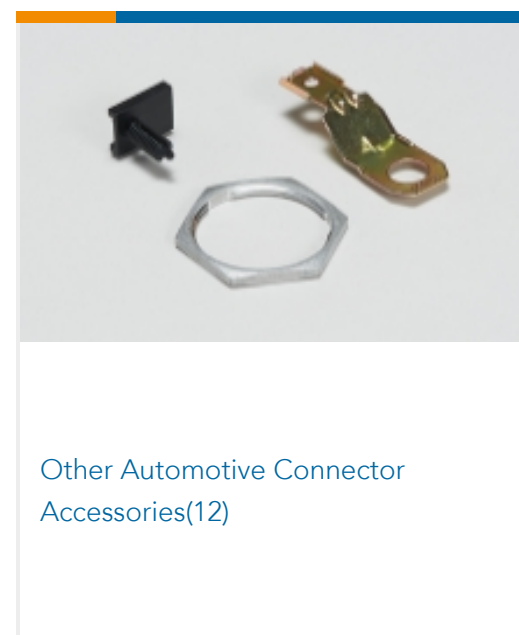
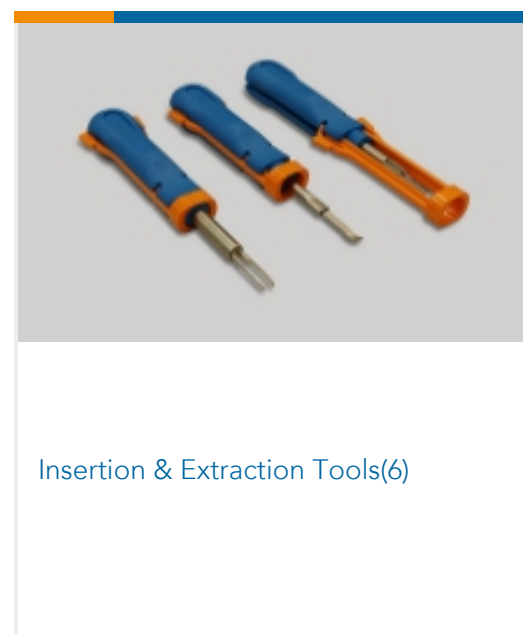
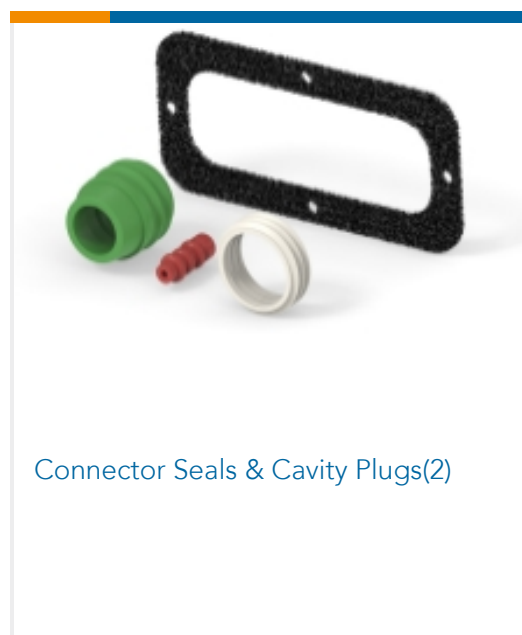
Automotive Connector Locks & Position Assurance(3)



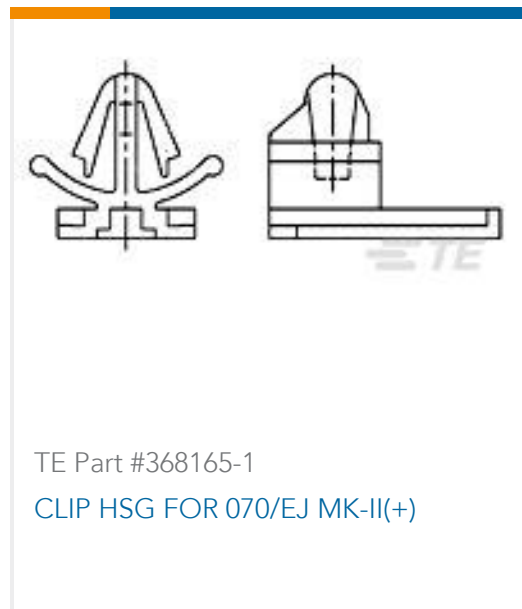
Automotive Housings(445)



Automotive Terminals(118)



## Customers Also Bought



## Documents

### Product Drawings

070 MLC W-W CAP HSG 4P NATURAL

English

### CAD Files

Customer View Model

[ENG\\_CVM\\_174929-1\\_C2.3d\\_igs.zip](#)

English

Customer View Model

[ENG\\_CVM\\_174929-1\\_C2.3d\\_stp.zip](#)

English

Customer View Model

[ENG\\_CVM\\_174929-1\\_C2.2d\\_dxf.zip](#)

English

### 3D PDF

3D

By downloading the CAD file I accept and agree to the [Terms and Conditions](#) of use.



---

**Product Specifications**

**070 MLC Series**

English

**Product Specification**

Japanese