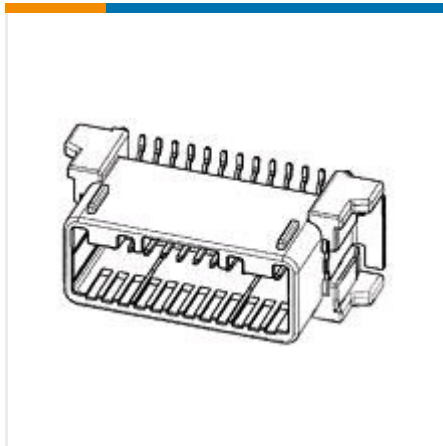




+ CONNECTORS

AUTOMOTIVE, TRUCK, BUS, & OFF-ROAD HEADERS



✓ Active

TE CONNECTIVITY (TE)

0.64 SMD 40POS CAP ASSY V TIN

TH/.025 Connector System

1747642-2

TE Internal Number: 1747642-2

EU RoHS Compliant

EU ELV Compliant

Centerline (Pitch) 2.2 mm [.087 in]

Sealable No

Mounting Orientation Vertical/180°

Number of Rows 2

Tab Width .64 mm [.025 in]

[↓](#) **PRODUCT DRAWING**
Japanese

[↓](#) **3D PDF**

DOCUMENTATION

Product Drawings

0.64 SMD CONNECTOR 40 POSITION CAP ASSEMBLY V-TYPE

PDF (TIFF AVAILABLE)

Japanese

CAD Files

Customer View Model

2D_DXF.ZIP

English

3D PDF

PDF

3D

Customer View Model

3D_IGS.ZIP

English

Customer View Model

3D_STP.ZIP

English

Product Specifications

Product Specification

0.64 SERIES I/O CONNECTOR(SMD-Top Entry,Verticality Type)

PDF

Japanese

0.64 SERIES I/O CONNECTOR(SMD-Top Entry,Verticality Type)

PDF

Japanese

Qualification Test Report

0.64 SERIES I/O CONNECTOR(SMD-Top Entry Type)

PDF

Japanese

Instruction Sheets

Instruction Sheet (non U.S.)

0.64 SERIES I/O CONNECTORS(SMD-Top Entry Type)

PDF

English

0.64 SERIES I/O CONNECTORS(SMD-Top Entry Type)

PDF

English

FEATURES



Please review product documents or [contact us](#) for the latest agency approval information.

Please Note: Use the Product Drawing for all design activity.

Product Type Features

Sealable No

Connector & Contact Terminates To Printed Circuit Board

Shielded No

Hybrid Header No

Configuration Features

Number of Rows 2

Number of Sections 1

Number of Signal Positions 40

Electrical Characteristics

Nominal Voltage Architecture (V) 12

Operating Voltage (VDC) 12

Voltage Rating (Max) (VDC) 12

Body Features

Color Black

Contact Features

Tab Width .64 mm [.025 in]

Tab Thickness .64 mm [.025 in]

Interface Plating Tin (Sn)

Termination Features

Termination Method Surface Mount

Mechanical Attachment

Panel Mount Feature Without

PCB Mount Alignment With

Mounting Orientation Vertical/180°

Mounting Holes Without

Locking Interface With

PCB Mount Retention Without

Housing Features

Centerline (Pitch) 2.2 mm [.087 in]

Dimensions

Width 59 mm [2.323 in]

Profile Height from PCB 20 mm [.787 in]

Length 16.2 mm [.638 in]

Usage Conditions

Operating Temperature Range -30 – 105 °C [-22 – 221 °F]

Operating Temperature (Max) (°C) 100, 105, 65, 70, 75, 80, 85, 90

Operating Temperature (Max) (°F) 149, 158, 167, 176, 185, 194, 212, 221

Operation/Application

Circuit Application Signal

Industry Standards

Degree of Protection Other

UL Flammability Rating UL 94V-0

Packaging Features

Packaging Quantity 8

Packaging Type Tube

Statement of Compliance

Statement of Compliance

PDF
