

1746979-1 ✓ ACTIVE



MQS

TE Internal #: 1746979-1

PCB Mount Header, Horizontal, Wire-to-Board, 121 Position, 2.54 mm / 5.8 mm [.228 in / .1 in] Centerline, Fully Shrouded, Tin, Through Hole - Solder

[View on TE.com >](#)

Connectors > PCB Connectors > PCB Headers & Receptacles > High Pin Count Header



Connector System: **Wire-to-Board**

Number of Positions: **121**

Centerline (Pitch): **2.54 mm, 5.8 mm [.1 in, .228 in]**

Sealable: **Yes**

PCB Mount Orientation: **Horizontal**

[All High Pin Count Header \(64\)](#)

Features

Product Type Features

Mixed & Hybrid Header	Yes
Connector Shape	Rectangular
PCB Connector Assembly Type	PCB Mount Header
Header Type	Fully Shrouded
Connector System	Wire-to-Board
Sealable	Yes
Connector & Contact Terminates To	Printed Circuit Board

Configuration Features

Number of Sections	2
Number of Positions	121
PCB Mount Orientation	Horizontal
Number of Rows	4



Electrical Characteristics

Voltage Rating (Max)	12 VDC
Nominal Voltage Architecture	12 V
Operating Voltage	12 VDC

Body Features

Primary Product Color	Black
Connector & Keying Code	A

Contact Features

Contact Size	.63mm, 2.8mm
Contact Type	Tab
Mating Tab Width	.63 mm, 2.8 mm [.025 in][.11 in]
Mating Tab Thickness	.63 mm, .8 mm [.025 in][.031 in]
Contact Mating Area Plating Material	Tin

Termination Features

Termination Method to Printed Circuit Board	Through Hole - Solder
---	-----------------------

Mechanical Attachment

Mounting Holes	Without
Mating Retention	With
Mating Alignment	With
PCB Mount Alignment	With
Panel Mount Feature	Without
PCB Mount Retention	With
PCB Mount Retention Type	Boardlock
Mating Retention Type	Locking Interface

Housing Features

Centerline (Pitch)	2.54 mm, 5.8 mm [.1 in][.228 in]
--------------------	----------------------------------

Dimensions

Connector Length	45 mm [1.38 in]
Connector Width	144 mm [5.669 in]
PCB Thickness (Recommended)	1.6 mm [.063 in]
Profile Height from PCB	31.1 mm [1.22 in]

Usage Conditions



Operating Temperature (Max)	65 °C, 70 °C, 75 °C, 80 °C, 85 °C, 90 °C, 100 °C, 105 °C, 110 °C, 120 °C [149 °F][158 °F][167 °F][176 °F][185 °F][194 °F][212 °F][221 °F][230 °F][248 °F]
-----------------------------	---

Operating Temperature Range	-40 – 120 °C [-40 – 248 °F]
-----------------------------	-----------------------------

Operation/Application

Shielded	No
Circuit Application	Signal

Industry Standards

UL Flammability Rating	None
------------------------	------

Packaging Features

Packaging Quantity	50
Packaging Method	Tray

Product Compliance

[For compliance documentation, visit the product page on TE.com>](#)

EU RoHS Directive 2011/65/EU	Compliant
EU ELV Directive 2000/53/EC	Compliant
China RoHS 2 Directive MIIT Order No 32, 2016	No Restricted Materials Above Threshold
EU REACH Regulation (EC) No. 1907/2006	Current ECHA Candidate List: JUNE 2024 (241) Candidate List Declared Against: JAN 2024 (240) Does not contain REACH SVHC
Halogen Content	Low Halogen - Br, Cl, F, I < 900 ppm per homogenous material. Also BFR/CFR/PVC Free
Solder Process Capability	Wave solder capable to 240°C

Product Compliance Disclaimer

This information is provided based on reasonable inquiry of our suppliers and represents our current actual knowledge based on the information they provided. This information is subject to change. The part numbers that TE has identified as EU RoHS compliant have a maximum concentration of 0.1% by weight in homogenous materials for lead, hexavalent chromium, mercury, PBB, PBDE, DBP, BBP, DEHP, DIBP, and 0.01% for cadmium, or qualify for an exemption to these limits as defined in the Annexes of Directive 2011/65/EU (RoHS2). Finished electrical and electronic equipment products will be CE marked as required by Directive 2011/65/EU. Components may not be CE marked. Additionally, the part numbers that TE has identified as EU ELV compliant have a maximum concentration of 0.1% by weight in homogenous materials for lead, hexavalent chromium, and mercury, and 0.01% for cadmium, or qualify for an exemption to these limits as defined in the Annexes of Directive 2000/53/EC (ELV). Regarding the REACH Regulation, the information TE provides on SVHC in articles for this part number is based on the latest European Chemicals Agency (ECHA) 'Guidance on requirements for substances in articles' posted at this URL: <https://echa.europa.eu/guidance-documents/guidance-on-reach>

Compatible Parts



TE Part # CAT-M8793-CH8172
MQS, CONNECTOR HOUSING



TE Part # 1-368376-1
81P REC HSG ASSY(SIEMENS)BLK-B



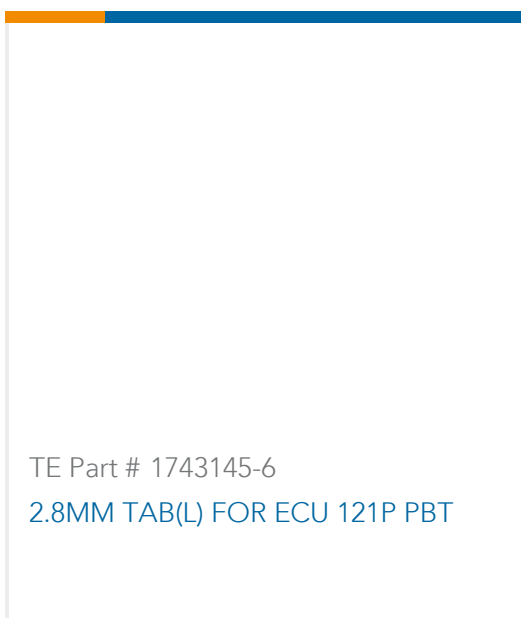
TE Part # 1743145-1
2.8MM TAB(S) AS STAMP-ECU 121P



TE Part # 1743145-2
2.8MM TAB(S) FOR ECU 121P PBT



TE Part # 1743145-5
2.8MM TAB(L) AS STAMP-ECU 121P



TE Part # 1743145-6
2.8MM TAB(L) FOR ECU 121P PBT

Customers Also Bought



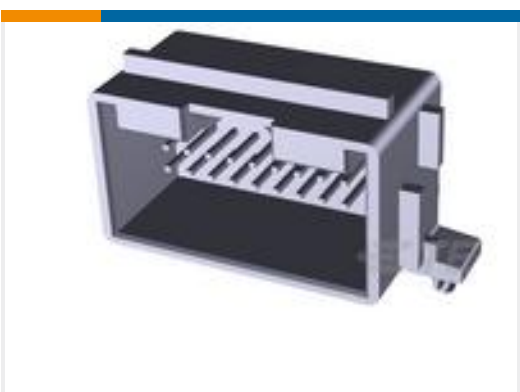
TE Part #1747140-1
SEALED EFI ECU 0.64/2.3II 60POS
PLUG ASS



TE Part #1747142-1
SEALED EFI ECU 60POS LEVER R



TE Part #DT04-08PA-L022
REC, 8P, GRY, N, FLANGE, A



TE Part #966871-1
MOD2 ST-WANNE 2X10P



TE Part #2098541-6
3POS, MCON 1.2 CB REC 2p TL
SEALED



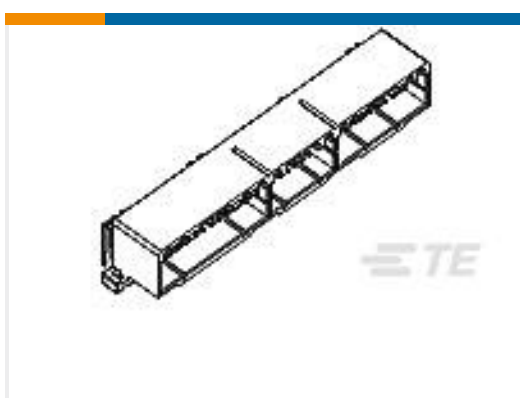
TE Part #2-2109432-2
PCU SLD 105P PLUG ASSY(B-LH) I



TE Part #2005472-6
PCU 91P RETAINER HSG-MCP



TE Part #2349367-1
5POS,HVA630,HDR ASSY



TE Part #176122-6
HYBRID CAP ASSY 64P



TE Part #3-2109431-2
PCU SLD 91P PLUG ASSY(B-RH) IS



Documents

Product Drawings

ECU 121P HDR ASSY-PBT

Japanese

CAD Files

3D PDF

3D

Customer View Model

[ENG_CVM_CVM_1746979-1_A.2d_dxf.zip](#)

English

Customer View Model

[ENG_CVM_CVM_1746979-1_A.3d_igs.zip](#)

English

Customer View Model

[ENG_CVM_CVM_1746979-1_A.3d_stp.zip](#)

English

By downloading the CAD file I accept and agree to the [Terms and Conditions](#) of use.

Product Specifications

Product Specification

Japanese

Instruction Sheets

Instruction Sheet (non U.S.)

English

Instruction Sheet (non U.S.)

Japanese