

1742753-1 ✓ ACTIVE

FASTON | Special Purpose Terminals

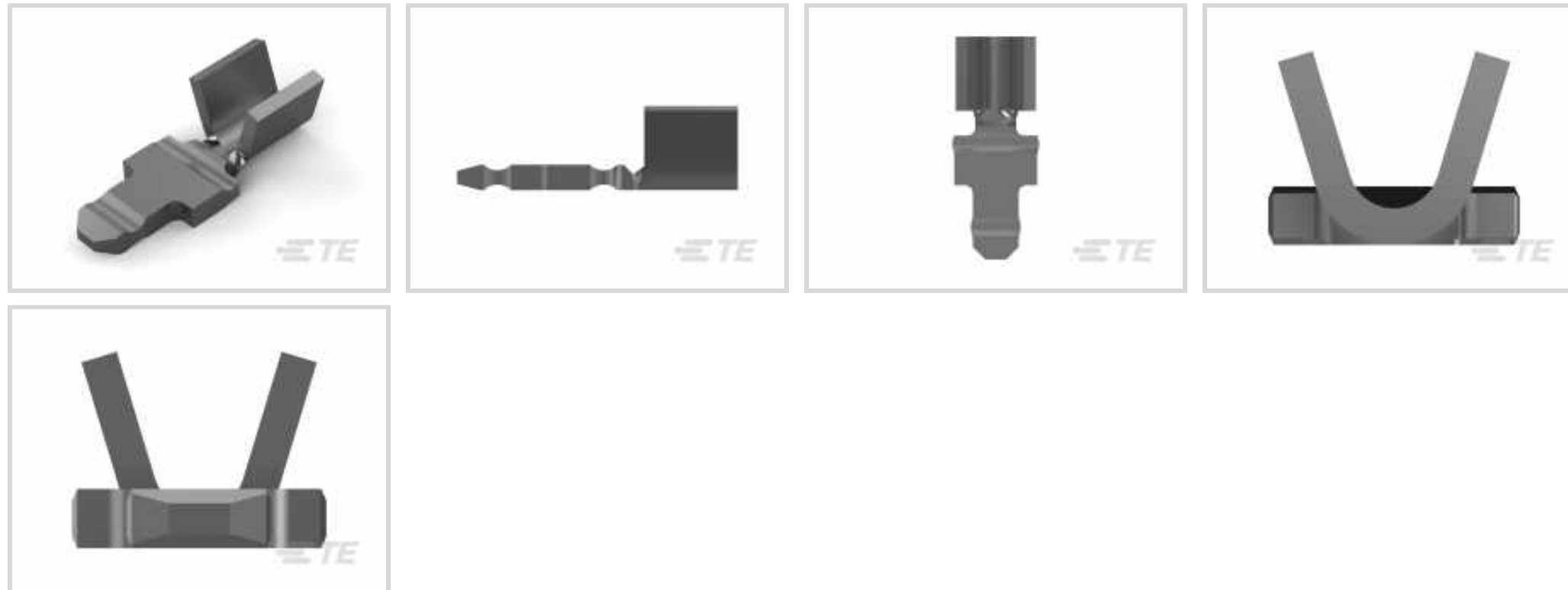
TE Internal #: 1742753-1

Quick Disconnects, Tab, 22 – 18 AWG Wire Size, .32 – .82 mm² Wire Size, Mating Tab Width .079 in [2 mm], Straight, Brass, Special Purpose Terminals

[View on TE.com >](#)



Terminals & Splices > Quick Disconnects



Quick Disconnect Terminal Type: **Tab**

Wire Size: .32 – .82 mm²

Mating Tab Width: 2 mm [.079 in]

Mating Tab Thickness: .81 mm [.032 in]

Features

Product Type Features

Terminates To	Wire & Cable
Wire Stop	No
Wire/Cable Type	Discrete Wire

Configuration Features

Connection Capacity	Single
---------------------	--------

Contact Features

Quick Disconnect Terminal Type	Tab
Mating Tab Width	2 mm [.079 in]
Mating Tab Thickness	.81 mm [.032 in]
Terminal Orientation	Straight
Contact Base Material	Brass
Terminal Plating Material	Tin
Crimp Type	F-Crimp
Barrel Type	Open



Mechanical Attachment

Wire Insulation Support	Without
-------------------------	---------

Dimensions

Overall Length	9 mm [.354 in]
Receptacle Terminal Stock Thickness	.51 mm [.02 in]
Wire Size	.32 – .82 mm ²

Usage Conditions

Insulation Option	Uninsulated
Operating Temperature Range	-40 – 110 °C [-40 – 230 °F]

Industry Standards

UL Rating	Listed
-----------	--------

Packaging Features

Packaging Quantity	10000
Packaging Method	Strip/Reel

Product Compliance

[For compliance documentation, visit the product page on TE.com>](#)

EU RoHS Directive 2011/65/EU	Compliant
EU ELV Directive 2000/53/EC	Compliant
China RoHS 2 Directive MIIT Order No 32, 2016	No Restricted Materials Above Threshold
EU REACH Regulation (EC) No. 1907/2006	Current ECHA Candidate List: JAN 2023 (233) Candidate List Declared Against: JAN 2023 (233) Does not contain REACH SVHC
Halogen Content	Low Halogen - Br, Cl, F, I < 900 ppm per homogenous material. Also BFR/CFR/PVC Free
Solder Process Capability	Not applicable for solder process capability

Product Compliance Disclaimer

This information is provided based on reasonable inquiry of our suppliers and represents our current actual knowledge based on the information they provided. This information is subject to change. The part numbers that TE has identified as EU RoHS compliant have a maximum concentration of 0.1% by weight in homogenous materials for lead, hexavalent chromium, mercury, PBB, PBDE, DBP, BBP, DEHP, DIBP, and 0.01% for cadmium, or qualify for an exemption to these limits as defined in the Annexes of Directive 2011/65/EU (RoHS2). Finished electrical and electronic equipment products will be CE marked as required by Directive 2011/65/EU. Components may not be CE marked. Additionally, the part numbers that TE has identified as EU ELV compliant have a maximum concentration of 0.1% by weight in homogenous materials for lead, hexavalent chromium, and mercury, and 0.01% for cadmium, or qualify for an exemption to these limits



as defined in the Annexes of Directive 2000/53/EC (ELV). Regarding the REACH Regulation, the information TE provides on SVHC in articles for this part number is based on the latest European Chemicals Agency (ECHA) 'Guidance on requirements for substances in articles' posted at this URL: <https://echa.europa.eu/guidance-documents/guidance-on-reach>

Compatible Parts

TE Part # 63138-1
110 FASTON REC 22-18 AWG TPBR

TE Part # 42475-4
250 FASTON TAB 22-18 AWG TPBR

TE Part # 42490-3
187 FASTON TAB 22-18 AWG TPBR

TE Part # 63165-2
FASTON 110 AMPLIVAR TAB 23-19 MAG TPBR

TE Part # 63932-1
110 FASTON TAB 22-18 AWG TPBR

TE Part # 1494210-2
110 FASTON,TAB,22-17 AWG, JIS C260

TE Part # 42475-2
250 FASTON TAB 22-18 AWG TPBR

TE Part # 1494210-1
110 FASTON,TAB,22-17 AWG, JIS C260

TE Part # 42475-3
250 FASTON TAB 22-18 AWG BR

TE Part # 62384-1
110 FASTON TAB 22-18 AWG TPBR

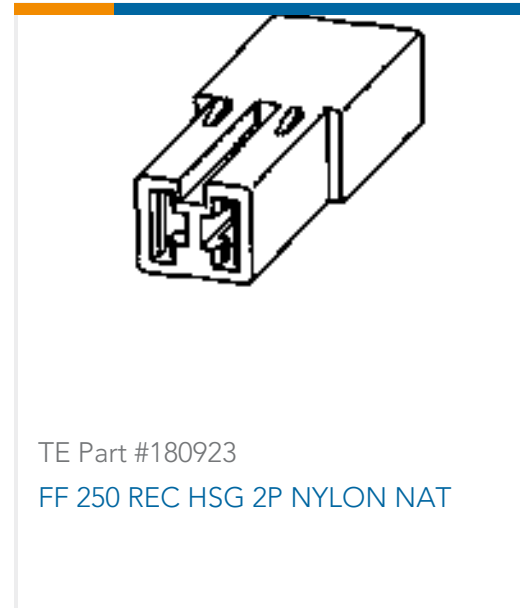
TE Part # 63535-1
TAB SPECIAL 025TPBR

Also in the Series | Special Purpose Terminals

PCB Terminals(2)

Quick Disconnects(9)

Customers Also Bought



Documents

Product Drawings

[FASTON 2MM TAB 18-22AWG TPBR](#)

English

CAD Files

[3D PDF](#)

3D

Customer View Model

[ENG_CVM_CVM_1742753-1_D.2d_dxf.zip](#)

English

Customer View Model

[ENG_CVM_CVM_1742753-1_D.3d_igs.zip](#)

English

Customer View Model

[ENG_CVM_CVM_1742753-1_D.3d_stp.zip](#)

English

By downloading the CAD file I accept and agree to the [Terms and Conditions](#) of use.

Product Specifications

[Application Specification](#)

English