

1734774-7 ✓ ACTIVE

TE Internal #: 1734774-7

PCI & PCI Express Connectors, Board-to-Board, 64 Position, .039 in [1 mm] Centerline, Vertical, Black, Height .394 in [10 mm], Width .346 in [8.8 mm]

[View on TE.com >](#)



Connectors > PCB Connectors > Card Edge Connectors > PCI & PCI Express Connectors



Connector System: **Board-to-Board**

Number of Positions: **64**

PCI Generation: **2 & 3**

Centerline (Pitch): **1 mm [ .039 in ]**

Termination Post & Tail Length: **3.1 mm [ .122 in ]**

## Features

### Product Type Features

Connector System	Board-to-Board
Connector & Contact Terminates To	Printed Circuit Board

### Configuration Features

Number of PCB Mount Retention Features	2
Number of Positions	64
PCB Mount Orientation	Vertical
Ejector	Without

### Electrical Characteristics

Operating Voltage	50 VAC
-------------------	--------

### Body Features

Product Weight	3.85 g[.136 oz]
Primary Product Color	Black

### Contact Features

PCB Contact Termination Area Plating Material Thickness	2.54 $\mu$ m
Contact Mating Area Plating Material	Gold Flash
PCB Contact Termination Area Plating Material Finish	Matte
PCB Contact Termination Area Plating Material	Tin
Contact Base Material	Phosphor Bronze



15 µin

Contact Current Rating (Max)

1.1 A

### Termination Features

Termination Method to Printed Circuit Board

Through Hole - Solder

Termination Post &amp; Tail Length

3.1 mm[.122 in]

### Mechanical Attachment

Connector Mounting Type

Board Mount

### Housing Features

Housing Material

PA 9T GF

Centerline (Pitch)

1 mm[.039 in]

### Dimensions

Connector Length

39 mm[1.535 in]

PCB Thickness (Accepted)

1.57 mm[.062 in]

PCB Thickness (Recommended)

2.39 mm[.094 in]

Connector Height

10 mm[.394 in]

Connector Width

8.8 mm[.346 in]

### Usage Conditions

Operating Temperature Range

-40 – 85 °C[-40 – 185 °F]

### Industry Standards

Bus Type

PCI Express

PCI Generation

2 &amp; 3

### Packaging Features

Packaging Quantity

60

Packaging Method

Box &amp; Tray, Tray

### Product Compliance

For compliance documentation, visit the product page on [TE.com](https://www.te.com)>

EU RoHS Directive 2011/65/EU

Compliant

EU ELV Directive 2000/53/EC

Compliant

China RoHS 2 Directive MIIT Order No 32, 2016

No Restricted Materials Above Threshold

EU REACH Regulation (EC) No. 1907/2006

Current ECHA Candidate List: JUNE 2023  
(235)



Candidate List Declared Against: JAN 2021  
(211)

Does not contain REACH SVHC

Halogen Content

Not Low Halogen - contains Br or Cl > 900 ppm.

Solder Process Capability

Wave solder capable to 265°C

Product Compliance Disclaimer

This information is provided based on reasonable inquiry of our suppliers and represents our current actual knowledge based on the information they provided. This information is subject to change. The part numbers that TE has identified as EU RoHS compliant have a maximum concentration of 0.1% by weight in homogenous materials for lead, hexavalent chromium, mercury, PBB, PBDE, DBP, BBP, DEHP, DIBP, and 0.01% for cadmium, or qualify for an exemption to these limits as defined in the Annexes of Directive 2011/65/EU (RoHS2). Finished electrical and electronic equipment products will be CE marked as required by Directive 2011/65/EU. Components may not be CE marked. Additionally, the part numbers that TE has identified as EU ELV compliant have a maximum concentration of 0.1% by weight in homogenous materials for lead, hexavalent chromium, and mercury, and 0.01% for cadmium, or qualify for an exemption to these limits as defined in the Annexes of Directive 2000/53/EC (ELV). Regarding the REACH Regulation, the information TE provides on SVHC in articles for this part number is based on the latest European Chemicals Agency (ECHA) 'Guidance on requirements for substances in articles' posted at this URL: <https://echa.europa.eu/guidance-documents/guidance-on-reach>

### Compatible Parts



TE Part # 5-2337939-4  
PCIE GEN4 CON,SMT,164POS,30u",  
MYLAR,HT



TE Part # 1734774-1  
PCI EXP 3.1L 36 POS WHT G/F

### Customers Also Bought



TE Part #5227161-1  
RTANG JK W/MTG PINS, BNC PCB



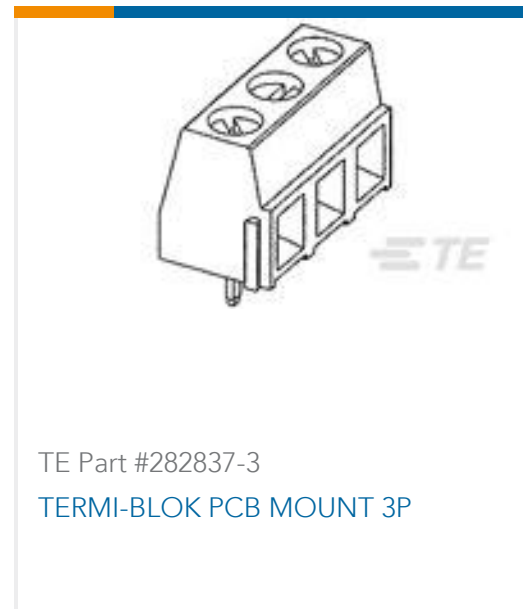
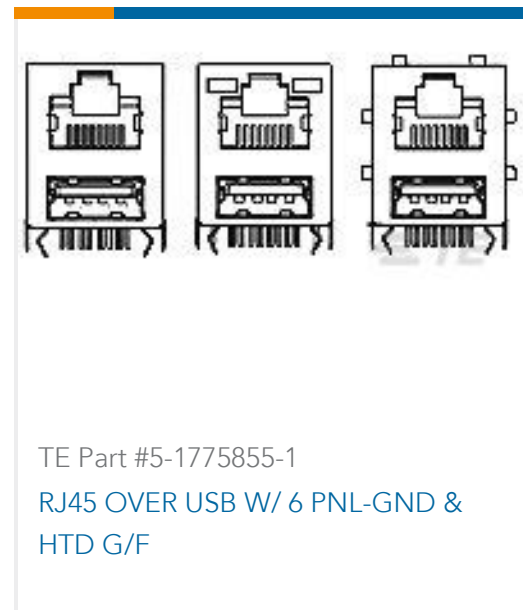
TE Part #1-2007492-7  
SFP+assy2x1 EMI Sprg Outer Lp Sn  
Enhance



TE Part #640453-6  
06P MTA100 HDR ASSY SQ R/A



TE Part #5787169-7  
68 50SR R/A RCPT ASSY,RDSN L/F



## Documents

### CAD Files

#### 3D PDF

3D

#### Customer View Model

[ENG\\_CVM\\_CVM\\_1734774-7\\_F.2d\\_dxf.zip](#)

English

#### Customer View Model

[ENG\\_CVM\\_CVM\\_1734774-7\\_F.3d\\_igs.zip](#)

English

#### Customer View Model

[ENG\\_CVM\\_CVM\\_1734774-7\\_F.3d\\_stp.zip](#)

English

By downloading the CAD file I accept and agree to the [Terms and Conditions](#) of use.

### Product Specifications

#### Product Specification

English

#### Product Specification

English