

1732175-1 ✓ ACTIVE

1.5/2.8 Connector System, Generation Y Connector System

TE Internal #: 1732175-1

Housing for Female Terminals, Wire-to-Board / Wire-to-Device, 7 Position, .268 in / .1 in [6.8 mm / 2.54 mm] Centerline, Sealable, Black, Hybrid

[View on TE.com >](#)



Connectors > Automotive Connectors > Automotive Housings



Connector & Housing Type: **Housing for Female Terminals**

Mating Tab Width: **.64 mm, 2.8 mm [.025 in, .11 in]**

Connector System: **Wire-to-Board, Wire-to-Device**

Number of Positions: **7**

Centerline (Pitch): **2.54 mm, 6.8 mm [.1 in, .268 in]**

Features

Product Type Features

Connector Shape	Rectangular
Connector & Housing Type	Housing for Female Terminals
Connector System	Wire-to-Board, Wire-to-Device
Sealable	Yes
Hybrid Connector	Yes
Primary Locking Feature	Integrated in Housing

Configuration Features

Number of Positions	7
Number of Rows	2

Body Features

Cable Exit Angle	180°
Primary Product Color	Black

Contact Features

Contact Size	.64mm, 2.8mm
Contact Type	Receptacle
Mating Tab Width	.64 mm, 2.8 mm[.025 in][.11 in]

Mechanical Attachment

Terminal Position Assurance	Yes
-----------------------------	-----



Strain Relief	Without
Mating Alignment Type	Polarized
Mating Alignment	With
Connector Mounting Type	Cable Mount (Free-Hanging)

Housing Features

Housing Material	PA GF
Centerline (Pitch)	2.54 mm, 6.8 mm[.1 in][.268 in]

Dimensions

Connector Height	31 mm[1.22 in]
Product Width	25 mm[.984 in]
Product Length	34.8 mm[1.37 in]
Row-to-Row Spacing	3 mm, 7.7 mm[.118 in][.303 in]

Usage Conditions

Operating Temperature (Max)	70 °C, 75 °C, 80 °C, 85 °C, 90 °C, 100 °C [158 °F][167 °F][176 °F][185 °F][194 °F][212 °F]
Operating Temperature Range	-40 – 100 °C[-40 – 212 °F]

Operation/Application

Circuit Application	Signal
---------------------	--------

Packaging Features

Packaging Quantity	240
Packaging Method	Package

Other

Serviceable	Yes
Connector Position Assurance Capable	No

Product Compliance

[For compliance documentation, visit the product page on TE.com>](#)

EU RoHS Directive 2011/65/EU	Compliant
EU ELV Directive 2000/53/EC	Compliant
China RoHS 2 Directive MIIT Order No 32, 2016	No Restricted Materials Above Threshold
EU REACH Regulation (EC) No. 1907/2006	Current ECHA Candidate List: JUNE 2022 (224)



Candidate List Declared Against: JUNE 2022 (224)
Does not contain REACH SVHC

Halogen Content	Low Halogen - Br, Cl, F, I < 900 ppm per homogenous material. Also BFR/CFR/PVC Free
Solder Process Capability	Not applicable for solder process capability

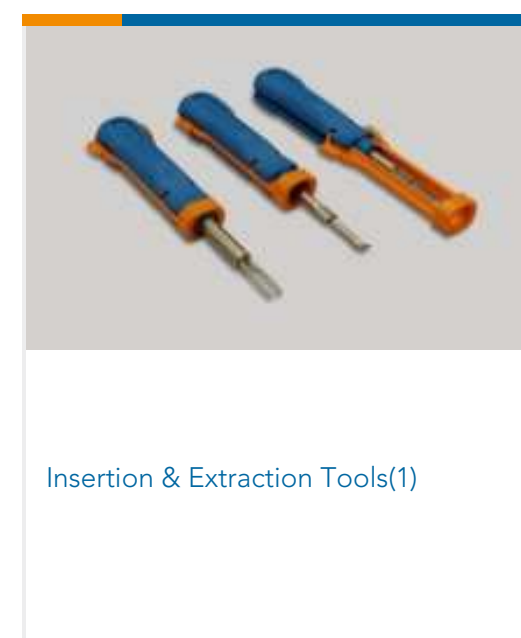
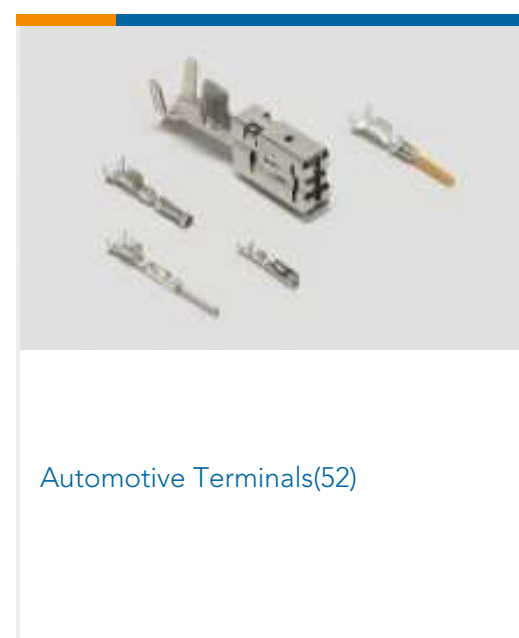
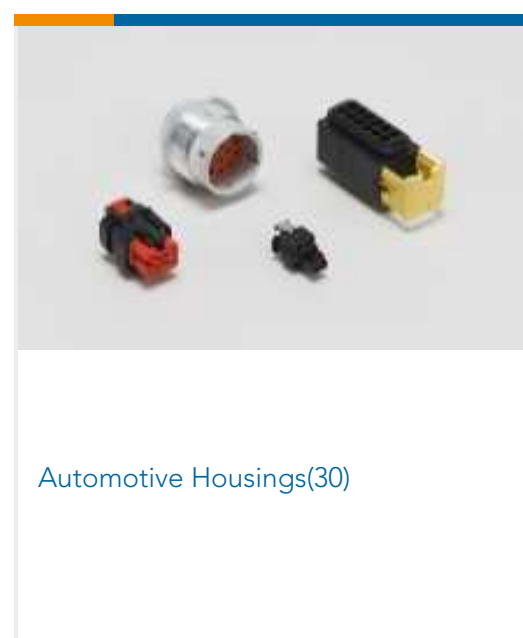
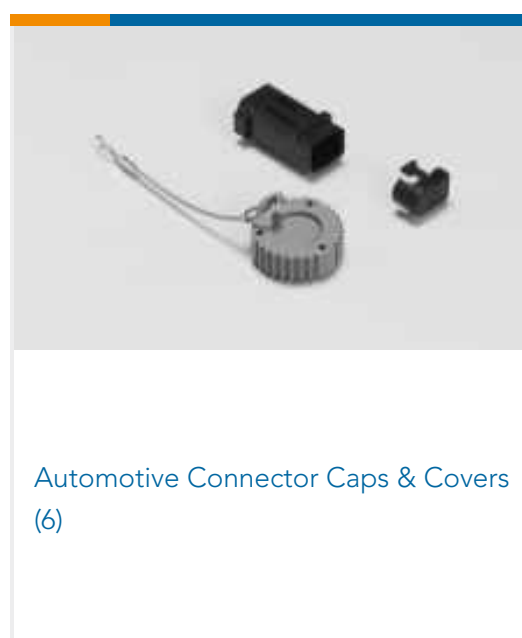
Product Compliance Disclaimer

This information is provided based on reasonable inquiry of our suppliers and represents our current actual knowledge based on the information they provided. This information is subject to change. The part numbers that TE has identified as EU RoHS compliant have a maximum concentration of 0.1% by weight in homogenous materials for lead, hexavalent chromium, mercury, PBB, PBDE, DBP, BBP, DEHP, DIBP, and 0.01% for cadmium, or qualify for an exemption to these limits as defined in the Annexes of Directive 2011/65/EU (RoHS2). Finished electrical and electronic equipment products will be CE marked as required by Directive 2011/65/EU. Components may not be CE marked. Additionally, the part numbers that TE has identified as EU ELV compliant have a maximum concentration of 0.1% by weight in homogenous materials for lead, hexavalent chromium, and mercury, and 0.01% for cadmium, or qualify for an exemption to these limits as defined in the Annexes of Directive 2000/53/EC (ELV). Regarding the REACH Regulation, the information TE provides on SVHC in articles for this part number is based on the latest European Chemicals Agency (ECHA) 'Guidance on requirements for substances in articles' posted at this URL: <https://echa.europa.eu/guidance-documents/guidance-on-reach>

Compatible Parts



Also in the Series | 1.5/2.8 Connector System





Other Automotive Connector Accessories(1)

Also in the Series | Generation Y Connector System



Automotive Connector Caps & Covers (16)



Automotive Housings(153)



Automotive Terminals(39)

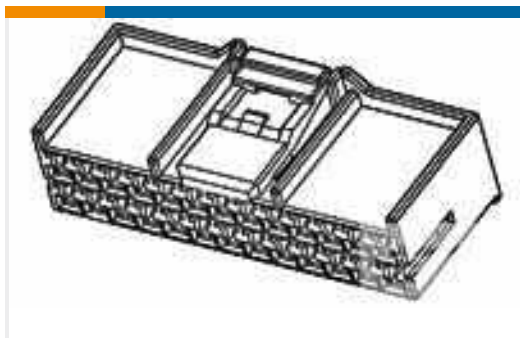


Insertion & Extraction Tools(1)



PCB Headers & Receptacles(15)

Customers Also Bought



TE Part #936098-1
090III 26P PLUG ASSY



TE Part #1-2203773-1
MCON, CONNECTOR HOUSING



TE Part #1-2278915-1
EPB4 30WAY ASSEMBLY PARTS



TE Part #1703399-1
24POS,AMP MCP1.5K,REC HSG,ASSY



TE Part #1813018-5
MINI FUSE RECEPTACLE



TE Part #1-2299987-2
65W SEAL PLUG,CONN KIT



TE Part #2137354-1
SECOND LOCKING DEVICE, FOR AMP-MCP 18P



TE Part #2301812-2
16POS,HYBRID,REC HSG ASSY, UNSLD,COD B



Documents

Product Drawings

[2+5 Sealed Connector Ass'y](#)

English

CAD Files

Customer View Model

[ENG_CVM_CVM_1732175-1_B.2d_dxf.zip](#)

English

[3D PDF](#)

3D

Customer View Model

[ENG_CVM_CVM_1732175-1_B.3d_igs.zip](#)

English

Customer View Model

[ENG_CVM_CVM_1732175-1_B.3d_stp.zip](#)

English

By downloading the CAD file I accept and agree to the [Terms and Conditions](#) of use.

Instruction Sheets

[Instruction Sheet \(U.S.\)](#)

English