

# PCB terminal block - ZFKDS 1,5C-5,0-EX



1732111

<https://www.phoenixcontact.com/pc/products/1732111>

Please be informed that the data shown in this PDF document is generated from our Online Catalog. Please find the complete data in the user documentation. Our General Terms of Use for Downloads are valid.



PCB terminal block, nominal current: 16 A, nominal cross section: 1.5 mm<sup>2</sup>, number of potentials: 1, number of rows: 1, number of positions per row: 1, product range: ZFKDS(A) 1,5C-EX, pitch: 5 mm, connection method: Spring-cage connection, mounting: Wave soldering, conductor/PCB connection direction: 45 °, color: green, Pin layout: Linear pinning, Solder pin [P]: 3.5 mm, number of solder pins per potential: 2, type of packaging: packed in cardboard. Single module for the custom grouping of different numbers of positions. An end terminal block is also needed to terminate the block (see accessories). Blocked items with different numbers of positions are also available.

## Your advantages

- Defined contact force ensures that contact remains stable over the long term
- Clamping space opened by means of fixed screwdriver enables convenient conductor connection
- Angled connection enables multi-row arrangement on the PCB
- Satisfies the more stringent safety requirements of "Ex e" protection according to IEC 60079-7 for potentially explosive areas
- The latching on the side enables various numbers of positions to be combined
- Two solder pins reduce the mechanical strain on the soldering spots

## Commercial Data

Item number	1732111
Packing unit	50 pc
Minimum order quantity	1 pc
Product Key	AALMBD
Catalog Page	Page 161 (C-1-2013)
GTIN	4046356280709
Weight per Piece (including packing)	1.074 g
Weight per Piece (excluding packing)	1.043 g
Customs tariff number	85369010
Country of origin	PL

# PCB terminal block - ZFKDS 1,5C-5,0-EX



1732111

<https://www.phoenixcontact.com/pc/products/1732111>

## Technical Data

### Product properties

Type	PC terminal block can be aligned
Product line	COMBICON Terminals S
Product type	Printed circuit board terminal
Number of positions	1
Pitch	5 mm
Number of connections	1
Number of rows	1
Number of potentials	1
Pin layout	Linear pinning
Solder pins per potential	2

### Electrical properties

Nominal current $I_N$	16 A
Nominal voltage $U_N$	176 V
Rated current / conductor cross section	16 A/1.5 mm <sup>2</sup>
Degree of pollution	3

### Ex data

#### Ex approval

Identification	0344□ II 2GD / Ex eb IIC Gb
EU-type examination certificate	PTB 06ATEX1073 U
IECEx certificate	IECEx PTB 06.0096.U

### Connection data

#### Connection technology

Type	PC terminal block can be aligned
Nominal cross section	1.5 mm <sup>2</sup>

#### Conductor connection

Connection method	Spring-cage connection
Conductor cross section solid	0.2 mm <sup>2</sup> ... 2.5 mm <sup>2</sup>
Conductor cross section flexible	0.2 mm <sup>2</sup> ... 1.5 mm <sup>2</sup>
Stripping length	7 mm

### Mounting

Mounting type	Wave soldering
Pin layout	Linear pinning

### Material specifications

#### Material data - contact

# PCB terminal block - ZFKDS 1,5C-5,0-EX



1732111

<https://www.phoenixcontact.com/pc/products/1732111>

Note	WEEE/RoHS-compliant, free of whiskers according to IEC 60068-2-82/JEDEC JESD 201
Contact material	Cu alloy
Surface characteristics	hot-dip tin-plated

## Material data - housing

Color (Housing)	green (6021)
Insulating material	PA
Insulating material group	I
CTI according to IEC 60112	600
Flammability rating according to UL 94	V0
Glow wire flammability index GWFI according to EN 60695-2-12	850
Glow wire ignition temperature GWIT according to EN 60695-2-13	775
Temperature for the ball pressure test according to EN 60695-10-2	125 °C

## Material data – actuating element

Color ()	()
----------	----

## Dimensions

Dimensional drawing	
Pitch	5 mm
Width [w]	5 mm
Height [h]	16.5 mm
Length [l]	14.1 mm
Installed height	13 mm
Solder pin length [P]	3.5 mm

## PCB design

Pin spacing	5.08 mm
-------------	---------

## Environmental and real-life conditions

### Ambient conditions

Ambient temperature (operation)	-50 °C ... 110 °C
Ambient temperature (storage/transport)	-40 °C ... 70 °C
Relative humidity (storage/transport)	30 % ... 70 %
Ambient temperature (assembly)	-5 °C ... 100 °C

## Packaging specifications

Type of packaging	packed in cardboard
-------------------	---------------------

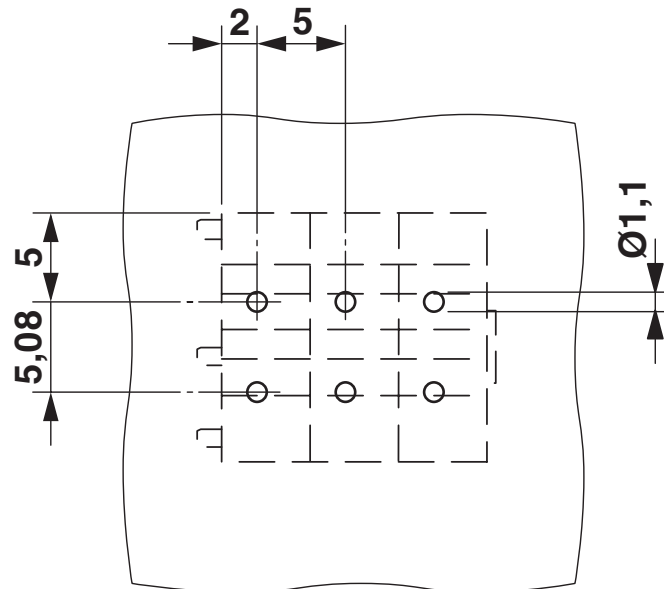
# PCB terminal block - ZFKDS 1,5C-5,0-EX

1732111

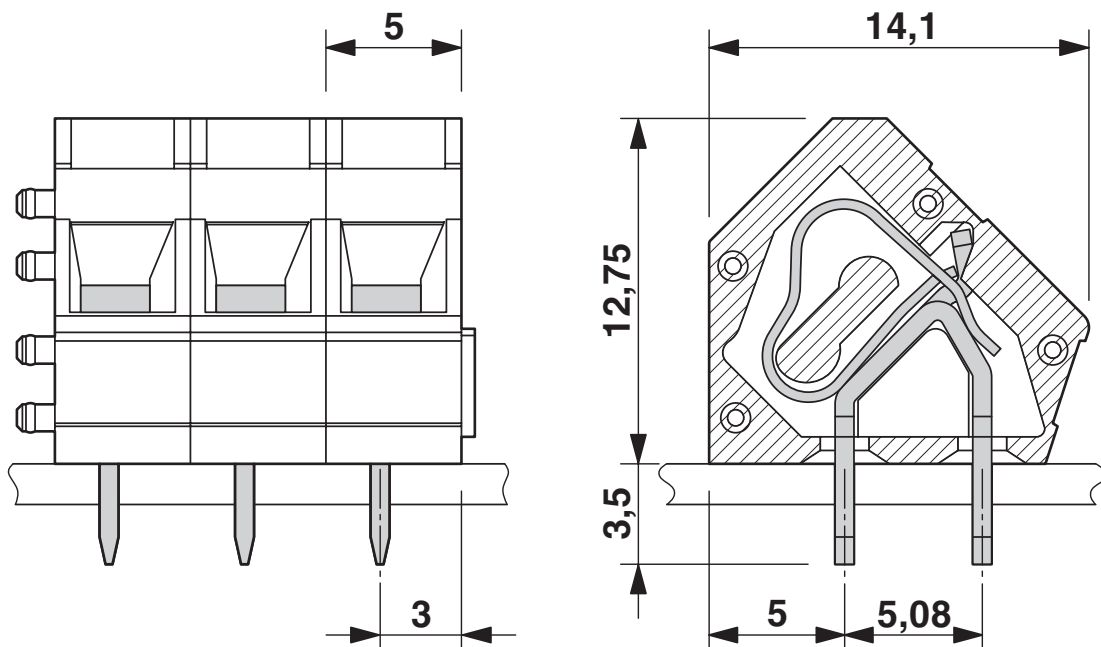
<https://www.phoenixcontact.com/pc/products/1732111>

## Drawings

Drilling plan/solder pad geometry



Dimensional drawing




# PCB terminal block - ZFKDS 1,5C-5,0-EX





1732111

<https://www.phoenixcontact.com/pc/products/1732111>

## Approvals

 <b>IECEX</b> Approval ID: IECEX PTB 06.0096U				
	Nominal Voltage $U_N$	Nominal Current $I_N$	Cross Section AWG	Cross Section $\text{mm}^2$
	176 V	16 A	-	0.2 - 2.5

 <b>ATEX</b> Approval ID: PTB 06 ATEX 1073 U				
	Nominal Voltage $U_N$	Nominal Current $I_N$	Cross Section AWG	Cross Section $\text{mm}^2$
	176 V	16 A	-	0.2 - 2.5

 <b>EAC Ex</b> Approval ID: B.00065/19				
--	--	--	--	--

# PCB terminal block - ZFKDS 1,5C-5,0-EX



1732111

<https://www.phoenixcontact.com/pc/products/1732111>

## Classifications

### ECLASS

ECLASS-9.0	27440401
ECLASS-10.0.1	27440401
ECLASS-11.0	27460101

### ETIM

ETIM 8.0	EC002643
----------	----------

### UNSPSC

UNSPSC 21.0	39121400
-------------	----------

# PCB terminal block - ZFKDS 1,5C-5,0-EX



1732111

<https://www.phoenixcontact.com/pc/products/1732111>

## Environmental Product Compliance

China RoHS	Environmentally friendly use period: unlimited = EFUP-e
	No hazardous substances above threshold values

# PCB terminal block - ZFKDS 1,5C-5,0-EX



1732111

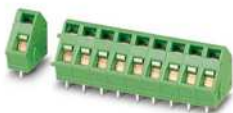
<https://www.phoenixcontact.com/pc/products/1732111>

## Mandatory Accessories

### PCB terminal block

PCB terminal block - ZFKDSA 1,5C-6,0-EX - 1732124

<https://www.phoenixcontact.com/pc/products/1732124>



PCB terminal block, nominal current: 16 A, nominal cross section: 1.5 mm<sup>2</sup>, number of potentials: 1, number of rows: 1, number of positions per row: 1, product range: ZFKDS(A) 1,5C-EX, pitch: 5 mm, connection method: Spring-cage connection, mounting: Wave soldering, conductor/PCB connection direction: 45 °, color: green, Pin layout: Linear pinning, Solder pin [P]: 3.5 mm, number of solder pins per potential: 2, type of packaging: packed in cardboard. End terminal block for terminating custom-grouped blocks.

---

Phoenix Contact 2022 © - all rights reserved  
<https://www.phoenixcontact.com>

PHOENIX CONTACT GmbH & Co. KG  
Flachsmarktstraße 8  
D-32825 Blomberg  
+49 (0) 5235-3 00  
[info@phoenixcontact.com](mailto:info@phoenixcontact.com)