

**PLEASE CHECK WWW.MOLEX.COM FOR LATEST PART INFORMATION**

**Part Number:** [1731240003](#)  
**Status:** **Active**  
**Description:** zCXP Short Connector Assembly, 0.80mm Pitch, Belly-to-Belly, Gold (Au) Over Nickel Plated, 84 Circuits

**Documents:**

<a href="#">3D Model</a>	<a href="#">Product Specification PS-173124-0001-001 (PDF)</a>
<a href="#">3D Model (PDF)</a>	<a href="#">Test Summary 1731240001-TS-000 (PDF)</a>
<a href="#">Drawing (PDF)</a>	<a href="#">RoHS Certificate of Compliance (PDF)</a>

**Agency Certification**

UL E29179

**General**

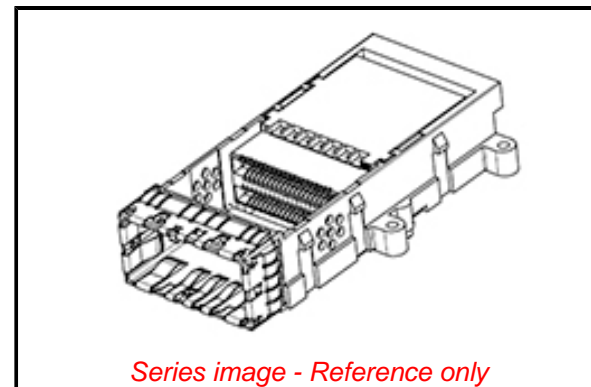
Product Family	I/O Connectors
Series	173124
Application	Wire-to-Board
Comments	Maximum of 3 consecutive terminals can run at 1.5 Amps max. Maximum of 1terminal can run at 2.5 Amps max.
Component Type	Receptacle
Product Name	zCXP
Type	N/A
UPC	889056756341

**Physical**

Circuits (Loaded)	84
Color - Resin	Black
Durability (mating cycles max)	50
Flammability	94V-0
Gender	Female
Keying to Mating Part	None
Lock to Mating Part	No
Material - Metal	Copper Alloy
Material - Plating Mating	Gold
Material - Plating Termination	Tin
Material - Resin	High Temperature Thermoplastic
Net Weight	26.779/g
Number of Rows	4
Orientation	Right Angle
PC Tail Length	0.93mm
PCB Locator	Yes
PCB Retention	Yes
PCB Thickness - Recommended	1.44mm
Packaging Type	Tray
Panel Mount	No
Pitch - Mating Interface	0.80mm
Plating min - Mating	0.762µm
Plating min - Termination	0.762µm
Polarized to Mating Part	No
Polarized to PCB	Yes
Ports	1
Temperature Range - Operating	-40° to +85°C
Termination Interface: Style	Through Hole - Compliant Pin

**Electrical**

Current - Maximum per Contact 0.5A



Series image - Reference only

**EU ELV**

**Not Relevant**

**EU RoHS**

**Compliant**

**REACH SVHC**

Not Contained Per - D(2020)4578-DC (25 June 2020)

**Halogen-Free**

**Status**

**Low-Halogen**

For more information, please visit [Contact US](#)

China ROHS

ELV

RoHS Phthalates

**China RoHS**

Green Image

Not Relevant

Not Contained

**Search Parts in this Series**

[173124 Series](#)

Grounding to Panel  
Voltage - Maximum

Bezel  
30V AC (RMS)/DC

**Material Info**

**Reference - Drawing Numbers**

Product Specification  
Sales Drawing  
Test Summary

PS-173124-0001-001  
SD-173124-0003-000  
1731240001-TS-000

This document was generated on 09/28/2020

**PLEASE CHECK [WWW.MOLEX.COM](http://WWW.MOLEX.COM) FOR LATEST PART INFORMATION**