

PLEASE CHECK WWW.MOLEX.COM FOR LATEST PART INFORMATION

Part Number: [1731140394](#)
Status: **Active**
Overview: FCT D-Sub Connectors
Description: FCT Plastic Backshell with Female D-Sub Connector, Black, Shell Size 3, Straight Cable Outlet, IP67 Waterproof, Large Inner Chamber, with Locking Screws

Documents:

[Datasheet \(PDF\)](#)

[Brochure \(PDF\)](#)

[RoHS Certificate of Compliance \(PDF\)](#)

General

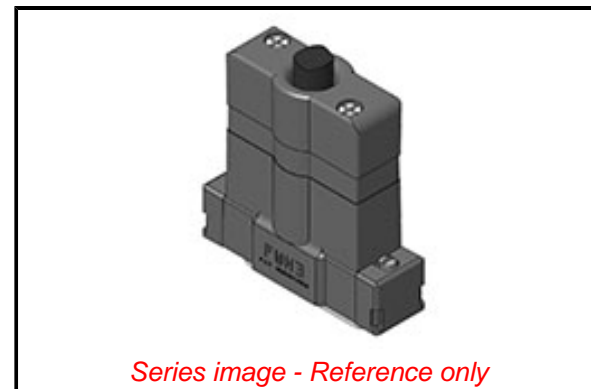
Product Family	D-Sub Products
Series	173114
IP Rating	IP67
Overview	<u>FCT D-Sub Connectors</u>
Product Category	Backshell
Product Name	FCT Products
Type	Plastic
UPC	191130516766

Physical

Cable Diameter	8.00-10.50mm
Color - Resin	Black
Material - Backshell	PC+ABS
Material - Screw	Brass
Material - Seal	Elastomer
Mounting Style	Locking Screw
Net Weight	35.000/g
Orientation	Straight
Packaging Type	Bag
Plating - Backshell	None
Shield Type	None
Shielded	No
Temperature Range - Operating	-35° to +120°C
Thread Size	4-40 UNC
Thread Type	Standard
Tightening Test Torque	40 Ncm
Waterproof / Dustproof	Yes
Waterproof / Dustproof Type	IP67

Material Info

Engineering Number	FWH3-25S-3649
--------------------	---------------



Series image - Reference only

EU ELV

Not Reviewed

EU RoHS

Not Reviewed

REACH SVHC

Not Reviewed

Halogen-Free

Status

Not Reviewed

For more information, please visit [Contact US](#)

China ROHS

Not Reviewed

ELV

Not Reviewed

RoHS Phthalates

Not Reviewed

Search Parts in this Series

[173114 Series](#)