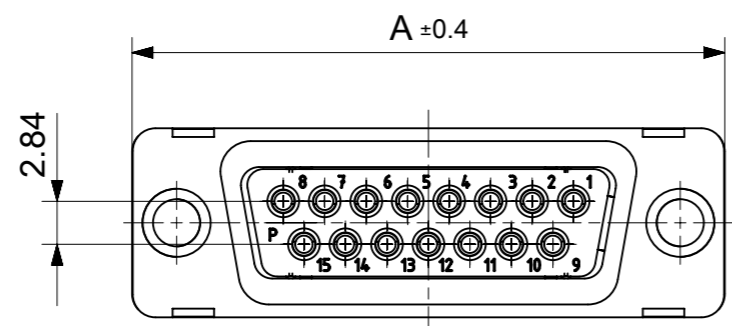
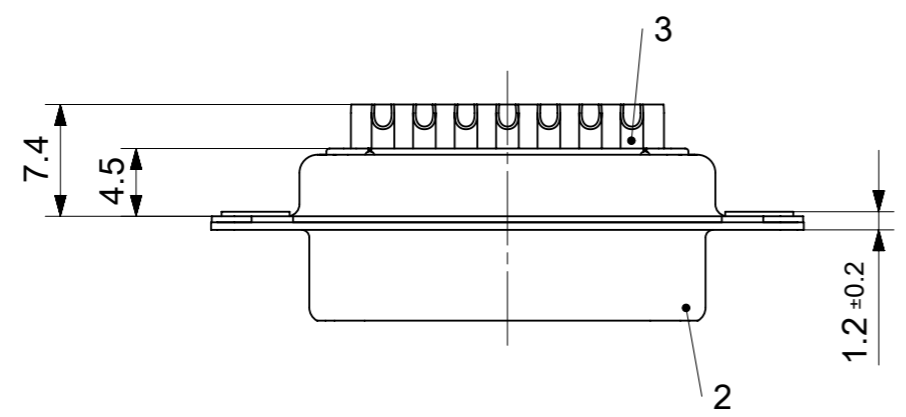
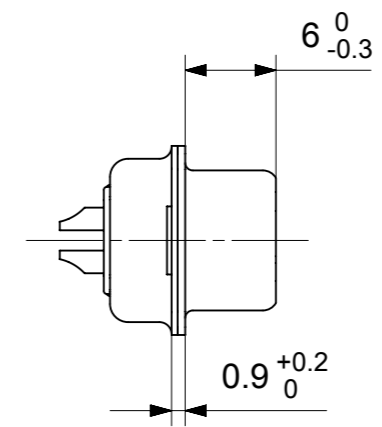
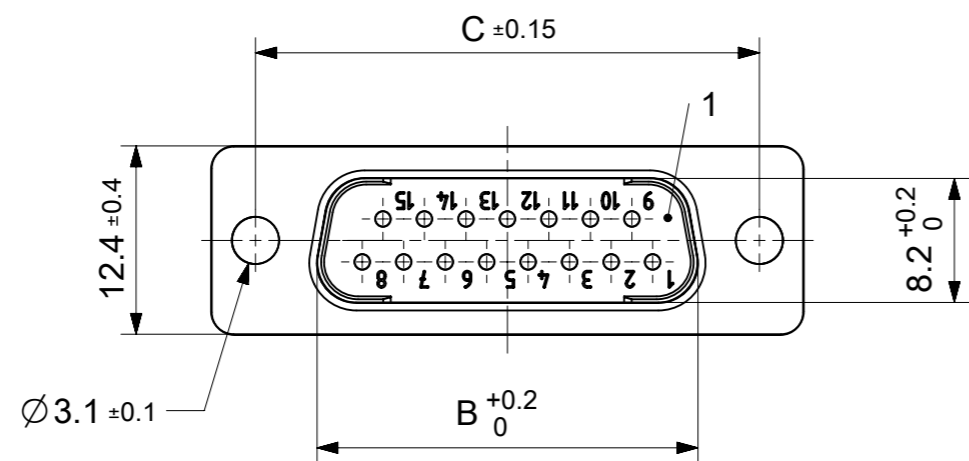


RoHS compliant  
by exemption



FCT Part number:  
Fxx\*1)P0G0-1424  
e.g. F15P0G0-1424  
\*1) xx No. of contacts 09, 15, 25 or 37

Material Number	xx*1)	A[mm]	B[mm]	C[mm]
1731140121	09	30.8	16.9	25
1731140242	15	39.1	25.2	33.3
1731140122	25	53	38.9	47.04
1731140301	37	69.3	55.3	63.5

Permeability is tested for the whole connector.  
Permeability less than 1.0025.

No.	Pc.	Part	Type Description/Material	Surface plating/Color/Class
3	xx	Signal contact	P0 / Brass (nonmagnetic)	1.3µm Au / AWG 20
2	1	Shell	Brass (nonmagnetic)	blank
1	1	Insulator	PBT (-55°C to +125°C) acc. UL94V-0	white

MEASUREMENTS WITHOUT TOLERANCE ACC TO ISO 2768-m			REPLACEMENT FOR DOCUMENT NUMBER: FxxP0G0-1424																										
FUNCTIONAL SYMBOLS																													
THIS DRAWING CONTAINS INFORMATION THAT IS PROPRIETARY TO MOLEX ELECTRONIC TECHNOLOGIES, LLC AND SHOULD NOT BE USED WITHOUT WRITTEN PERMISSION	CURRENT REV DESC:		<p>FCT NONMAGNETIC D-SUB MINIATURE CONN.</p> <p>PRODUCT CUSTOMER DRAWING</p>																										
<table border="1"> <tr> <th>DIMENSION UNITS</th> <th>SCALE</th> </tr> <tr> <td>mm</td> <td>2:1</td> </tr> </table>	DIMENSION UNITS	SCALE				mm	2:1	<table border="1"> <tr> <th>GENERAL TOLERANCES (UNLESS SPECIFIED)</th> <th>ANGULAR TOL</th> </tr> <tr> <td>±</td> <td>°</td> </tr> </table>		GENERAL TOLERANCES (UNLESS SPECIFIED)	ANGULAR TOL	±	°																
DIMENSION UNITS	SCALE																												
mm	2:1																												
GENERAL TOLERANCES (UNLESS SPECIFIED)	ANGULAR TOL																												
±	°																												
<table border="1"> <tr> <th>DIVISIONAL SYMBOLS</th> <th>PLACES</th> <th>TOLERANCE</th> </tr> <tr> <td>4 PLACES</td> <td>±</td> <td></td> </tr> <tr> <td>3 PLACES</td> <td>±</td> <td></td> </tr> <tr> <td>2 PLACES</td> <td>±</td> <td></td> </tr> <tr> <td>1 PLACE</td> <td>±</td> <td></td> </tr> <tr> <td>0 PLACES</td> <td>±</td> <td></td> </tr> </table>		DIVISIONAL SYMBOLS	PLACES	TOLERANCE	4 PLACES	±		3 PLACES	±		2 PLACES	±		1 PLACE	±		0 PLACES	±		<table border="1"> <tr> <td>EC NO: 712973</td> <td>2022/01/20</td> </tr> <tr> <td>DRWN: SKANDB</td> <td>2022/07/12</td> </tr> <tr> <td>CHK'D: MTEUBEL</td> <td>2022/07/12</td> </tr> <tr> <td>APPR: MTEUBEL</td> <td>2022/07/12</td> </tr> </table>		EC NO: 712973	2022/01/20	DRWN: SKANDB	2022/07/12	CHK'D: MTEUBEL	2022/07/12	APPR: MTEUBEL	2022/07/12
DIVISIONAL SYMBOLS	PLACES	TOLERANCE																											
4 PLACES	±																												
3 PLACES	±																												
2 PLACES	±																												
1 PLACE	±																												
0 PLACES	±																												
EC NO: 712973	2022/01/20																												
DRWN: SKANDB	2022/07/12																												
CHK'D: MTEUBEL	2022/07/12																												
APPR: MTEUBEL	2022/07/12																												
<table border="1"> <tr> <td colspan="2">INITIAL REVISION:</td> </tr> <tr> <td>DRWN: SKANDB</td> <td>2022/01/20</td> </tr> <tr> <td>APPR: MTEUBEL</td> <td>2022/07/12</td> </tr> </table>		INITIAL REVISION:		DRWN: SKANDB	2022/01/20	APPR: MTEUBEL	2022/07/12	<table border="1"> <tr> <td>DOCUMENT NUMBER</td> <td>DOC TYPE</td> <td>DOC PART</td> <td>REVISION</td> </tr> <tr> <td>1731140121</td> <td>PSD</td> <td>000</td> <td>A</td> </tr> </table>		DOCUMENT NUMBER	DOC TYPE	DOC PART	REVISION	1731140121	PSD	000	A												
INITIAL REVISION:																													
DRWN: SKANDB	2022/01/20																												
APPR: MTEUBEL	2022/07/12																												
DOCUMENT NUMBER	DOC TYPE	DOC PART	REVISION																										
1731140121	PSD	000	A																										
DRAFT WHERE APPLICABLE MUST REMAIN WITHIN DIMENSIONS		FIRST ANGLE PROJECTION	DRAWING	SERIES	MATERIAL NUMBER	CUSTOMER	SHEET NUMBER																						
			A3-SIZE	173114	SEE TABLE	GENERAL MARKET	1 OF 1																						