

**PLEASE CHECK WWW.MOLEX.COM FOR LATEST PART INFORMATION**

**Part Number:** [1731120176](#)  
**Status:** **Active**  
**Overview:** [FCT D-Sub Connectors](#)  
**Description:** FCT Coaxial Contact, Female, Right-Angle, Solder Cable Termination, 50 Ohms, 1.30µm Gold Plating, for RG-178BU, RG-196AU, or RG-404U Cable

**Documents:**

[Brochure \(PDF\)](#) [RoHS Certificate of Compliance \(PDF\)](#)

**General**

|                  |                                      |
|------------------|--------------------------------------|
| Product Family   | D-Sub Products                       |
| Series           | <a href="#">173112</a>               |
| Contact Type     | Coaxial                              |
| Overview         | <a href="#">FCT D-Sub Connectors</a> |
| Product Category | Contacts                             |
| Product Name     | FCT Products                         |
| Type             | Mixed Layout                         |
| UPC              | 889056489317                         |
| Wire/Cable Type  | RG-178BU, RG-196AU, RG-404U          |

**Physical**

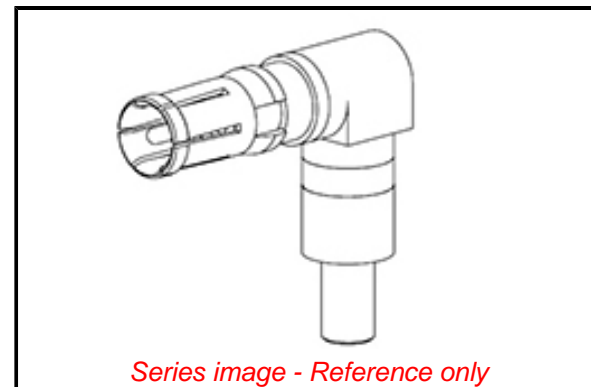
|                                |                  |
|--------------------------------|------------------|
| Durability (mating cycles max) | 500              |
| Gender                         | Female           |
| Material - Contact             | Copper Alloy     |
| Net Weight                     | 3.200/g          |
| Orientation                    | Right-Angle      |
| Packaging Type                 | Bag              |
| Plating - Contact              | Gold over Nickel |
| Plating min - Mating           | 0.800µm          |
| Plating min - Termination      | 1.300µm          |
| Temperature Range - Operating  | -55° to +135°C   |
| Termination Style              | Solder           |

**Electrical**

|                               |      |
|-------------------------------|------|
| Current - Maximum per Contact | 2.0A |
| Impedance                     | 50Ω  |

**Material Info**

|                    |            |
|--------------------|------------|
| Engineering Number | FMX031S102 |
|--------------------|------------|



*Series image - Reference only*

**EU ELV**

**Not Relevant**

**EU RoHS**

**Compliant with Exemption 6(c)**

**REACH SVHC**

Not Reviewed

**Halogen-Free**

**Status**

**Not Reviewed**

For more information, please visit [Contact US](#)

China ROHS

50 Image

ELV

Not Relevant

RoHS Phthalates

Not Contained

**Search Parts in this Series**

[173112 Series](#)

**Use With**

FCT Mixed Layout Connectors