

**PLEASE CHECK WWW.MOLEX.COM FOR LATEST PART INFORMATION**

**Part Number:** [1731120175](#)  
**Status:** **Active**  
**Overview:** [FCT D-Sub Connectors](#)  
**Description:** FCT Coaxial Contact, Female, Right-Angle, Solder Cable Termination, 50 Ohms, 1.30µm Gold Plating, without Inspection Hole, for RG-174U, RG-188AU, or RG-316U Cable

**Documents:**

[Brochure \(PDF\)](#) [RoHS Certificate of Compliance \(PDF\)](#)

**General**

Product Family	D-Sub Products
Series	<a href="#">173112</a>
Contact Type	Coaxial
Overview	<a href="#">FCT D-Sub Connectors</a>
Product Category	Contacts
Product Name	FCT Products
Type	Mixed Layout
UPC	889056489300
Wire/Cable Type	RG-174U, RG-188AU, RG-316U

**Physical**

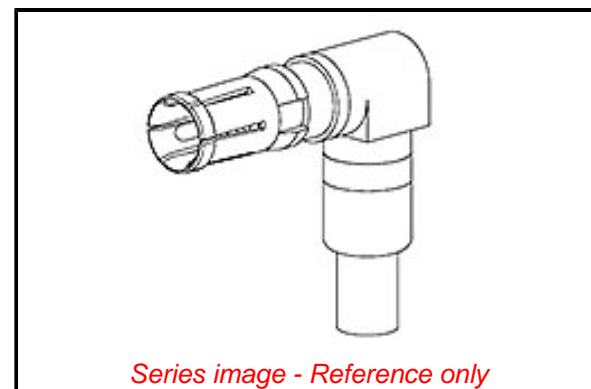
Durability (mating cycles max)	500
Gender	Female
Material - Contact	Copper Alloy
Net Weight	3.300/g
Orientation	Right-Angle
Packaging Type	Bag
Plating - Contact	Gold over Nickel
Plating min - Mating	0.800µm
Plating min - Termination	1.300µm
Temperature Range - Operating	-55° to +135°C
Termination Style	Solder

**Electrical**

Current - Maximum per Contact	2.0A
Impedance	50Ω

**Material Info**

Engineering Number	FMX029S102
--------------------	------------



*Series image - Reference only*

**EU ELV**

**Not Relevant**

**EU RoHS**

**Compliant with Exemption 6(c)**

**REACH SVHC**

Not Reviewed

**Halogen-Free**

**Status**

**Not Reviewed**

For more information, please visit [Contact US](#)

China ROHS

ELV

RoHS Phthalates

**China RoHS**

50 Image

Not Relevant

Not Contained

**Search Parts in this Series**

[173112 Series](#)

**Use With**

FCT Mixed Layout Connectors