

PLEASE CHECK WWW.MOLEX.COM FOR LATEST PART INFORMATION

Part Number: [1731120161](#)
Status: **Active**
Overview: [FCT D-Sub Connectors](#)
Description: FCT High Power Contact, Male, Right-Angle, PCB Through Hole, 0.10µm Gold over Nickel Phosphorus Plating, 40.0A, 4.05mm PCB Drilling Diameter

Documents:

[Brochure \(PDF\)](#) [RoHS Certificate of Compliance \(PDF\)](#)

General

Product Family	D-Sub Products
Series	173112
Contact Type	High Power
Overview	FCT D-Sub Connectors
Product Category	Contacts
Product Name	FCT Products
Type	Mixed Layout
UPC	889056489164

Physical

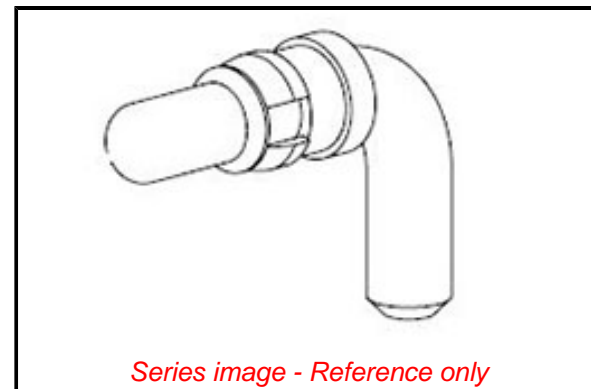
Durability (mating cycles max)	500
Gender	Male
Material - Contact	Copper Alloy
Material - Retaining Clip	Copper Alloy
Net Weight	2.800/g
Orientation	Right-Angle
Packaging Type	Bag
Plating - Contact	Gold over Nickel Phosphorus
Plating min - Mating	0.100µm
Plating min - Termination	5.000µm
Temperature Range - Operating	-55° to +155°C
Termination Style	Through Hole

Electrical

Current - Maximum per Contact	40.0A
-------------------------------	-------

Material Info

Engineering Number	FMP009P203
--------------------	------------



Series image - Reference only

EU ELV

Not Relevant

EU RoHS

Compliant with Exemption 6(c)

REACH SVHC

Not Reviewed

Halogen-Free

Status

Not Reviewed

For more information, please visit [Contact US](#)

China ROHS

50 Image

ELV

Not Relevant

RoHS Phthalates

Not Contained

Search Parts in this Series

[173112 Series](#)

Use With

FCT Mixed Layout Connectors