

**PLEASE CHECK WWW.MOLEX.COM FOR LATEST PART INFORMATION**

**Part Number:** [1731120141](#)  
**Status:** **Active**  
**Overview:** [FCT D-Sub Connectors](#)  
**Description:** FCT Pneumatic Contact, Male, Right-Angle, 2.00mm Tube Inner Diameter

**Documents:**

[Brochure \(PDF\)](#) [RoHS Certificate of Compliance \(PDF\)](#)

**General**

Product Family	D-Sub Products
Series	<a href="#">173112</a>
Contact Type	Pneumatic
Overview	<a href="#">FCT D-Sub Connectors</a>
Product Category	Contacts
Product Name	FCT Products
Type	Mixed Layout
UPC	889056488969

**Physical**

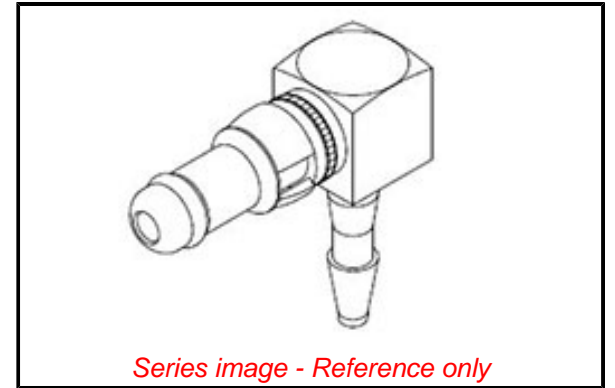
Durability (mating cycles max)	500
Gender	Male
Material - Contact	Metal Alloy
Material - Retaining Clip	PEI
Net Weight	2.600/g
Orientation	Right-Angle
Packaging Type	Bag
Plating - Contact	N/A
Temperature Range - Operating	-10° to +60°C

**Electrical**

Current - Maximum per Contact	N/A
-------------------------------	-----

**Material Info**

Engineering Number	FMG006P149KR
--------------------	--------------



**EU ELV**

**Not Relevant**

**EU RoHS**

**Compliant with Exemption 6(c)**

**REACH SVHC**

Contained Per -  
D(2020)4578-DC (25  
June 2020)

Lead

**Halogen-Free**

**Status**

**Not Reviewed**

For more information, please visit [Contact US](#)

China ROHS

ELV

RoHS Phthalates

**China RoHS**

50 Image

Not Relevant

Not Contained

**Search Parts in this Series**

[173112 Series](#)

**Use With**

FCT Mixed Layout Connectors