

PLEASE CHECK WWW.MOLEX.COM FOR LATEST PART INFORMATION

Part Number: [1731110133](#)
Status: **Active**
Overview: [FCT D-Sub Connectors](#)
Description: FCT Plastic Backshell for D-Sub Connector, Shielded, Shell Size 2, Straight Cable Outlet, Large Inner Chamber, with Knurled Thumb Screw Lock

Documents:

[Datasheet \(PDF\)](#)
[Brochure \(PDF\)](#)

[RoHS Certificate of Compliance \(PDF\)](#)

General

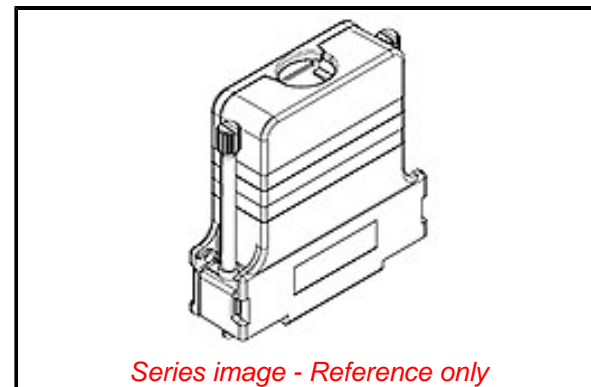
Product Family	D-Sub Products
Series	173111
Overview	FCT D-Sub Connectors
Product Category	Backshell
Product Name	FCT Products
Type	Plastic
UPC	889056488341

Physical

Cable Diameter	4.00-11.00mm
Material - Backshell	ABS / PC+ABS
Material - Screw	Brass
Mounting Style	Knurled Thumb Screw Lock
Net Weight	25.000/g
Orientation	Straight
Packaging Type	Bag
Plating - Backshell	Nickel
Shield Type	Shielded Plastic
Shielded	Yes
Temperature Range - Operating	-35° to +95°C
Thread Size	4-40 UNC
Thread Type	Standard
Tightening Test Torque	40 Ncm
Waterproof / Dustproof	No

Material Info

Engineering Number	FKC2GA-K994E
--------------------	--------------



Series image - Reference only

EU ELV

Not Relevant

EU RoHS

Compliant with Exemption 6(c),6(a)

REACH SVHC

Not Reviewed

Halogen-Free

Status

Not Reviewed

For more information, please visit [Contact US](#)

China ROHS

50 Image

ELV

Not Relevant

RoHS Phthalates

Not Contained

Search Parts in this Series

[173111 Series](#)

Use With

FCT D-Sub, Size 2

PLEASE CHECK WWW.MOLEX.COM FOR LATEST PART INFORMATION