

**PLEASE CHECK WWW.MOLEX.COM FOR LATEST PART INFORMATION**

**Part Number:** [1731110100](#)  
**Status:** **Active**  
**Overview:** [FCT D-Sub Connectors](#)  
**Description:** FCT Plastic Backshell for D-Sub Connector, Black, Shell Size 4, 70° Angle Cable Outlet, Large Inner Chamber, with 4-40 UNC Threaded Insert

**Documents:**

[Datasheet \(PDF\)](#)  
[Brochure \(PDF\)](#)

[RoHS Certificate of Compliance \(PDF\)](#)

**General**

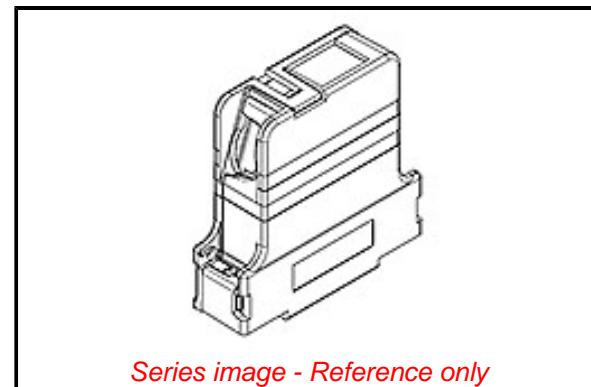
Product Family	D-Sub Products
Series	<a href="#">173111</a>
Overview	<a href="#">FCT D-Sub Connectors</a>
Product Category	Backshell
Product Name	FCT Products
Type	Plastic
UPC	889056488006

**Physical**

Cable Diameter	6.00-13.00mm
Color - Resin	Black
Material - Backshell	ABS / PC+ABS
Mounting Style	Threaded Insert
Net Weight	43.000/g
Orientation	70° Angle
Packaging Type	Bag
Plating - Backshell	None
Shield Type	None
Shielded	No
Temperature Range - Operating	-35° to +120°C
Thread Size	4-40 UNC
Thread Type	Standard
Tightening Test Torque	40 Ncm
Waterproof / Dustproof	No

**Material Info**

Engineering Number	FKC4-K774E
--------------------	------------



*Series image - Reference only*

**EU ELV**

**Not Relevant**

**EU RoHS**

**Not Reviewed**

**REACH SVHC**

Contained Per -  
ED/71/2019 (16 July  
2019)

Lead

**Halogen-Free**

**Status**

**Not Reviewed**

For more information, please visit [Contact US](#)

China ROHS

Not Reviewed

ELV

Not Relevant

RoHS Phthalates

Not Contained

**Search Parts in this Series**

[173111 Series](#)

**Use With**

FCT D-Sub, Size 4