

PLEASE CHECK WWW.MOLEX.COM FOR LATEST PART INFORMATION

Part Number: [1731110022](#)
Status: **Active**
Overview: [FCT D-Sub Connectors](#)
Description: FCT Plastic Backshell for D-Sub Connector, Black, Shell Size 4, Straight Cable Outlet

Documents:

[Brochure \(PDF\)](#) [RoHS Certificate of Compliance \(PDF\)](#)

General

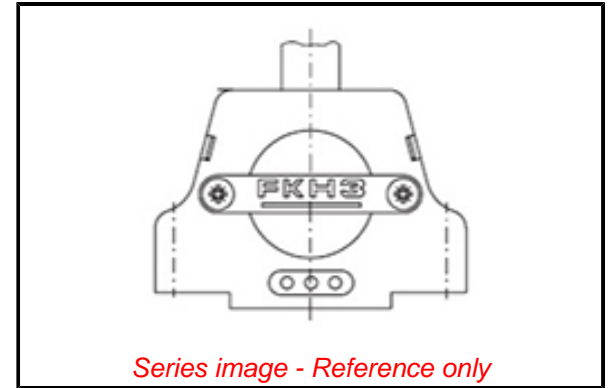
Product Family	D-Sub Products
Series	173111
Overview	FCT D-Sub Connectors
Product Category	Backshell
Product Name	FCT Products
Type	Plastic
UPC	889056325110

Physical

Cable Diameter	8.00-10.50mm
Color - Resin	Black
Material - Backshell	PC+ABS
Net Weight	19.500/g
Orientation	Straight
Packaging Type	Bag
Plating - Backshell	None
Shield Type	None
Shielded	No
Temperature Range - Operating	-35° to +120°C
Tightening Test Torque	40 Ncm
Waterproof / Dustproof	No

Material Info

Engineering Number FKH4E



EU ELV

Not Relevant

EU RoHS

Compliant with Exemption 6(a)-I

REACH SVHC

Contained Per - ED/71/2019 (16 July 2019)

Lead

Halogen-Free

Status

Not Reviewed

For more information, please visit [Contact US](#)

China ROHS

50 Image

ELV

Not Relevant

RoHS Phthalates

Not Contained

Search Parts in this Series

[173111 Series](#)

Use With

FCT D-Sub, Size 4

PLEASE CHECK WWW.MOLEX.COM FOR LATEST PART INFORMATION