

**PLEASE CHECK WWW.MOLEX.COM FOR LATEST PART INFORMATION**

**Part Number:** [1731110020](#)  
**Status:** **Active**  
**Overview:** [FCT D-Sub Connectors](#)  
**Description:** FCT Plastic Backshell for D-Sub Connector, Black, Shell Size 2, Straight Cable Outlet

**Documents:**

[Brochure \(PDF\)](#) [RoHS Certificate of Compliance \(PDF\)](#)

**General**

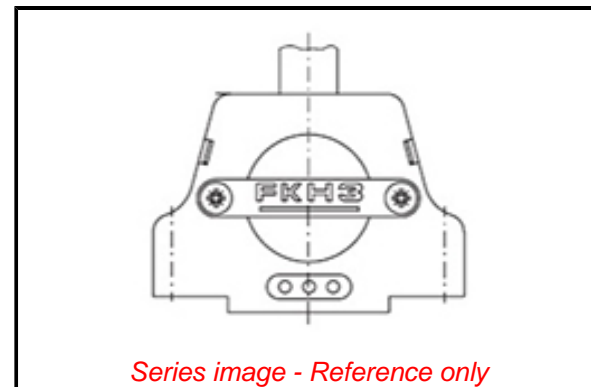
Product Family	D-Sub Products
Series	<a href="#">173111</a>
Overview	<a href="#">FCT D-Sub Connectors</a>
Product Category	Backshell
Product Name	FCT Products
Type	Plastic
UPC	889056325097

**Physical**

Cable Diameter	4.50-7.00mm
Color - Resin	Black
Material - Backshell	PC+ABS
Net Weight	12.100/g
Orientation	Straight
Packaging Type	Bag
Plating - Backshell	None
Shield Type	None
Shielded	No
Temperature Range - Operating	-35° to +120°C
Tightening Test Torque	40 Ncm
Waterproof / Dustproof	No

**Material Info**

Engineering Number FKH2E



**EU ELV**

**Not Relevant**

**EU RoHS**

**Compliant with Exemption 6(a)-I,7(c)-I**

**REACH SVHC**

Not Contained Per - D(2020)4578-DC (25 June 2020)

**Halogen-Free**

**Status**

**Not Low-Halogen**

For more information, please visit [Contact US](#)

China ROHS

ELV

RoHS Phthalates

**China RoHS**

Green Image

Not Relevant

Not Contained

**Search Parts in this Series**

[173111 Series](#)

**Use With**

FCT D-Sub, Size 2

**PLEASE CHECK WWW.MOLEX.COM FOR LATEST PART INFORMATION**