

**PLEASE CHECK WWW.MOLEX.COM FOR LATEST PART INFORMATION**

**Part Number:** [1731090074](#)  
**Status:** **Active**  
**Overview:** FCT D-Sub Connectors  
**Description:** FCT Standard-Density D-Sub Connector, Female, Straight, PCB Through Hole, Gold Plating, 500 Mating Cycles, 6.60mm Snap-in Bolt, 9 Circuits

**Documents:**

[Datasheet \(PDF\)](#)

[Brochure \(PDF\)](#)

[RoHS Certificate of Compliance \(PDF\)](#)

**General**

|                  |                             |
|------------------|-----------------------------|
| Product Family   | D-Sub Products              |
| Series           | <a href="#">173109</a>      |
| IP Rating        | IP20                        |
| Overview         | <u>FCT D-Sub Connectors</u> |
| Product Category | D-Sub Connector             |
| Product Name     | FCT Products                |
| Type             | Standard Density            |
| UPC              | 889056411332                |

**Physical**

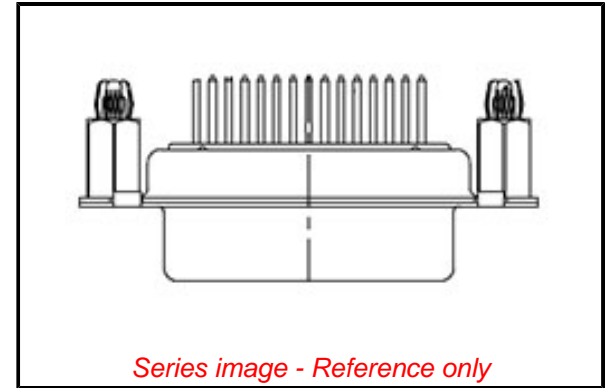
|                                |                  |
|--------------------------------|------------------|
| Circuits (Loaded)              | 9                |
| Circuits (maximum)             | 9                |
| Color - Resin                  | White            |
| Durability (mating cycles max) | 500              |
| Gender                         | Female           |
| Material - Contact             | Copper Alloy     |
| Material - Resin               | PBT              |
| Material - Shell               | Steel            |
| Net Weight                     | 7.200/g          |
| Number of Rows                 | 2                |
| Orientation                    | Straight         |
| PC Tail Length                 | 10.30mm          |
| PCB Locator                    | Yes              |
| PCB Retention                  | Yes              |
| PCB Thickness - Recommended    | 1.60mm           |
| Packaging Type                 | Carton           |
| Panel Mount                    | Rear             |
| Panel Mount Method             | Thread-In        |
| Pitch - Mating Interface       | 2.84mm           |
| Pitch - Termination Interface  | 2.84mm           |
| Plating - Contact              | Gold over Nickel |
| Plating - Shell                | Tin              |
| Polarized to Mating Part       | Yes              |
| Polarized to PCB               | Yes              |
| Ports                          | 1                |
| Shielded                       | Yes              |
| Temperature Range - Operating  | -55° to +125°C   |
| Termination Style              | Through Hole     |
| Waterproof / Dustproof         | No               |
| Waterproof / Dustproof Type    | IP20             |

**Electrical**

|                               |      |
|-------------------------------|------|
| Current - Maximum per Contact | 7.5A |
|-------------------------------|------|

**Material Info**

|                    |              |
|--------------------|--------------|
| Engineering Number | F09S1G1-0982 |
|--------------------|--------------|



*Series image - Reference only*

**EU ELV**

**Not Relevant**

**EU RoHS**

**Compliant with Exemption 6(c)**

**REACH SVHC**

Not Reviewed

**Halogen-Free**

**Status**

**Not Reviewed**

For more information, please visit [Contact US](#)

China ROHS

ELV

RoHS Phthalates

**China RoHS**

50 Image

Not Relevant

Not Contained

**Search Parts in this Series**

[173109 Series](#)

**Mates With**

FCT Standard-Density D-Sub, Size 1, 9 Position, Plug

This document was generated on 04/10/2020

**PLEASE CHECK [WWW.MOLEX.COM](http://WWW.MOLEX.COM) FOR LATEST PART INFORMATION**