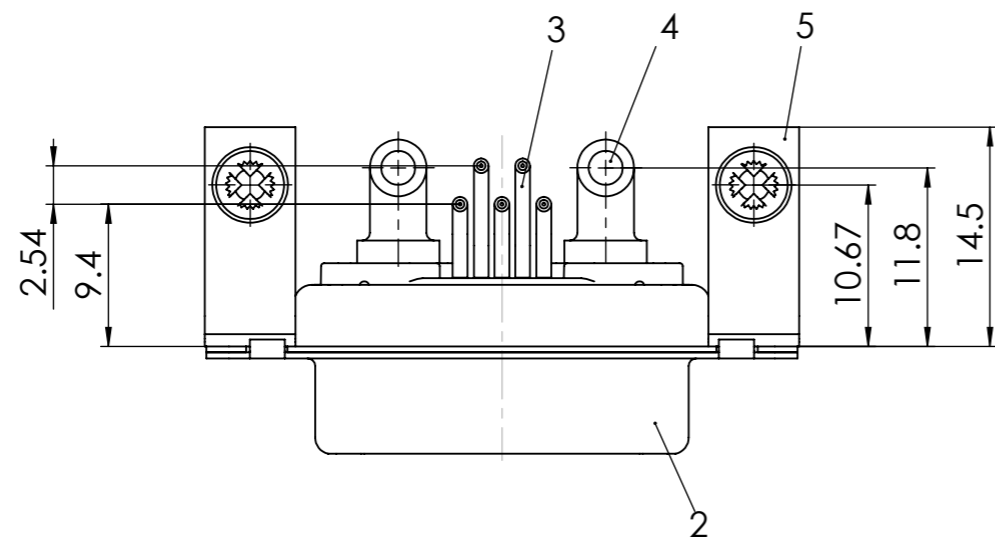
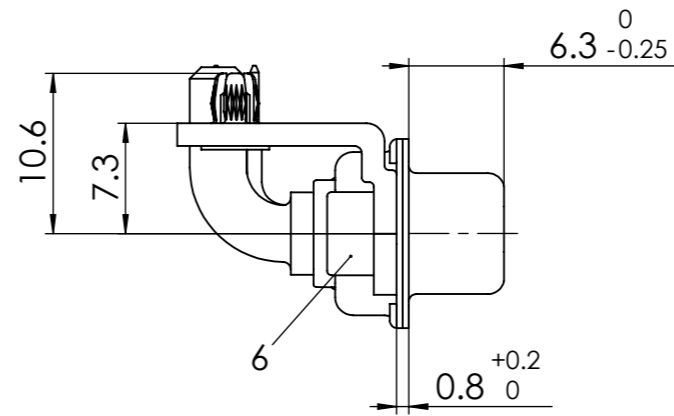
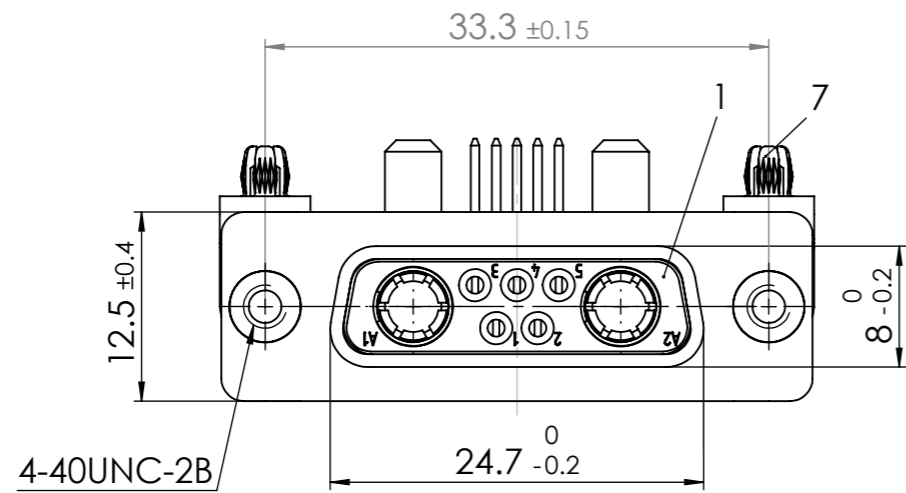
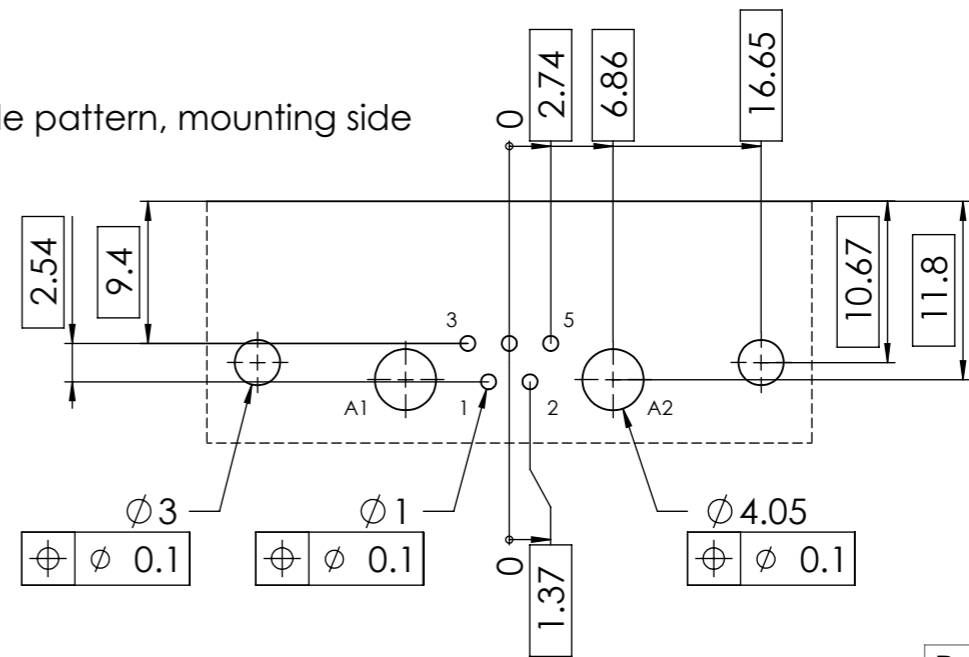


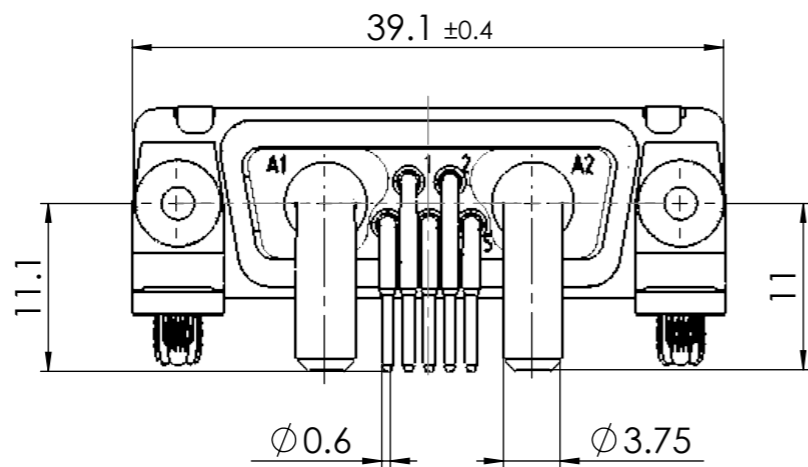
COMMENT: ALL RIGHTS ARE RESERVED BY US FOR THIS DRAWING. WITHOUT OUR PRIOR CONSENT, IT MAY NEITHER BE DUPLICATED NOR MADE AVAILABLE TO A THIRD PARTY. AND IT ALSO MAY NOT BE IMPROPERLY USED BY THE RECEIVER, OR A THIRD PARTY.



PCB hole pattern, mounting side



RoHS compliant by exemption



No.	St.	Part	Type Description/Material	Surface plating/Colour/Class
7	2	Snap-in rivet	PCB 1.6mm / Brass	tin plated
6	2	Clinch nut	MW 4-40 / Steel	tin plated
5	2	Bracket	F1080-13B / Steel	tin plated
4	2	High power contact	FMP009S104R	40A
3	5	Signal contact	S5 / Brass	0.8µm Au
2	1	Shell	Steel	tin plated
1	1	Insulator	PBT (-55°C - +130°C)	green

SYMBOLS					THIS DRAWING CONTAINS INFORMATION THAT IS PROPRIETARY TO MOLEX ELECTRONIC TECHNOLOGIES, LLC AND SHOULD NOT BE USED WITHOUT WRITTEN PERMISSION				
▽ = 0	▽ = 0	▽ = 0	▽ = 0	▽ = 0	DIMENSION UNITS	SCALE	MEASUREMENTS WITHOUT TOLERANCE ACC. TO	molex	
▽ = 0	▽ = 0	▽ = 0	▽ = 0	mm	2:1	ISO 2768-m	FCT D-Sub Mixed-Layout Connector		
▽ = 0	▽ = 0	▽ = 0	▽ = 0	▽ = 0	CURRENT REVISION			PRODUCT CUSTOMER DRAWING	
▽ = 0	▽ = 0	▽ = 0	▽ = 0	▽ = 0	DRWN: DRAWN BY mteubel 08-07-2020			MATERIAL NUMBER	
▽ = 0	▽ = 0	▽ = 0	▽ = 0	▽ = 0	APPR: APPR BY mteubel 08-07-2020			REVISION	
▽ = 0	▽ = 0	▽ = 0	▽ = 0	▽ = 0	2	24130	INITIAL REVISION		1731071279
▽ = 0	▽ = 0	▽ = 0	▽ = 0	▽ = 0	1		DRWN: DRAWN BY Denzinger 10-08-2004		
▽ = 0	▽ = 0	▽ = 0	▽ = 0	▽ = 0	REV.	CH.-NO.	APPR: APPR BY fflößmann 10-08-2004		2
▽ = 0	▽ = 0	▽ = 0	▽ = 0	▽ = 0	REPLACEMENT FOR:		THIRD ANGLE PROJECTION	DRAWING	DOCUMENT NUMBER
▽ = 0	▽ = 0	▽ = 0	▽ = 0	▽ = 0				A3-SIZE	FM7W2S5-2125
▽ = 0	▽ = 0	▽ = 0	▽ = 0	▽ = 0				CUSTOMER	SHEET NUMBER
▽ = 0	▽ = 0	▽ = 0	▽ = 0	▽ = 0				GENERAL MARKET	1 OF 1