



**GRACE INERTIA 3.5**

TE Internal #: 1729279-1

Insertion & Extraction Tools, Contact Extraction, Contact-to-Housing, GRACE INERTIA 3.5

[View on TE.com >](#)

Application Tooling > Insertion & Extraction Tools



Insertion & Extraction Tool Type: **Contact Extraction**

Insertion & Extraction Tool Application: **Contact-to-Housing**

**Features**

**Product Type Features**

Insertion & Extraction Tool Type	Contact Extraction
Insertion & Extraction Tool Application	Contact-to-Housing

**Product Compliance**

[For compliance documentation, visit the product page on TE.com>](#)

EU RoHS Directive 2011/65/EU	Out of Scope
EU ELV Directive 2000/53/EC	Out of Scope
China RoHS 2 Directive MIIT Order No 32, 2016	Not reviewed for China RoHS compliance
EU REACH Regulation (EC) No. 1907/2006	Current ECHA Candidate List: JUNE 2023 (235) Candidate List Declared Against: JAN 2023 (233) Does not contain REACH SVHC
Halogen Content	Low Halogen - Br, Cl, F, I < 900 ppm per homogenous material. Also BFR/CFR/PVC Free
Solder Process Capability	Not applicable for solder process capability

Product Compliance Disclaimer

This information is provided based on reasonable inquiry of our suppliers and represents our current actual knowledge based on the information they provided. This information is subject to change. The part numbers that TE has identified as EU RoHS compliant have a maximum concentration of 0.1% by weight in homogenous materials for lead, hexavalent chromium, mercury, PBB, PBDE, DBP, BBP, DEHP, DIBP, and 0.01% for cadmium, or qualify for an exemption to these limits as defined in the Annexes of Directive 2011/65/EU (RoHS2). Finished electrical and electronic equipment products will be CE marked as required by Directive 2011/65/EU. Components may not be CE marked. Additionally, the part numbers that TE has identified as EU ELV compliant have a maximum concentration of 0.1% by weight in homogenous materials for lead, hexavalent chromium, and mercury, and 0.01% for cadmium, or qualify for an exemption to these limits as defined in the Annexes of Directive 2000/53/EC (ELV). Regarding the REACH Regulation, the information TE provides

on SVHC in articles for this part number is based on the latest European Chemicals Agency (ECHA) 'Guidance on requirements for substances in articles' posted at this URL: <https://echa.europa.eu/guidance-documents/guidance-on-reach>

## Compatible Parts



TE Part # CAT-G7534-P729  
STD Temp GRACE INERTIA Plug



TE Part # CAT-G7534-T111  
GRACE INERTIA Tab



TE Part # CAT-G7534-C1701  
STD Temp GRACE INERTIA Cap




TE Part # 1565089-1  
GRACE INERTIA CONNECTOR 3.5 2P



TE Part # 1612334-1  
GRACE INERTIA 3.5 REC CONTACT (M)


## Also in the Series | GRACE INERTIA 3.5



Connector Contacts(4)



Connector Hardware(4)



Insertion & Extraction Tools(1)



Rectangular Power Connectors(63)

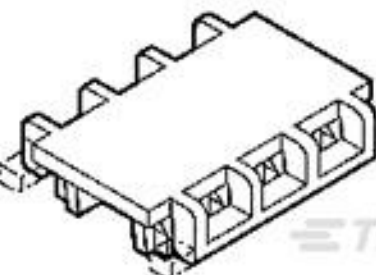
## Customers Also Bought



TE Part #640251-8  
08P SL156 HSG W/O LCK RAMP



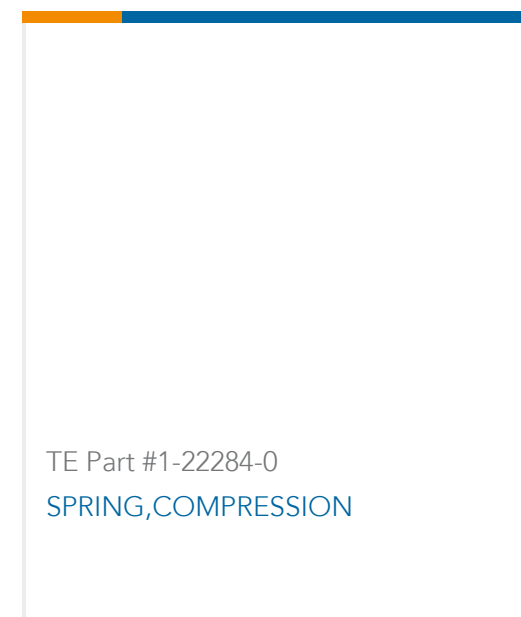
TE Part #2-1971905-2  
PLUG HOUSING 4POS,KEYING-B, NEW GIC3.3



TE Part #643071-5  
05P MTA156 FD-THRU COVER



TE Part #4-1971793-3  
NEW GI CONN2.5 PLUG HSG 4P RED



## Documents

### Product Drawings

[EXTRACTION TOOL FOR GIC 3.5 CONN.](#)

Japanese

### Instruction Sheets

[Extraction Tool for GIC 3.5 Conn.](#)

Japanese

[Instruction Sheet \(non U.S.\)](#)

Japanese