



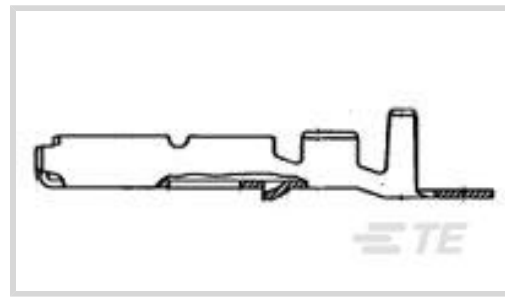
AMP | Mark II

TE Internal #: 172773-4

Automotive Terminals, Receptacle, Mating Tab Width 3 mm [.118 in], Tab Thickness .65 mm [.025 in], 20 – 14 AWG Wire Size, Mark II

[View on TE.com >](#)

Terminals & Splices > Automotive Terminals



Terminal Type: **Receptacle**

Mating Tab Width: **3 mm [.118 in]**

Mating Tab Thickness: **.65 mm [.025 in]**

Terminal Transmits: **0 – 24 A (Low Power)**

Wire Size: **20 – 14 AWG**

Features

Product Type Features

Receptacle Style	180°
Sealable	No

Contact Features

Contact Size	3mm
Contact Fabrication	Stamped & Formed
Wire Contact Termination Area Plating Material	Tin
Crimp Type	F-Crimp
Terminal Type	Receptacle
Mating Tab Width	3 mm [.118 in]
Mating Tab Thickness	.65 mm [.025 in]
Interface Plating	Tin (Sn)

Termination Features

Termination Method to Wire & Cable	Crimp
Product Terminates To	Wire

Dimensions

Compatible Insulation Diameter Range	2.1 – 3.4 mm [.082 – .133 in]
Wire Size	.5 – 2 mm ²
Wire Size Search	14 AWG, 15 AWG, 16 AWG, 17 AWG, 18 AWG, 19 AWG, 20 AWG



Usage Conditions

Insulation Option	Uninsulated
Operating Temperature (Max)	80 °C, 85 °C, 90 °C, 100 °C, 105 °C [176 °F] [185 °F][194 °F][212 °F][221 °F]
Operating Temperature Range	-30 – 105 °C [-22 – 221 °F]

Packaging Features

Packaging Quantity	3500
Packaging Method	Reel

Other

Terminal Transmits	0 – 24 A (Low Power)
--------------------	----------------------

Product Compliance

[For compliance documentation, visit the product page on TE.com>](#)

EU RoHS Directive 2011/65/EU	Compliant
EU ELV Directive 2000/53/EC	Compliant
China RoHS 2 Directive MIIT Order No 32, 2016	No Restricted Materials Above Threshold
EU REACH Regulation (EC) No. 1907/2006	Current ECHA Candidate List: JUNE 2024 (241) Candidate List Declared Against: JAN 2024 (240) Does not contain REACH SVHC
Halogen Content	Low Halogen - Br, Cl, F, I < 900 ppm per homogenous material. Also BFR/CFR/PVC Free
Solder Process Capability	Not applicable for solder process capability

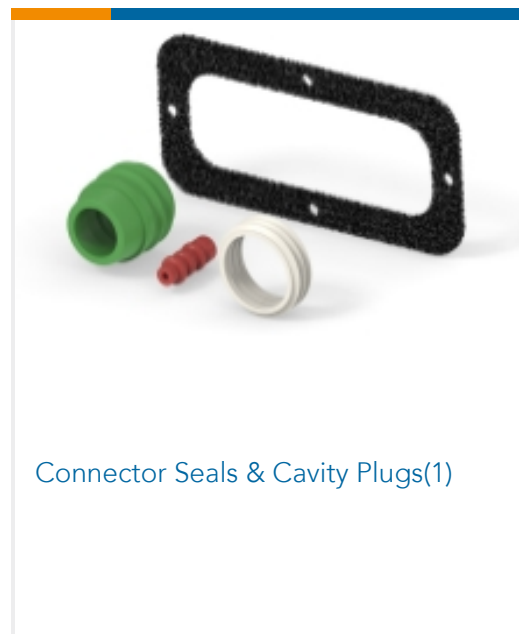
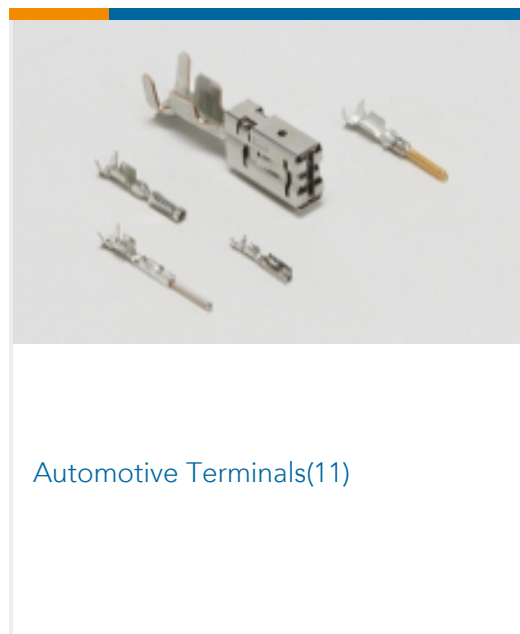
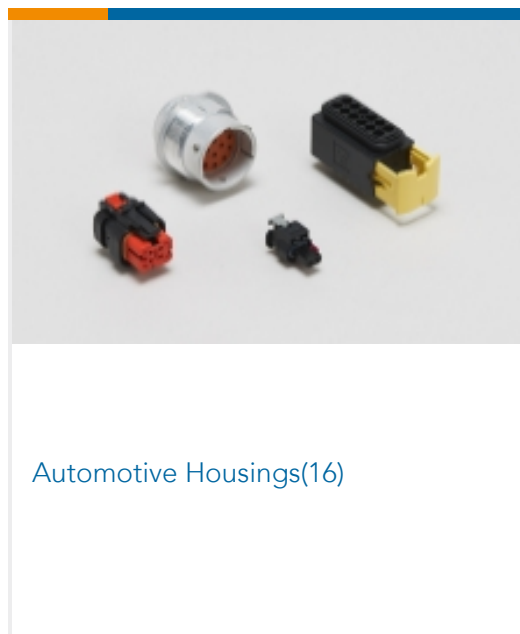
Product Compliance Disclaimer

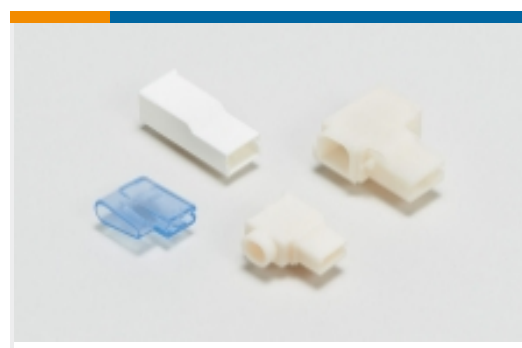
This information is provided based on reasonable inquiry of our suppliers and represents our current actual knowledge based on the information they provided. This information is subject to change. The part numbers that TE has identified as EU RoHS compliant have a maximum concentration of 0.1% by weight in homogenous materials for lead, hexavalent chromium, mercury, PBB, PBDE, DBP, BBP, DEHP, DIBP, and 0.01% for cadmium, or qualify for an exemption to these limits as defined in the Annexes of Directive 2011/65/EU (RoHS2). Finished electrical and electronic equipment products will be CE marked as required by Directive 2011/65/EU. Components may not be CE marked. Additionally, the part numbers that TE has identified as EU ELV compliant have a maximum concentration of 0.1% by weight in homogenous materials for lead, hexavalent chromium, and mercury, and 0.01% for cadmium, or qualify for an exemption to these limits as defined in the Annexes of Directive 2000/53/EC (ELV). Regarding the REACH Regulation, the information TE provides on SVHC in articles for this part number is based on the latest European Chemicals Agency (ECHA) 'Guidance on requirements for substances in articles' posted at this URL: <https://echa.europa.eu/guidance-documents/guidance-on-reach>

Compatible Parts

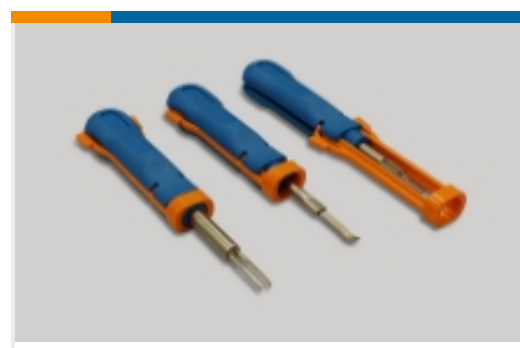


Also in the Series | **Mark II**

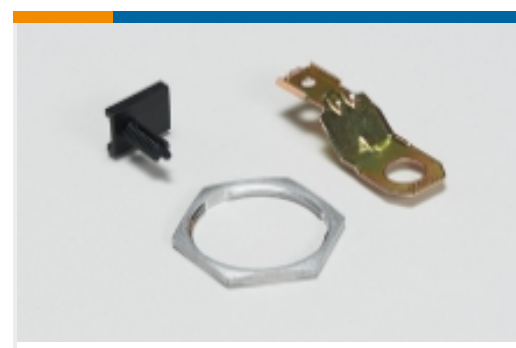




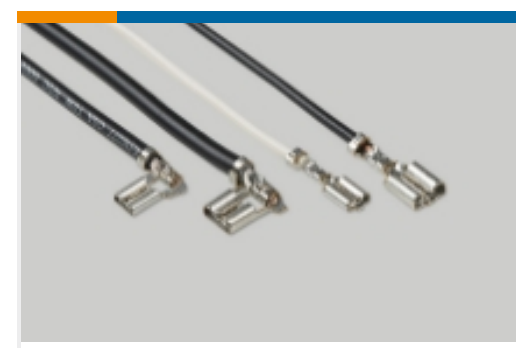
Crimp Terminal Housings(76)



Insertion & Extraction Tools(2)

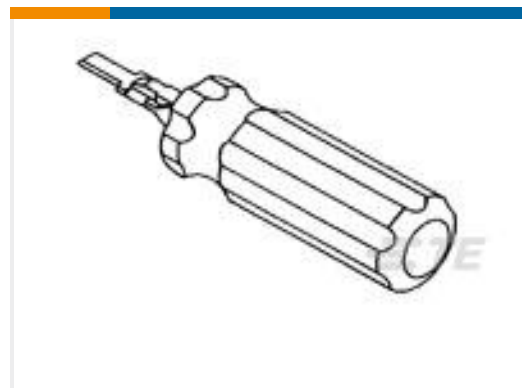
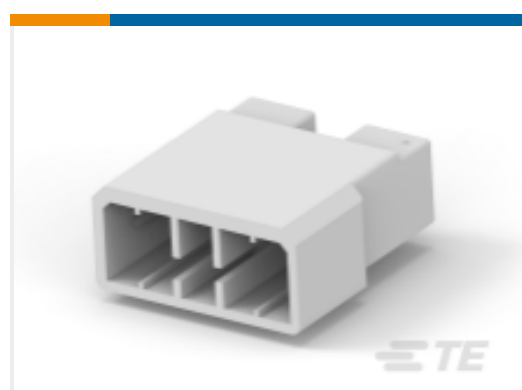
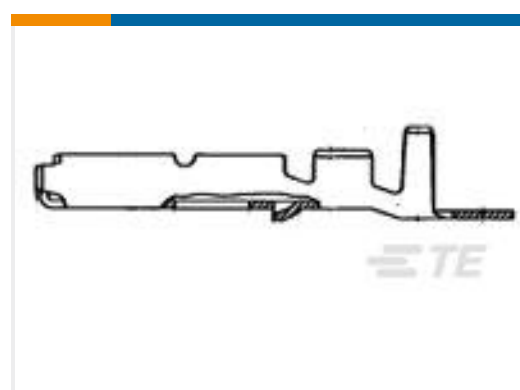
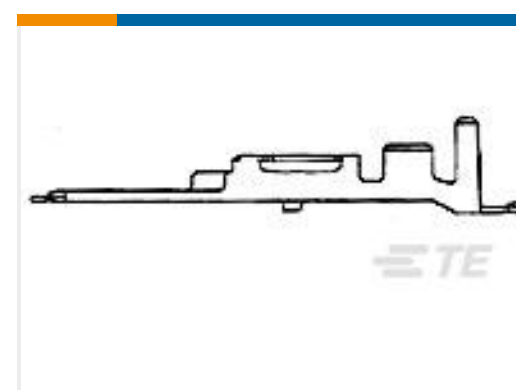


Other Automotive Connector Accessories(2)



Quick Disconnects(57)

Customers Also Bought

TE Part #753787-1
EXTRACTION TOOL FOR MIC MK IITE Part #172515-1
MIC 13P CAP HSG W/FTE Part #51992-3
TERMINAL,COPALUM R 3/0 1/2TE Part #172508-1
MIC CAP HSG 13P MK IITE Part #172506-1
MIC CAP HSG 9P MK IITE Part #172774-2
MIC MK-2 REC CONTACT LPTE Part #2290314-1
MIC MARK2 21POS. PLUG HOUSING.TE Part #172778-1
MIC MK-2 TAB LPTE Part #174175-1
MIC MARK II 21P MARKINGTE Part #174170-1
MIC MARK II 9P P MARKING

Documents

Product Drawings

MIC MARK-2 REC B TYPE CONTACT

Japanese

CAD Files

3D PDF

3D

Customer View Model

ENG_CVM_CVM_172773-4_U.2d_dxf.zip



English

Customer View Model

[ENG_CVM_CVM_172773-4_U.3d_igs.zip](#)

English

Customer View Model

[ENG_CVM_CVM_172773-4_U.3d_stp.zip](#)

English

By downloading the CAD file I accept and agree to the [Terms and Conditions](#) of use.

Product Specifications

Application Specification

English

[Crimping Multi-Interlock \(MIC\) Conn. Mark II, Rec. Contact](#)

English

Instruction Sheets

Instruction Sheet (non U.S.)

English

[Multi-Interlock Mark II Contact From Plug & Cap HSG](#)

English