

**PLEASE CHECK WWW.MOLEX.COM FOR LATEST PART INFORMATION**

**Part Number:** [1722872306](#)  
**Status:** **Active**  
**Overview:** [Ultra-Fit Power Connectors](#)  
**Description:** Ultra-Fit Vertical Header, 3.50mm Pitch, Single Row, 6 Circuits, with Solder Clips, 0.76µm Gold (Au) Plating, Natural, Glow-Wire Capable

**Documents:**

|  |  |
|--|--|
| <a href="#">3D Model</a>   | <a href="#">Application Specification AS-172323-0001 (PDF)</a> |
| <a href="#">Drawing (PDF)</a>                                    | <a href="#">Packaging Specification PK-172287-9001 (PDF)</a>   |
| <a href="#">3D Model (PDF)</a>                                   | <a href="#">Symbol Footprint Data SYM-172287-1106 (PDF)</a>    |
| <a href="#">Product Specification 1723230001-TS-000 (PDF)</a>    | <a href="#">RoHS Certificate of Compliance (PDF)</a>           |
| <a href="#">Product Specification 1723231000-PS-CH-000 (PDF)</a> | <a href="#">Product Literature (PDF)</a>                       |
| <a href="#">Product Specification PS-172323-0001-001 (PDF)</a>   |  |

**Agency Certification**

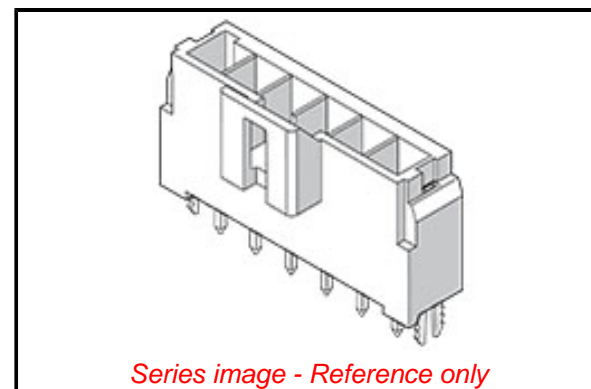
|     |         |
|-----|---------|
| CSA | LR19980 |
| UL  | E29179  |

**General**

|                |   |
|----------------|---|
| Product Family | PCB Headers   |
| Series         | <a href="#">172287</a>  |
| Application    | Power, Wire-to-Board  |
| Comments       | See Product Specification for maximum current rating by circuit size and wire AWG |
| Overview       | <a href="#">Ultra-Fit Power Connectors</a>  |
| Product Name   | Ultra-Fit   |
| UPC            | 887191737089  |

**Physical**

|                                |                        |
|--------------------------------|------------------------|
| Breakaway                      | No                     |
| Circuits (Loaded)              | 6                      |
| Circuits (maximum)             | 6                      |
| Color - Resin                  | Natural                |
| Durability (mating cycles max) | 200                    |
| First Mate / Last Break        | No                     |
| Flammability                   | 94V-0                  |
| Glow-Wire Capable              | Yes                    |
| Guide to Mating Part           | No                     |
| Keying to Mating Part          | Yes                    |
| Lock to Mating Part            | Yes                    |
| Material - Metal               | Copper Alloy           |
| Material - Plating Mating      | Gold                   |
| Material - Plating Termination | Tin                    |
| Material - Resin               | Liquid Crystal Polymer |
| Net Weight                     | 1.926/g                |
| Number of Rows                 | 1                      |
| Orientation                    | Vertical               |
| PC Tail Length                 | 3.20mm                 |
| PCB Locator                    | Yes                    |
| PCB Retention                  | Yes                    |
| PCB Thickness - Recommended    | 1.60mm                 |
| Packaging Type                 | Tray                   |
| Pitch - Mating Interface       | 3.50mm                 |
| Pitch - Termination Interface  | 3.50mm                 |
| Plating min - Mating           | 0.762µm                |
| Plating min - Termination      | 1.524µm                |
| Polarized to Mating Part       | Yes                    |



*Series image - Reference only*

**EU ELV**

**Not Relevant**

**EU RoHS**

**Compliant**

**REACH SVHC**

Not Contained Per -  
D(2020)4578-DC (25  
June 2020)

**Halogen-Free**

**Status**

**Low-Halogen**

For more information, please visit [Contact US](#)

China ROHS

ELV

RoHS Phthalates

**China RoHS**

Green Image

Not Relevant

Not Contained

**Search Parts in this Series**

[172287 Series](#)

**Mates With**

Ultra-Fit Receptacle Housing [1722564106](#)

|  |  |
|--|--|
| Polarized to PCB                               | Yes  |
| Shrouded                                       | Fully  |
| Surface Mount Compatible (SMC)                 | Yes  |
| Temperature Range - Operating                  | -40° to +120°C   |
| Termination Interface: Style                   | Through Hole   |
| <b>Electrical</b>                              |  |
| Current - Maximum per Contact                  | 12.0A  |
| Voltage - Maximum                              | 400V AC (RMS)/DC   |
| <b>Solder Process Data</b>                     |  |
| Duration at Max. Process Temperature (seconds) | 090  |
| Lead-free Process Capability                   | WAVE   |
| Max. Cycles at Max. Process Temperature        | 002  |
| Process Temperature max. C                     | 260  |
| <b>Material Info</b>                           |  |
| <b>Reference - Drawing Numbers</b>             |  |
| Application Specification                      | AS-172323-0001   |
| Packaging Specification                        | PK-172287-9001   |
| Product Specification                          | 1723230001-TS-000, 1723231000-PS-CH-000,<br>PS-172323-0001-001 |
| Sales Drawing                                  | SD-172287-1000-000   |
| Symbol/Footprint Data                          | SYM-172287-1106  |

This document was generated on 09/03/2020

**PLEASE CHECK [WWW.MOLEX.COM](http://WWW.MOLEX.COM) FOR LATEST PART INFORMATION**