

PLEASE CHECK WWW.MOLEX.COM FOR LATEST PART INFORMATION

Part Number: [1722872108](#)
Status: **Active**
Overview: [Ultra-Fit Power Connectors](#)
Description: Ultra-Fit Vertical Header, 3.50mm Pitch, Single Row, 8 Circuits, with Solder Clips, Tin (Sn) Plating, Natural, Glow-Wire Capable

Documents:

3D Model	Application Specification AS-172323-0001 (PDF)
3D Model (PDF)	Packaging Specification PK-172287-9001 (PDF)
Drawing (PDF)	Symbol Footprint Data SYM-172287-1108 (PDF)
Product Specification 1723230001-TS-000 (PDF)	RoHS Certificate of Compliance (PDF)
Product Specification 1723231000-PS-CH-000 (PDF)	Product Literature (PDF)
Product Specification PS-172323-0001-001 (PDF)	

Agency Certification

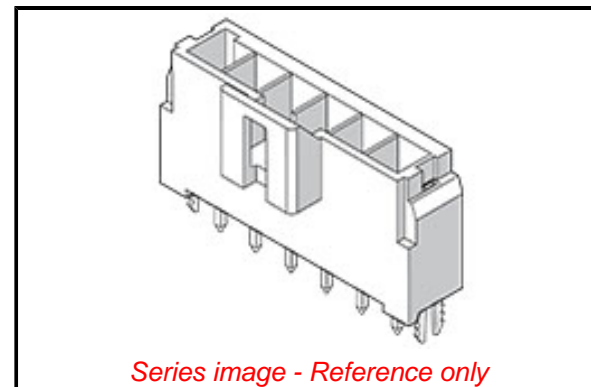
CSA	LR19980
UL	E29179

General

Product Family	PCB Headers
Series	172287
Application	Power, Wire-to-Board
Comments	See Product Specification for maximum current rating by circuit size and wire AWG
Overview	Ultra-Fit Power Connectors
Product Name	Ultra-Fit
UPC	887191736969

Physical

Breakaway	No
Circuits (Loaded)	8
Circuits (maximum)	8
Color - Resin	Natural
Durability (mating cycles max)	25
First Mate / Last Break	No
Flammability	94V-0
Glow-Wire Capable	Yes
Guide to Mating Part	No
Keying to Mating Part	Yes
Lock to Mating Part	Yes
Material - Metal	Copper Alloy
Material - Plating Mating	Tin
Material - Plating Termination	Tin
Material - Resin	Liquid Crystal Polymer
Net Weight	2.386/g
Number of Rows	1
Orientation	Vertical
PC Tail Length	3.20mm
PCB Locator	Yes
PCB Retention	Yes
PCB Thickness - Recommended	1.60mm
Packaging Type	Tray
Pitch - Mating Interface	3.50mm
Pitch - Termination Interface	3.50mm
Plating min - Mating	1.524µm
Plating min - Termination	1.524µm
Polarized to Mating Part	Yes



Series image - Reference only

EU ELV

Not Relevant

EU RoHS

Compliant

REACH SVHC

Contained Per -
D(2020)4578-DC (25
June 2020)
henicosaflluoroundecanoic
acid
disodium 4-
amino-3-[[4'-[(2,4-
diaminophenyl)azo]
chromium trioxide
1,3-propanesultone
1-vinylimidazole
4,4'-methylenedi-o-
toluidine
dibutyltin dichloride
methoxyacetic acid
diisopentylphthalate
disodium 3,3'-[[1,1'-
biphenyl]-4,4'-
diylbis(azo)
octamethylcyclotetrasiloxane
benzene-1,2,4-
tricarboxylic acid 1,2-
anhydride
decamethylcyclopentasiloxane
dodecamethylcyclohexasiloxane
heptacosaflluorotetradecanoic
acid
tricosaflluorododecanoic
acid
di-n-pentyl phthalate
(DPP)
6-methoxy-m-toluidine
furan
1-bromopropane
nitrobenzene
4-o-tolylazo-o-
toluidine
ethylene thiourea

China RoHS

Polarized to PCB Yes
Shrouded Fully
Surface Mount Compatible (SMC) Yes
Temperature Range - Operating -40° to +105°C
Termination Interface: Style Through Hole

Electrical

Current - Maximum per Contact 14.0A
Voltage - Maximum 400V AC (RMS)/DC

Solder Process Data

Duration at Max. Process Temperature (seconds) 090
Lead-free Process Capability WAVE
Max. Cycles at Max. Process Temperature 002
Process Temperature max. C 260

Material Info

Reference - Drawing Numbers

Application Specification AS-172323-0001
Packaging Specification PK-172287-9001
Product Specification 1723230001-TS-000, 1723231000-PS-CH-000,
PS-172323-0001-001
Sales Drawing SD-172287-1000-000
Symbol/Footprint Data SYM-172287-1108

4-methyl-m-phenylenediamine
o-toluidine
butyl 4-hydroxybenzoate
dinoseb (ISO)
dihexyl phthalate (DnHP)
dicyclohexyl phthalate
N-methylacetamide
dimethyl sulphate
diethyl sulphate
4-aminoazobenzene
Fatty acids, C16-18, lead salts
[phthalato(2-)]dioxotrilead
Silicic acid (H₂Si₂O₅), barium salt (1:1), lead-
Perfluorohexane-1-sulphonic acid and its salts
5-sec-butyl-2-(2,4-dimethylcyclohex-3-en-1-yl)-5
1,2-benzenedicarboxylic acid, di-C₆-10-alkyl est
Cadmium sulphate
Sodium perborate; perboric acid, sodium salt
hexahydro-2-benzofuran-1,3-dione
4-(1,1,3,3-tetramethylbutyl)phenol, ethoxylated
Perfluorononan-1-oic acid
(2,2,3,3,4,4,5,5,6,6,7
Reaction
products of 1,3,4-thiadiazolidine-2,5-d
Dodecachloropentacyclo[12.2.1.16,9.02,13.05,10]o
Chrysene
Cadmium nitrate
Pyrene
Tris(4-nonylphenyl, branched and linear)
phosphi
2,3,3,3-tetrafluoro-2-(heptafluoropropoxy)propio
4-(1,1,3,3-tetramethylbutyl)phenol, ethoxylated
Trixylyl phosphate
Zirconia
Aluminosilicate
Refractory Ceramic
Fibr
Aluminosilicate
Refractory Ceramic
Fibres
Boric acid

Disodium tetraborate
Hydrazine
1,3-BENZENEDIOL,
TRINITRO-, LEAD
SALT
n-pentyl-
isopentylphthalate
3-ethyl-2-methyl-2-
(3-methylbutyl)-1,3-
oxazolidi
1,2-
benzenedicarboxylic
acid, dipentylester,
bra
pentacosafuorotridecanoic
acid
1,2-
Benzenedicarboxylic
acid, dihexyl ester,
bra
Terphenyl,
hydrogenated
2-(2H-benzotriazol-2-
yl)-4-(tert-butyl)-6-
(sec-b
2-(2H-benzotriazol-2-
yl)-4,6-
ditertpentylphenol
dibutylbis(pentane-2,4-
dionato-O,O')tin
2-ethylhexyl 10-
ethyl-4,4-dioctyl-7-
oxo-8-oxa-3,
disodium octaborate
sodium
peroxometaborate
ammoniumpentadecafluorooctanoate
pentazinc chromate
octahydroxide
1,2-dichloroethane
trilead diarsenate
2-methoxyaniline
arsenic acid
N,N-
dimethylacetamide
lead dipicrate
potassium
hydroxyoctaoxidizincatedichromate(1-)
bis(2-methoxyethyl)
ether
calcium arsenate
1,2-
benzenedicarboxylic
acid; di-C6-8-
branched a
N-methyl-2-
pyrrolidone
1,2-
benzenedicarboxylic
acid; di-C7-11-
branched
2-ethoxyethyl acetate
cobalt sulphate
cobalt di(acetate)
cobalt carbonate

tetraboron disodium
heptaoxide, hydrate
sodium chromate
potassium dichromate
potassium chromate
ammonium
dichromate
tris(2-chloroethyl)
phosphate
Lead sulfochromate
yellow
Lead chromate
molybdate sulfate red
lead chromate
Anthracene oil,
anthracene-low;
Anthracene Oil F
Anthracene oil,
anthracene paste,
distn. lights;
Anthracene oil,
anthracene paste,
anthracene fra
Anthracene oil,
anthracene paste;
Anthracene Oil
Butylbenzylphthalate
(BBP)
lead hydrogen
arsenate
bis(2-ethylhexyl)
phthalate (DEHP)
dibutyl phthalate
(DBP)
4,4'-
diaminodiphenylmethane
triethyl arsenate
Sulfurous acid, lead
salt, dibasic
Acetic acid, lead salt,
basic
cadmium hydroxide
Lead titanium
zirconium oxide
dioxobis(stearato)trilead
tetralead trioxide
sulphate
trilead dioxide
phosphonate
pentalead tetraoxide
sulphate
lead oxide sulfate
Silicic acid, lead salt
cadmium chloride
lead dinitrate
pyrochlore, antimony
lead yellow
cadmium fluoride
cadmium
lead
 α,α -Bis[4-
(dimethylamino)phenyl]-4
(phenylamino)

[4-[[4-anilino-1-naphthyl][4-(dimethylamino)phenyl-1,3,5-tris(oxiranylmethyl)-1,3,5-triazine-2,4,6(Lead oxide
trilead bis(carbonate) dihydroxide
orange lead
cadmium sulphide
cadmium oxide (non-pyrophoric)
diboron trioxide
bis(pentabromophenyl) ether
4,4'-bis(dimethylamino)-4''-(methylamino)trityl
[4-[4,4'-bis(dimethylamino)benzhydrylidene]cyclcadmium carbonate
1,2-dimethoxyethane
4,4'-bis(dimethylamino)benzophenone
dichromium
tris(chromate)
phenolphthalein
lead diazide
bis(2-methoxyethyl)
phthalate
Formaldehyde,
polymer with
benzenamine

Halogen-Free

Status

Low-Halogen

For more information, please visit [Contact US](#)

China ROHS	Green Image
ELV	Not Relevant
RoHS Phthalates	Not Contained

Search Parts in this Series

[172287](#) Series

Mates With

Ultra-Fit Receptacle Housing [1722564108](#)

This document was generated on 10/14/2020

PLEASE CHECK WWW.MOLEX.COM FOR LATEST PART INFORMATION