

PLEASE CHECK WWW.MOLEX.COM FOR LATEST PART INFORMATION

Part Number: [1722871106](#)
Status: **Active**
Overview: [Ultra-Fit Power Connectors](#)
Description: Ultra-Fit Vertical Header, 3.50mm Pitch, Single Row, 6 Circuits, with Solder Clips, Tin (Sn), Glow-Wire Capable, Black

Documents:

| | |
|--|--|
| 3D Model | Application Specification AS-172323-0001 (PDF) |
| Drawing (PDF) | Packaging Specification PK-172287-9001 (PDF) |
| 3D Model (PDF) | Symbol Footprint Data SYM-172287-1106 (PDF) |
| Product Specification 1723230001-TS-000 (PDF) | RoHS Certificate of Compliance (PDF) |
| Product Specification 1723231000-PS-CH-000 (PDF) | Product Literature (PDF) |
| Product Specification PS-172323-0001-001 (PDF) | |

Agency Certification

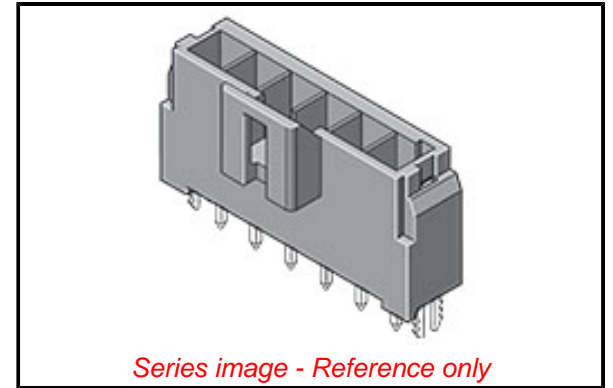
| | |
|-----|---------|
| CSA | LR19980 |
| UL | E29179 |

General

| | |
|----------------|---|
| Product Family | PCB Headers |
| Series | 172287 |
| Application | Power, Wire-to-Board |
| Comments | See Product Specification for maximum current rating by circuit size and wire AWG |
| Overview | Ultra-Fit Power Connectors |
| Product Name | Ultra-Fit |
| UPC | 887191736730 |

Physical

| | |
|--------------------------------|------------------------|
| Breakaway | No |
| Circuits (Loaded) | 6 |
| Circuits (maximum) | 6 |
| Color - Resin | Black |
| Durability (mating cycles max) | 25 |
| First Mate / Last Break | No |
| Flammability | 94V-0 |
| Glow-Wire Capable | Yes |
| Guide to Mating Part | No |
| Keying to Mating Part | Yes |
| Lock to Mating Part | Yes |
| Material - Metal | Copper Alloy |
| Material - Plating Mating | Tin |
| Material - Plating Termination | Tin |
| Material - Resin | Liquid Crystal Polymer |
| Net Weight | 1.920/g |
| Number of Rows | 1 |
| Orientation | Vertical |
| PC Tail Length | 3.20mm |
| PCB Locator | Yes |
| PCB Retention | Yes |
| PCB Thickness - Recommended | 1.60mm |
| Packaging Type | Tray |
| Pitch - Mating Interface | 3.50mm |
| Pitch - Termination Interface | 3.50mm |
| Plating min - Mating | 1.524µm |
| Plating min - Termination | 1.524µm |
| Polarized to Mating Part | Yes |



EU ELV

Not Relevant

EU RoHS

Compliant

REACH SVHC

Not Contained Per -
D(2020)4578-DC (25
June 2020)

Halogen-Free

Status

Low-Halogen

For more information, please visit [Contact US](#)

China ROHS

ELV

RoHS Phthalates

China RoHS

Green Image

Not Relevant

Not Contained

Search Parts in this Series

[172287 Series](#)

Mates With

Ultra-Fit Receptacle Housing [1722563106](#)

| | |
|--|--|
| Polarized to PCB | Yes |
| Shrouded | Fully |
| Surface Mount Compatible (SMC) | Yes |
| Temperature Range - Operating | -40° to +105°C |
| Termination Interface: Style | Through Hole |
| Electrical | |
| Current - Maximum per Contact | 14.0A |
| Voltage - Maximum | 400V AC (RMS)/DC |
| Solder Process Data | |
| Duration at Max. Process Temperature (seconds) | 090 |
| Lead-free Process Capability | WAVE |
| Max. Cycles at Max. Process Temperature | 002 |
| Process Temperature max. C | 260 |
| Material Info | |
| Reference - Drawing Numbers | |
| Application Specification | AS-172323-0001 |
| Packaging Specification | PK-172287-9001 |
| Product Specification | 1723230001-TS-000, 1723231000-PS-CH-000, PS-172323-0001-001 |
| Sales Drawing | SD-172287-1000-000 |
| Symbol/Footprint Data | SYM-172287-1106 |

This document was generated on 10/13/2020

PLEASE CHECK WWW.MOLEX.COM FOR LATEST PART INFORMATION