

**PLEASE CHECK WWW.MOLEX.COM FOR LATEST PART INFORMATION**

**Part Number:** [1722862308](#)  
**Status:** **Active**  
**Overview:** [Ultra-Fit Power Connectors](#)  
**Description:** Ultra-Fit Vertical Header, 3.50mm Pitch, Single Row, 8 Circuits, with Kinked Pins, 0.76µm Gold (Au) Plating, Natural, Glow-Wire Capable

**Documents:**

<a href="#">3D Model</a>	<a href="#">Application Specification AS-172323-0001 (PDF)</a>
<a href="#">3D Model (PDF)</a>	<a href="#">Packaging Specification PK-172286-9001 (PDF)</a>
<a href="#">Drawing (PDF)</a>	<a href="#">Symbol Footprint Data SYM-172286-1208 (PDF)</a>
<a href="#">Product Specification 1723230001-TS-000 (PDF)</a>	<a href="#">RoHS Certificate of Compliance (PDF)</a>
<a href="#">Product Specification 1723231000-PS-CH-000 (PDF)</a>	<a href="#">Product Literature (PDF)</a>
<a href="#">Product Specification PS-172323-0001-001 (PDF)</a>	

**Agency Certification**

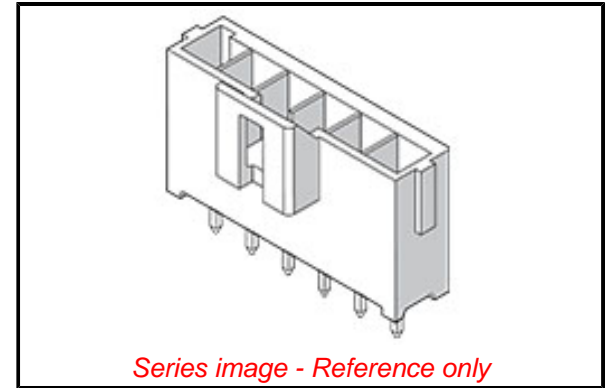
CSA	LR19980
UL	E29179

**General**

Product Family	PCB Headers
Series	<a href="#">172286</a>
Application	Power, Wire-to-Board
Comments	See Product Specification for maximum current rating by circuit size and wire AWG
Overview	<a href="#">Ultra-Fit Power Connectors</a>
Product Name	Ultra-Fit
UPC	887191736686

**Physical**

Breakaway	No
Circuits (Loaded)	8
Circuits (maximum)	8
Color - Resin	Natural
Durability (mating cycles max)	200
First Mate / Last Break	No
Flammability	94V-0
Glow-Wire Capable	Yes
Guide to Mating Part	No
Keying to Mating Part	Yes
Lock to Mating Part	Yes
Material - Metal	Copper Alloy
Material - Plating Mating	Gold
Material - Plating Termination	Tin
Material - Resin	Liquid Crystal Polymer
Net Weight	2.084/g
Number of Rows	1
Orientation	Vertical
PC Tail Length	3.20mm
PCB Locator	Yes
PCB Retention	Yes
PCB Thickness - Recommended	1.60mm
Packaging Type	Tray
Pitch - Mating Interface	3.50mm
Pitch - Termination Interface	3.50mm
Plating min - Mating	0.762µm
Plating min - Termination	1.524µm
Polarized to Mating Part	Yes



**EU ELV**

**Not Relevant**

**EU RoHS**

**Compliant**

**REACH SVHC**

Not Contained Per -  
D(2020)4578-DC (25  
June 2020)

**Halogen-Free**

**Status**

**Low-Halogen**

For more information, please visit [Contact US](#)

China ROHS

ELV

RoHS Phthalates

**China RoHS**

Green Image

Not Relevant

Not Contained

**Search Parts in this Series**

[172286 Series](#)

**Mates With**

Ultra-Fit Receptacle Housing [1722564108](#)

Polarized to PCB	Yes
Shrouded	Fully
Surface Mount Compatible (SMC)	Yes
Temperature Range - Operating	-40° to +120°C
Termination Interface: Style	Through Hole - Kinked Pin

**Electrical**

Current - Maximum per Contact	12.0A
Voltage - Maximum	400V AC (RMS)/DC

**Solder Process Data**

Duration at Max. Process Temperature (seconds)	090
Lead-free Process Capability	WAVE
Max. Cycles at Max. Process Temperature	002
Process Temperature max. C	260

**Material Info****Reference - Drawing Numbers**

Application Specification	AS-172323-0001
Packaging Specification	PK-172286-9001
Product Specification	1723230001-TS-000, 1723231000-PS-CH-000, PS-172323-0001-001
Sales Drawing	SD-172286-1000-000
Symbol/Footprint Data	SYM-172286-1208

This document was generated on 09/03/2020

**PLEASE CHECK [WWW.MOLEX.COM](http://WWW.MOLEX.COM) FOR LATEST PART INFORMATION**