



AMP

TE Internal #: 172021-2

Housing for Female Terminals, Wire-to-Board / Wire-to-Device, 16 Position, 3mm [.118in] Centerline, Black, Signal

[View on TE.com >](#)

Connectors > Automotive Connectors > Connector Housings



Connector & Housing Type: **Housing for Female Terminals**

Mating Tab Width: .64 mm, 1.5 mm [.025 in, .059 in]

Connector System: **Wire-to-Board, Wire-to-Device**

Number of Positions: **16**

Centerline (Pitch): **3 mm [.118 in]**

Features

Product Type Features

Row-to-Row Spacing	3.5 mm[.138 in]
Connector & Housing Type	Housing for Female Terminals
Connector System	Wire-to-Board, Wire-to-Device
Sealable	No
Hybrid Connector	No
Primary Locking Feature	On the Terminal
Strain Relief	No

Configuration Features

Number of Positions	16
Number of Rows	2

Electrical Characteristics

Nominal Voltage Architecture	12 V
Operating Voltage	12 VDC

Body Features

Cable Exit Angle	180°
Body Material	PA
Primary Product Color	Black

Contact Features

--	--



Mating Tab Width	.64 mm, 1.5 mm [.025 in][.059 in]
------------------	-----------------------------------

Mechanical Attachment

Terminal Position Assurance	No
Mounting Feature	Without
Polarized	Yes

Housing Features

Centerline (Pitch)	3 mm [.118 in]
--------------------	----------------

Dimensions

Height	19.7 mm [.776 in]
Length	24 mm [.945 in]
Width	26 mm [1.024 in]

Usage Conditions

Operating Temperature (Max)	70 °C, 75 °C, 80 °C, 85 °C, 90 °C, 100 °C, 105 °C [158 °F][167 °F][176 °F][185 °F][194 °F][212 °F][221 °F]
Operating Temperature Range	-30 – 105 °C [-22 – 221 °F]

Operation/Application

Circuit Application	Signal
---------------------	--------

Industry Standards

UL Flammability Rating	UL 94-HB
------------------------	----------

Packaging Features

Packaging Method	Loose Piece
------------------	-------------

Other

Serviceable	Yes
Connector Position Assurance Capable	No

Product Compliance

[For compliance documentation, visit the product page on TE.com>](#)

EU RoHS Directive 2011/65/EU	Compliant
EU ELV Directive 2000/53/EC	Compliant
China RoHS 2 Directive MIIT Order No 32, 2016	No Restricted Materials Above Threshold
EU REACH Regulation (EC) No. 1907/2006	Current ECHA Candidate List: JUN 2020 (209)



Candidate List Declared Against: JUL 2019 (201)

Does not contain REACH SVHC

Halogen Content

Low Halogen - Br, Cl, F, I < 900 ppm per homogenous material. Also BFR/CFR/PVC Free

Solder Process Capability

Not applicable for solder process capability

Product Compliance Disclaimer

This information is provided based on reasonable inquiry of our suppliers and represents our current actual knowledge based on the information they provided. This information is subject to change. The part numbers that TE has identified as EU RoHS compliant have a maximum concentration of 0.1% by weight in homogenous materials for lead, hexavalent chromium, mercury, PBB, PBDE, DBP, BBP, DEHP, DIBP, and 0.01% for cadmium, or qualify for an exemption to these limits as defined in the Annexes of Directive 2011/65/EU (RoHS2). Finished electrical and electronic equipment products will be CE marked as required by Directive 2011/65/EU. Components may not be CE marked. Additionally, the part numbers that TE has identified as EU ELV compliant have a maximum concentration of 0.1% by weight in homogenous materials for lead, hexavalent chromium, and mercury, and 0.01% for cadmium, or qualify for an exemption to these limits as defined in the Annexes of Directive 2000/53/EC (ELV). Regarding the REACH Regulation, the information TE provides on SVHC in articles for this part number is based on the latest European Chemicals Agency (ECHA) 'Guidance on requirements for substances in articles' posted at this URL: <https://echa.europa.eu/guidance-documents/guidance-on-reach>

Compatible Parts

TE Model / Part # CAT-T319-T273
TH/.025 CONNECTOR SYSTEM,
RECPT AND TAB

TE Model / Part # 172853-1
16P LOCKING PLATE DLI DBL LOCK

TE Model / Part # 1-170291-1
DLI REC CONTACT

TE Model / Part # 1-170291-4
DLI REC CONTACT

TE Model / Part # 172852-2
DLI DOUBLE LOCK PLUG HSG 16P

Customers Also Bought



TE Model / Part #175521-6
LOW & MEDIUM POWER HEADER



TE Model / Part #175446-1
SIGNAL HEADER



TE Model / Part #1123341-1
TH/.025 CONNECTOR SYSTEM,
HOUSING



TE Model / Part #173633-3
MULTILOCK, RECEPTACLE AND TAB
HOUSING



TE Model / Part #172853-1
16P LOCKING PLATE DLI DBL LOCK



TE Model / Part #172047-2
DLI HSG 20 POS MOD IV TYPE



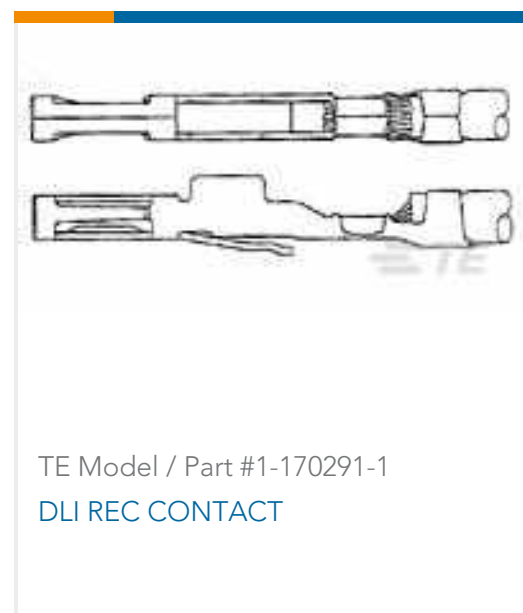
TE Model / Part #353377-7
SQUIB CONN HSG YELLOW



TE Model / Part #353378-7
SQUIB CONN HSG YELLOW



TE Model / Part #1376689-1
11DIA SQUIB SLIM LOCK BUTTON



TE Model / Part #1-170291-1
DLI REC CONTACT

Documents

Product Drawings

16 POS RCPT. HSG.

Japanese

CAD Files

Customer View Model

[ENG_CVM_172021-2_O.3d_igs.zip](#)

English

Customer View Model

[ENG_CVM_172021-2_O.3d_stp.zip](#)

English

Customer View Model

[ENG_CVM_172021-2_O.2d_dxf.zip](#)

English

3D PDF

English

By downloading the CAD file I accept and agree to the [Terms and Conditions](#) of use.

Product Specifications



Product Specification

Japanese

Instruction Sheets

[Customer Manual \(non U.S.\)](#)

English

DLI CONNECTORS

English

[Customer Manual \(non U.S.\)](#)

English

DLI CONNECTORS

English

[Customer Manual \(non U.S.\)](#)

Japanese

Agency Approvals

[Agency Approval Document](#)

English