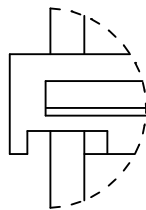
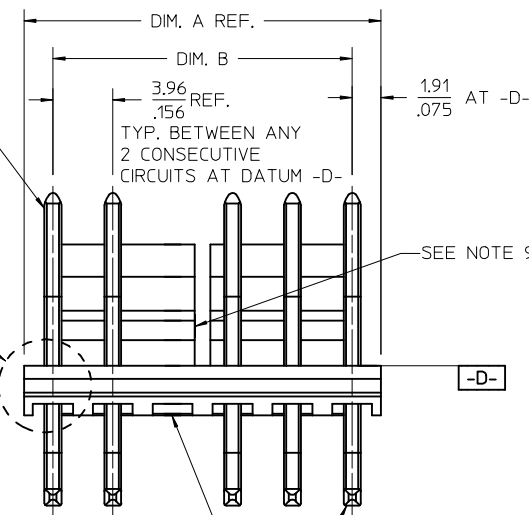


CENTERLINE OF PIN AT TIP NOT TO VARY FROM CENTERLINE OF PIN AT DATUM -D- BY MORE THAN 0.20 / .008 IN ANY DIRECTION.

CENTERLINE OF PIN AT TIP NOT TO VARY FROM CENTERLINE OF PIN AT DATUM -E- BY MORE THAN 0.20 / .008 IN ANY DIRECTION.

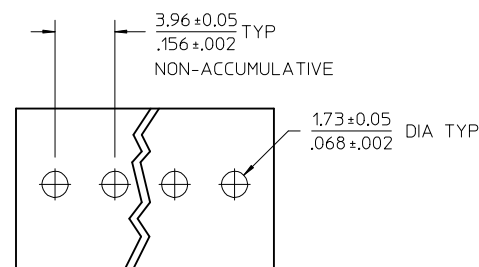
OPTIONAL VOIDED CIRCUIT - SEE CHART FOR LOCATIONS



DETAIL Z  
SCALE 8:1

NOTES:

- MATERIAL: HOUSING: NYLON, UL94V-2, IEC 60335-1 5TH EDITION GLOW WIRE CAPABLE, COLOR: BLACK  
PINS: BRASS
- FINISH: (197) = OVERALL REFLOWED MATTE TIN: 0.00152/.000060 MIN. OVER 0.00127/.000050 MIN. NICKEL OVERALL.  
(208) = SELECT GOLD: 0.00038/.000015 MIN, SELECT MATTE TIN: 0.00254/.000100 MIN. BOTH OVER 0.00127/.000050 MIN NICKEL.  
(228) = SELECT GOLD: 0.00076/.000030 MIN, SELECT MATTE TIN: 0.00254/.000100 MIN. BOTH OVER 0.00127/.000050 MIN NICKEL.
- PRODUCT SPECIFICATION: PS-171813-0001, PS-171813-0002
- PACKAGING INFORMATION: SEE CHART
- SOLDERABILITY: PER SMES-152.
- PIN PUSH-OUT FORCE: PRIOR TO SOLDERING, A 3 LB. MINIMUM FORCE IN EITHER DIRECTION
- PARTS ARE STACKABLE END TO END ON 3.96/.156 CENTERS.
- THIS PART CONFORMS TO CLASS B REQUIREMENTS OF COSMETIC SPECIFICATION PS-45499-002.
- SLOTS ON BACKWALL ARE BETWEEN CIRCUITS. SEE CHART FOR LOCATIONS.
- CIRCUIT 1 DESIGNATION IS USED TO DEFINE VOID LOCATION. CIRCUIT 1 MAY OR MAY NOT LINE UP WITH CIRCUIT 1 ON THE MATING HOUSING.
- FEATURE MAY OR MAY NOT EXTEND ACROSS THE ENTIRE FACE OF THE PART. SEE DETAIL Z.



PCB LAYOUT: COMPONENT SIDE

CIRCUIT SIZE	DIM. A	DIM. B	SLOT LOCATION BETWEEN CIRCUITS
2	7.77 .306	3.96±0.05 .156±.002	NONE
3	11.73 .462	7.92±0.10 .312±.004	NONE
4	15.70 .618	11.89±0.15 .468±.006	NONE
5	19.66 .774	15.85±0.15 .624±.006	NONE
6	23.62 .930	19.81±0.18 .780±.007	3 & 4
7	27.58 1.086	23.77±0.18 .936±.007	4 & 5
8	31.55 1.242	27.74±0.20 1.092±.008	4 & 5
9	35.51 1.398	31.70±0.20 1.248±.008	5 & 6
10	39.47 1.554	35.66±0.23 1.404±.009	5 & 6
11	43.43 1.710	39.62±0.23 1.560±.009	6 & 7
12	47.40 1.866	43.59±0.25 1.716±.010	4 & 5 8 & 9

<b>ADD PART NUMBERS</b> IEC NO: UCP2014-3462 DRWN:MKIPPER 2014/03/26 CHKD:JBELL 2014/03/26 APPR:FSMITH 2014/05/13	QUALITY SYMBOLS ▽=0 ▽=0 ▽=0	GENERAL TOLERANCES (UNLESS SPECIFIED)		DIMENSION STYLE <b>MM/IN</b>		SCALE <b>4:1</b>	DESIGN UNITS <b>INCH</b>	THIRD ANGLE PROJECTION	
		mm	INCH	DRAWN BY	DATE	TITLE <b>KK RPC .156 HEADER ASS'Y FRICITION LOCK RIGHT ANGLE W/O PEGS</b>			
		4 PLACES ±---	±---	MKIPPER	2012/09/14	<b>molex</b>			
		3 PLACES ±---	±.010	CHECKED BY	DATE	DOCUMENT NO. <b>SD-171814-0001</b>			
2 PLACES ±0.25	±.015	SSOUSEK	2012/09/14	SHEET NO. <b>1 OF *</b>					
1 PLACE ±0.38	±---	APPROVED BY	DATE	THIS DRAWING CONTAINS INFORMATION THAT IS PROPRIETARY TO MOLEX INCORPORATED AND SHOULD NOT BE USED WITHOUT WRITTEN PERMISSION					
0 PLACE ±	±	FSMITH	2013/06/11						
DRAFT WHERE APPLICABLE MUST REMAIN WITHIN DIMENSIONS		ANGULAR ±1/2°		SEE CHART					

OPTIONS	Group	171814-0002/0012	Group	171814-1002/1012	Group	171814-2002/2012
	Plating:	197 – TIN	Plating:	208 – 15 GOLD	Plating:	228 – 30 GOLD
	Mating M	11.33 / .446	Mating M	11.33 / .446	Mating M	11.33 / .446
	Gold Loc G	N/A	Gold Loc G	6.85 / .270	Gold Loc G	6.85 / .270
	Height Y	5.41 / .213	Height Y	5.41 / .213	Height Y	5.41 / .213
	PC Tail P	2.54/ .100	PC Tail P	2.54/ .100	PC Tail P	2.54/ .100
	Tin Loc T	OVERALL	Tin Loc T	5.08 / .200	Tin Loc T	5.08 / .200
	Voided Ckts	NONE	Voided Ckts	NONE	Voided Ckts	NONE
	Pack Per	PK-41792-002 BULK	Pack Per	PK-41792-002 BULK	Pack Per	PK-41792-002 BULK
Ckts	Material No		Material No		Material No	
2	171814-0002		171814-1002		171814-2002	
3	171814-0003		171814-1003		171814-2003	
4	171814-0004		171814-1004		171814-2004	
5	171814-0005		171814-1005		171814-2005	
6	171814-0006		171814-1006		171814-2006	
7	171814-0007		171814-1007		171814-2007	
8	171814-0008		171814-1008		171814-2008	
9	171814-0009		171814-1009		171814-2009	
10	171814-0010		171814-1010		171814-2010	
11	171814-0011		171814-1011		171814-2011	
12	171814-0012		171814-1012		171814-2012	

REV: <b>A2</b>	ECR/ECN INFORMATION: EC No.: <b>UCP2014-3462</b> DATE: <b>5/20/2014</b>	TITLE: <b>KK RPC 156 HEADER ASSEMBLY FRICTION LOCK RIGHT ANGLE W/O PEGS</b>	SHEET No. <b>- 2 -</b>
DOCUMENT NUMBER: <b>SD-171814-0001</b>	CREATED / REVISED BY: <b>MKIPPER</b>	CHECKED BY: <b>JBELL</b>	APPROVED BY: <b>FSMITH-ROEMER</b>

OPTIONS	Group	171814-0102/0112	Group		Group	
	Plating:	197 – TIN	Plating:		Plating:	
	Mating M	11.43 / .450	Mating M		Mating M	
	Gold Loc G	N/A	Gold Loc G		Gold Loc G	
	Height Y	5.41 / .213	Height Y		Height Y	
	PC Tail P	3.96/ .156	PC Tail P		PC Tail P	
	Tin Loc T	OVERALL	Tin Loc T		Tin Loc T	
	Voided Ckts	NONE	Voided Ckts		Voided Ckts	
	Pack Per	PK-41792-002 BULK	Pack Per		Pack Per	
Ckts	Material No		Material No		Material No	
2	171814-0102					
3	171814-0103					
4	171814-0104					
5	171814-0105					
6	171814-0106					
7	171814-0107					
8	171814-0108					
9	171814-0109					
10	171814-0110					
11	171814-0111					
12	171814-0112					

REV: <b>A2</b>	ECR/ECN INFORMATION: EC No.: <b>UCP2014-3462</b> DATE: <b>5/20/2014</b>	TITLE: <b>KK RPC 156 HEADER ASSEMBLY FRICTION LOCK RIGHT ANGLE W/O PEGS</b>	SHEET No. <b>- 3 -</b>
DOCUMENT NUMBER: <b>SD-171814-0001</b>		CREATED / REVISED BY: <b>MKIPPER</b>	CHECKED BY: <b>JBELL</b>
		APPROVED BY: <b>FSMITH-ROEMER</b>	

OPTIONS	Group	171814-3002/3012	Group	171814-4002/4012	Group	
	Plating:	197 – TIN	Plating:	208 – 15 GOLD	Plating:	
	Mating M	11.33 / .446	Mating M	11.33 / .446	Mating M	
	Gold Loc G	N/A	Gold Loc G	6.85 / .270	Gold Loc G	
	Height Y	5.41 / .213	Height Y	5.41 / .213	Height Y	
	PC Tail P	2.54/ .100	PC Tail P	2.54/ .100	PC Tail P	
	Tin Loc T	OVERALL	Tin Loc T	5.08 / .200	Tin Loc T	
	Voided Ckts	NONE	Voided Ckts	NONE	Voided Ckts	
	Pack Per	PK-171814-0001 TAPE AND REEL	Pack Per	PK-171814-0001 TAPE AND REEL	Pack Per	
Ckts	Material No		Material No		Material No	
2	171814-3002		171814-4002			
3	171814-3003		171814-4003			
4	171814-3004		171814-4004			
5	171814-3005		171814-4005			
6	171814-3006		171814-4006			
7	171814-3007		171814-4007			
8	171814-3008		171814-4008			
9	171814-3009		171814-4009			
10	171814-3010		171814-4010			
11	171814-3011		171814-4011			
12	171814-3012		171814-4012			

REV: <b>A2</b>	<u>ECR/ECN INFORMATION:</u>		<u>TITLE:</u> <b>KK RPC 156 HEADER ASSEMBLY FRICTION LOCK RIGHT ANGLE W/O PEGS</b>	<u>SHEET No.</u> <b>- 4 -</b>
	<u>EC No.:</u> <b>UCP2014-3462</b>	<u>DATE:</u> <b>5/20/2014</b>		
<u>DOCUMENT NUMBER:</u> <b>SD-171814-0001</b>		<u>CREATED / REVISED BY:</u> <b>MKIPPER</b>	<u>CHECKED BY:</u> <b>JBELL</b>	<u>APPROVED BY:</u> <b>FSMITH-ROEMER</b>