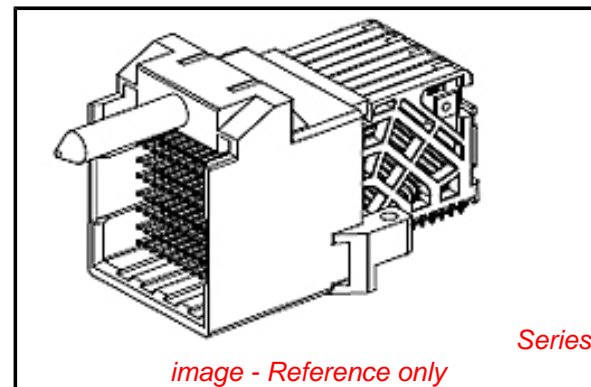


**PLEASE CHECK WWW.MOLEX.COM FOR LATEST PART INFORMATION**

**Part Number:** [171576-7207](#)  
**Status:** **Active**  
**Overview:** [Impact™ Backplane Connectors and Cable Assemblies](#)  
**Description:** Impact™ 100 Ohm Right-Angle Orthogonal Direct Header, 6-Pair, Top Guide, Bottom Endwall, with Outrigger, 12 Column, 72 Differential Pair, Pin Length 4.90mm, .39 Plated Through-Hole, Lead-Free

**Documents:**

[Drawing \(PDF\)](#) [Application Specification AS-76850-990 \(PDF\)](#)  
[Product Specification PS-45499-002 \(PDF\)](#) [RoHS Certificate of Compliance \(PDF\)](#)  
[Product Specification PS-76060-999 \(PDF\)](#)



**General**

Product Family	Backplane Connectors
Series	<a href="#">171576</a>
Application	Orthogonal Direct
Component Type	PCB Header
Overview	<a href="#">Impact™ Backplane Connectors and Cable Assemblies</a>
Product Name	Impact™
Style	N/A
UPC	887191128184

**Physical**

Circuits (Loaded)	216
Circuits (maximum)	216
Color - Resin	Black
Durability (mating cycles max)	200
First Mate / Last Break	No
Guide to Mating Part	Yes
Keying to Mating Part	None
Material - Metal	High Performance Alloy (HPA)
Material - Plating Mating	Gold
Material - Plating Termination	Tin
Material - Resin	High Temperature Thermoplastic
Net Weight	44.485/g
Number of Columns	12
Number of Pairs	6
Number of Rows	18
Orientation	Right Angle
PC Tail Length	1.20mm
PCB Locator	No
PCB Retention	Yes
PCB Thickness - Recommended	1.00mm
Packaging Type	Tray
Pitch - Mating Interface	1.35mm, 1.90mm, 2.15mm
Pitch - Termination Interface	1.35mm, 1.90mm, 2.15mm
Plating min - Mating	0.762µm
Polarized to PCB	Yes
Stackable	No
Temperature Range - Operating	-55°C to +85°C
Termination Interface: Style	Through Hole - Compliant Pin

**Electrical**

Current - Maximum per Contact	0.75A
Data Rate	25.0 Gbps
Impedance	100#

**EU RoHS**

**ELV and RoHS Compliant**  
**REACH SVHC**  
 Not Reviewed  
**Low-Halogen Status**  
**Not Low-Halogen**

**China RoHS**



**Need more information on product environmental compliance?**

Email [productcompliance@molex.com](mailto:productcompliance@molex.com)  
 For a multiple part number RoHS Certificate of Compliance, [click here](#)

Please visit the [Contact Us](#) section for any non-product compliance questions.

**Search Parts in this Series**

[171576Series](#)

**Mates With**

76290 Impact™ 100 Ohm Right Angle Orthogonal Daughtercard

**Application Tooling | FAQ**

*Tooling specifications and manuals are found by selecting the products below. Crimp Height Specifications are then contained in the Application Tooling Specification document.*

**Global**

Description	Product #
Impact Daughter	<a href="#">0622024300</a>
Card Extraction Tool	
Impact™ Orthogonal	<a href="#">0622030029</a>
Direct Ram Module	
Installation Press-In Tool	

Shield Type	N/A
Shielded	No
Voltage - Maximum	30V AC (RMS)/DC

### **Material Info**

### **Reference - Drawing Numbers**

Application Specification	AS-76850-990
Product Specification	PS-45499-002, PS-76060-999
Sales Drawing	SD-171576-0002
Symbol/Footprint Data	SYM-171576-7207

This document was generated on 07/03/2013

**PLEASE CHECK [WWW.MOLEX.COM](http://WWW.MOLEX.COM) FOR LATEST PART INFORMATION**