

PLEASE CHECK WWW.MOLEX.COM FOR LATEST PART INFORMATION

Part Number: [171575-1114](#)
Status: **Active**
Overview: [Impact™ Backplane Connectors and Cable Assemblies](#)
Description: Impact™ 100 Ohm Right-Angle Orthogonal Direct Header, 5-Pair, Unguided, Dual Endwall, with Outrigger, 10 Column, 50 Differential Pair, Pin Length 4.90mm, .46 Plated Through-Hole, Lead-Free

Documents:

[Drawing \(PDF\)](#) [Application Specification AS-76850-990 \(PDF\)](#)
[Product Specification PS-45499-002 \(PDF\)](#) [RoHS Certificate of Compliance \(PDF\)](#)
[Product Specification PS-76060-999 \(PDF\)](#)

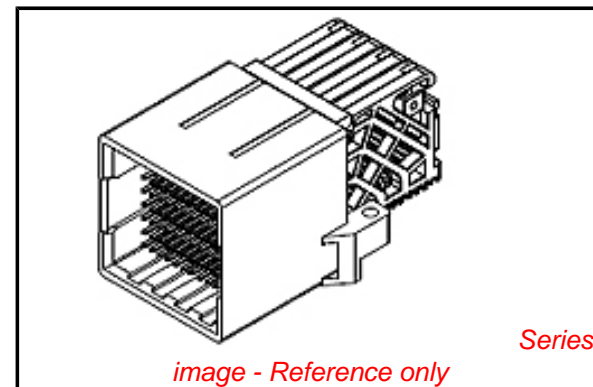


image - Reference only

General

| | |
|----------------|---|
| Product Family | Backplane Connectors |
| Series | 171575 |
| Application | Orthogonal Direct |
| Component Type | PCB Header |
| Overview | Impact™ Backplane Connectors and Cable Assemblies |
| Product Name | Impact™ |
| Style | N/A |
| UPC | 887191300702 |

Physical

| | |
|--------------------------------|--------------------------------|
| Circuits (Loaded) | 150 |
| Circuits (maximum) | 150 |
| Color - Resin | Black |
| Durability (mating cycles max) | 200 |
| First Mate / Last Break | No |
| Guide to Mating Part | No |
| Keying to Mating Part | None |
| Material - Metal | High Performance Alloy (HPA) |
| Material - Plating Mating | Gold |
| Material - Plating Termination | Tin |
| Material - Resin | High Temperature Thermoplastic |
| Net Weight | 28.053/g |
| Number of Columns | 10 |
| Number of Pairs | 5 |
| Number of Rows | 15 |
| Orientation | Right Angle |
| PC Tail Length | 1.20mm |
| PCB Locator | No |
| PCB Retention | Yes |
| PCB Thickness - Recommended | 1.00mm |
| Packaging Type | Tray |
| Pitch - Mating Interface | 1.35mm, 1.90mm, 2.15mm |
| Pitch - Termination Interface | 1.35mm, 1.90mm, 2.15mm |
| Plating min - Mating | 0.762µm |
| Polarized to PCB | Yes |
| Stackable | No |
| Surface Mount Compatible (SMC) | No |
| Temperature Range - Operating | -55°C to +85°C |
| Termination Interface: Style | Through Hole - Compliant Pin |

Electrical

| | |
|-------------------------------|-----------|
| Current - Maximum per Contact | 0.75A |
| Data Rate | 25.0 Gbps |

EU RoHS

ELV and RoHS Compliant
REACH SVHC
 Not Reviewed
Low-Halogen Status
Not Low-Halogen

China RoHS



Need more information on product environmental compliance?

Email productcompliance@molex.com
 For a multiple part number RoHS Certificate of Compliance, [click here](#)

Please visit the [Contact Us](#) section for any non-product compliance questions.

Search Parts in this Series

[171575Series](#)

Mates With

76990 Impact™ 100 Ohm Right Angle Orthogonal Daughtercard

Application Tooling | FAQ

Tooling specifications and manuals are found by selecting the products below. Crimp Height Specifications are then contained in the Application Tooling Specification document.

Global

| Description | Product # |
|--|----------------------------|
| Impact Daughter | 0622024300 |
| Card Extraction Tool | |
| Impact™ Orthogonal | 0622030028 |
| Direct Ram Module | |
| Installation Press-In Tool 5-Pair by 10 Column | |

| | |
|-------------------|-----------------|
| Impedance | 100# |
| Shield Type | N/A |
| Shielded | No |
| Voltage - Maximum | 30V AC (RMS)/DC |

Material Info

Reference - Drawing Numbers

| | |
|---------------------------|----------------------------|
| Application Specification | AS-76850-990 |
| Product Specification | PS-45499-002, PS-76060-999 |
| Sales Drawing | SD-171575-0001 |
| Symbol/Footprint Data | SYM-171575-1114 |

This document was generated on 07/10/2013

PLEASE CHECK WWW.MOLEX.COM FOR LATEST PART INFORMATION