

PLEASE CHECK WWW.MOLEX.COM FOR LATEST PART INFORMATION

Part Number: [171575-9108](#)
Status: **Active**
Overview: Impact™ Backplane Connectors and Cable Assemblies
Description: Impact™ 100 Ohm Right-Angle Orthogonal Direct Header, 5-Pair, Bottom Guide, Top Endwall, with Outrigger, 10 Column, 50 Differential Pair, Pin Length 5.50mm, .39 Plated Through-Hole, Lead-Free

Documents:

[Drawing \(PDF\)](#) [Application Specification AS-76850-990 \(PDF\)](#)
[Product Specification PS-45499-002 \(PDF\)](#) [RoHS Certificate of Compliance \(PDF\)](#)
[Product Specification PS-76060-999 \(PDF\)](#)

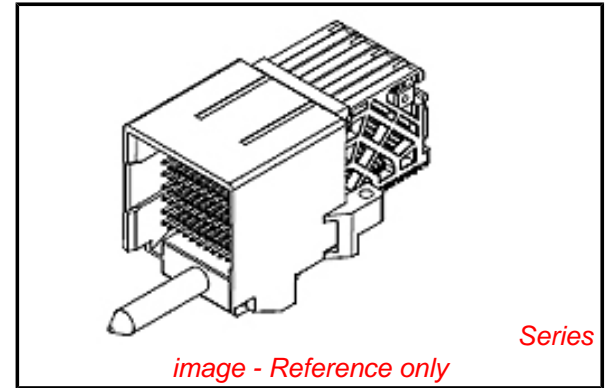


image - Reference only

General

Product Family	Backplane Connectors
Series	171575
Application	Orthogonal Direct
Component Type	PCB Header
Overview	Impact™ Backplane Connectors and Cable Assemblies
Product Name	Impact™
Style	N/A
UPC	887191301587

Physical

Circuits (Loaded)	150
Circuits (maximum)	150
Color - Resin	Black
Durability (mating cycles max)	200
First Mate / Last Break	No
Guide to Mating Part	Yes
Keying to Mating Part	None
Material - Metal	High Performance Alloy (HPA)
Material - Plating Mating	Gold
Material - Plating Termination	Tin
Material - Resin	High Temperature Thermoplastic
Net Weight	30.336/g
Number of Columns	10
Number of Pairs	5
Number of Rows	15
Orientation	Right Angle
PC Tail Length	1.20mm
PCB Locator	No
PCB Retention	Yes
PCB Thickness - Recommended	1.00mm
Packaging Type	Tray
Pitch - Mating Interface	1.35mm, 1.90mm, 2.15mm
Pitch - Termination Interface	1.35mm, 1.90mm, 2.15mm
Plating min - Mating	0.762µm
Polarized to PCB	Yes
Stackable	No
Temperature Range - Operating	-55°C to +85°C
Termination Interface: Style	Through Hole - Compliant Pin

Electrical

Current - Maximum per Contact	0.75A
Data Rate	25.0 Gbps
Impedance	100#

EU RoHS

ELV and RoHS Compliant
REACH SVHC
 Not Reviewed
Low-Halogen Status
Not Low-Halogen

China RoHS



Need more information on product environmental compliance?

Email productcompliance@molex.com
 For a multiple part number RoHS Certificate of Compliance, [click here](#)

Please visit the [Contact Us](#) section for any non-product compliance questions.

Search Parts in this Series

[171575Series](#)

Mates With

76990 Impact™ 100 Ohm Right Angle Orthogonal Daughtercard

Application Tooling | FAQ

Tooling specifications and manuals are found by selecting the products below. Crimp Height Specifications are then contained in the Application Tooling Specification document.

Global

Description	Product #
Impact Daughter	0622024300
Card Extraction Tool	
Impact™ Orthogonal	0622030028
Direct Ram Module	
Installation Press-In Tool	
5-Pair by 10 Column	

Shield Type	N/A
Shielded	No
Voltage - Maximum	30V AC (RMS)/DC

Material Info

Reference - Drawing Numbers

Application Specification	AS-76850-990
Product Specification	PS-45499-002, PS-76060-999
Sales Drawing	SD-171575-0003
Symbol/Footprint Data	SYM-171575-9108

This document was generated on 07/03/2013

PLEASE CHECK WWW.MOLEX.COM FOR LATEST PART INFORMATION