

171512-1 ✓ ACTIVE

PLASTI-GRIP

TE Internal #: 171512-1

Rings & Spades, Ring Tongue, 22 – 18AWG Wire Size, .3 – .9mm²

Wire Size, 592.06 – 1776.17CMA Wire Size, #4 / M2.5, Stud

Diameter 3.02 mm [.119 in]

[View on TE.com >](#)



Terminals & Splices > Rings & Spades



Terminal & Splice Type: **Ring Tongue**

Wire Size: **592.06 – 1776.17 CMA**

Stud Size: **#4, M2.5**

Features

Product Type Features

Shape Description	RING-041
Stud Size	#4, M2.5
Barrel Type	Closed Barrel
Sealable	No
Insulated	Yes
Wire/Cable Type	Regular Wire
Support Style	Insulation Support

Configuration Features

Number of Holes	1
Terminal Angle	Straight

Electrical Characteristics

Current Rating	1 A
----------------	-----

Body Features

Inspection Slot	No
Insulation Sleeve Color	Red
Weight per Piece	.544 g
Stripe Color	Red
Plating Material	Copper, Tin

Contact Features

--	--



Terminal & Splice Type	Ring Tongue
------------------------	-------------

Terminal Orientation	Straight
----------------------	----------

Mechanical Attachment

Wire Insulation Support	Without
-------------------------	---------

Dimensions

Wire Size	592.06 – 1776.17 CMA
-----------	----------------------

Stud Diameter	3.02 mm [.119 in]
---------------	-------------------

Tongue Thickness	.79 mm [.031 in]
------------------	------------------

Overall Length	20.6 mm [.811 in]
----------------	-------------------

Wire Insulation Diameter (Max)	3.18 mm [.125 in]
--------------------------------	-------------------

Wire Insulation Diameter	2.03 – 3.18 mm [.08 – .125 in]
--------------------------	--------------------------------

Usage Conditions

Operating Temperature Range	105 °C [221 °F]
-----------------------------	-----------------

Operation/Application

Heavy Duty	No
------------	----

Industry Standards

Government Qualified	No
----------------------	----

Packaging Features

Packaging Quantity	100
--------------------	-----

Packaging Method	Bag
------------------	-----

Product Compliance

[For compliance documentation, visit the product page on TE.com>](#)

EU RoHS Directive 2011/65/EU	Compliant
------------------------------	-----------

EU ELV Directive 2000/53/EC	Compliant
-----------------------------	-----------

China RoHS 2 Directive MIIT Order No 32, 2016	No Restricted Materials Above Threshold
---	---

EU REACH Regulation (EC) No. 1907/2006	Current ECHA Candidate List: JUN 2020 (209) Candidate List Declared Against: DEC 2010 (44) Does not contain REACH SVHC
--	--

Halogen Content	Not Yet Reviewed for halogen content
-----------------	--------------------------------------

Solder Process Capability	Not applicable for solder process capability
---------------------------	--

Product Compliance Disclaimer

This information is provided based on reasonable inquiry of our suppliers and represents our current actual knowledge based on the information they provided. This information is subject to change. The part numbers that TE has identified as EU RoHS compliant have a maximum concentration of 0.1% by weight in homogenous materials for lead, hexavalent chromium, mercury, PBB, PBDE, DBP, BBP, DEHP, DIBP, and 0.01% for cadmium, or qualify for an exemption to these limits as defined in the Annexes of Directive 2011/65/EU (RoHS2). Finished electrical and electronic equipment products will be CE marked as required by Directive 2011/65/EU. Components may not be CE marked. Additionally, the part numbers that TE has identified as EU ELV compliant have a maximum concentration of 0.1% by weight in homogenous materials for lead, hexavalent chromium, and mercury, and 0.01% for cadmium, or qualify for an exemption to these limits as defined in the Annexes of Directive 2000/53/EC (ELV). Regarding the REACH Regulations, TE's information on SVHC in articles for this part number is still based on the European Chemical Agency (ECHA) 'Guidance on requirements for substances in articles' (Version: 2, April 2011), applying the 0.1% weight on weight concentration threshold at the finished product level. TE is aware of the European Court of Justice ruling of September 10th, 2015 also known as O5A (Once An Article Always An Article) stating that, in case of 'complex object', the threshold for a SVHC must be applied to both the product as a whole and simultaneously to each of the articles forming part of its composition. TE has evaluated this ruling based on the new ECHA "Guidance on requirements for substances in articles" (June 2017, version 4.0) and will be updating its statements accordingly.

Compatible Parts



REPRESENTATION ONLY

TE Model / Part # 47386
DAHT PIDG 22-16 ASSY



TE Model / Part # 58423-1
DIE, RBY IS9252

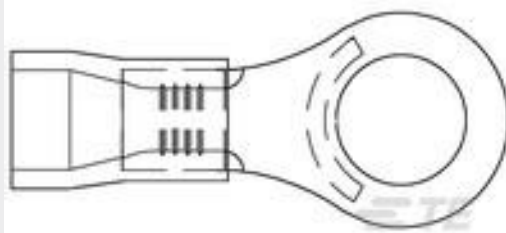


TE Model / Part # 58433-3
PRO CR ASSY, RBY IS9252




TE Model / Part # 169404
CERTI-LOK DIE

Customers Also Bought



TE Model / Part #130098
TERM PLASTI-GRIP



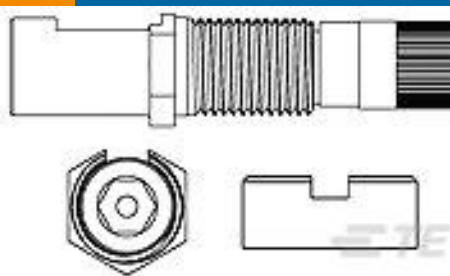
TE Model / Part #171519-1
P.G RING UL.CSA(12-10)



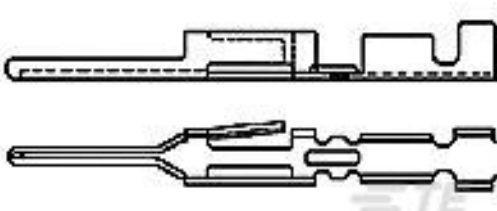
TE Model / Part #624362-000
D-104-34




TE Model / Part #51692-1
N SER PLUG, 50 OHM M39012



TE Model / Part #1738205-1
JACKSCREW KIT,A-F,GPRB



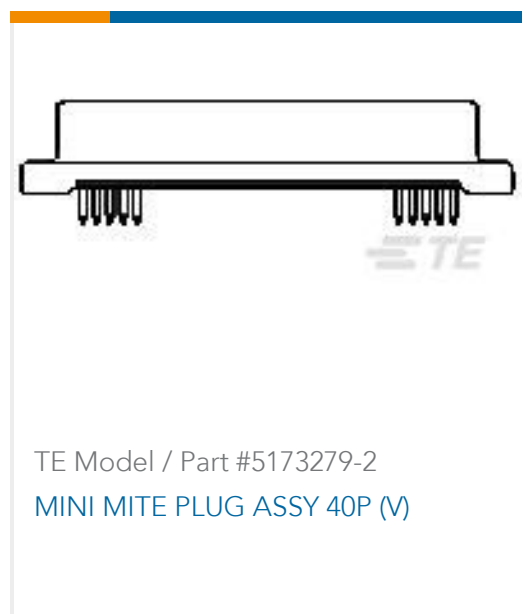
TE Model / Part #163691-1
CIS COSI PIN POST



TE Model / Part #2-846291-2
LGH-4 DBL MOLDED END LEAD



TE Model / Part #4-830612-1
LGH 1/2 DBL MLD END LEAD



Documents

Product Drawings

P.G RING (22-18)

English

CAD Files

3D PDF

3D

Customer View Model

[ENG_CVM_CVM_171512-1_C.2d_dxf.zip](#)

English

Customer View Model

[ENG_CVM_CVM_171512-1_C.3d_igs.zip](#)

English

Customer View Model

[ENG_CVM_CVM_171512-1_C.3d_stp.zip](#)

English

By downloading the CAD file I accept and agree to the [Terms and Conditions](#) of use.

Product Specifications

Application Specification

English

Agency Approvals

UL Report

English