



Extract from the online catalog

MCV 1,5/ 3-G-3,81 P26 THRR32

Order No.: 1712843



<http://eshop.phoenixcontact.de/phoenix/treeViewClick.do?UID=1712843>

Header, Nominal current: 8 A, Rated voltage (III/2): 160 V, Pitch: 3.81 mm, Color: black, Assembly: Taped SMD/THT/THR components, User information and design recommendations on through hole reflow technology can be found at: <http://www.combicon.com>

Commercial data	
EAN	4046356093217
sales group	E171
Pack	200 pcs.
Customs tariff	85366990
Weight/Piece	0.0031 KG
Catalog page information	Page 166 (CC-2009)

Product notes

WEEE/RoHS-compliant since:
09/07/2005



<http://www.download.phoenixcontact.com>
Please note that the data given here has been taken from the online catalog. For comprehensive information and data, please refer to the user documentation. The General Terms and Conditions of Use apply to Internet downloads.

Technical data

Dimensions / positions	
Pitch	3.81 mm
Dimension a	7.62 mm
Number of positions	3

MCV 1,5/ 3-G-3,81 P26 THRR32 Order No.: 1712843
http://eshop.phoenixcontact.de/phoenix/treeViewClick.do?UID=1712843

Pin dimensions	0,8 x 0,8 mm
Hole diameter	1.4 mm

Technical data

Insulating material group	IIIa
Rated surge voltage (III/3)	2.5 kV
Rated surge voltage (III/2)	2.5 kV
Rated surge voltage (II/2)	2.5 kV
Rated voltage (III/2)	160 V
Rated voltage (II/2)	250 V
Connection in acc. with standard	EN-VDE
Nominal current I_N	8 A
Nominal voltage U_N	160 V
Maximum load current	8 A (per position)
Insulating material	LCP
Inflammability class acc. to UL 94	V0
Nominal voltage, UL/CUL Use Group B	250 V
Nominal current, UL/CUL Use Group B	8 A
Nominal voltage, UL/CUL Use Group D	300 V
Nominal current, UL/CUL Use Group D	8 A

Certificates / Approvals



Certification CUL, UL

CUL

Nominal voltage U_N	300 V
Nominal current I_N	8 A

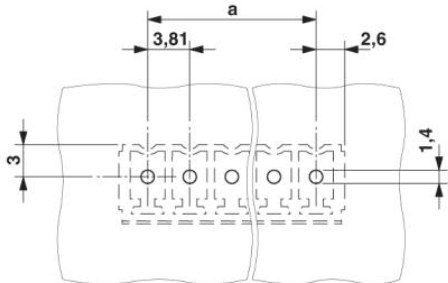
UL

Nominal voltage U_N	300 V
Nominal current I_N	8 A

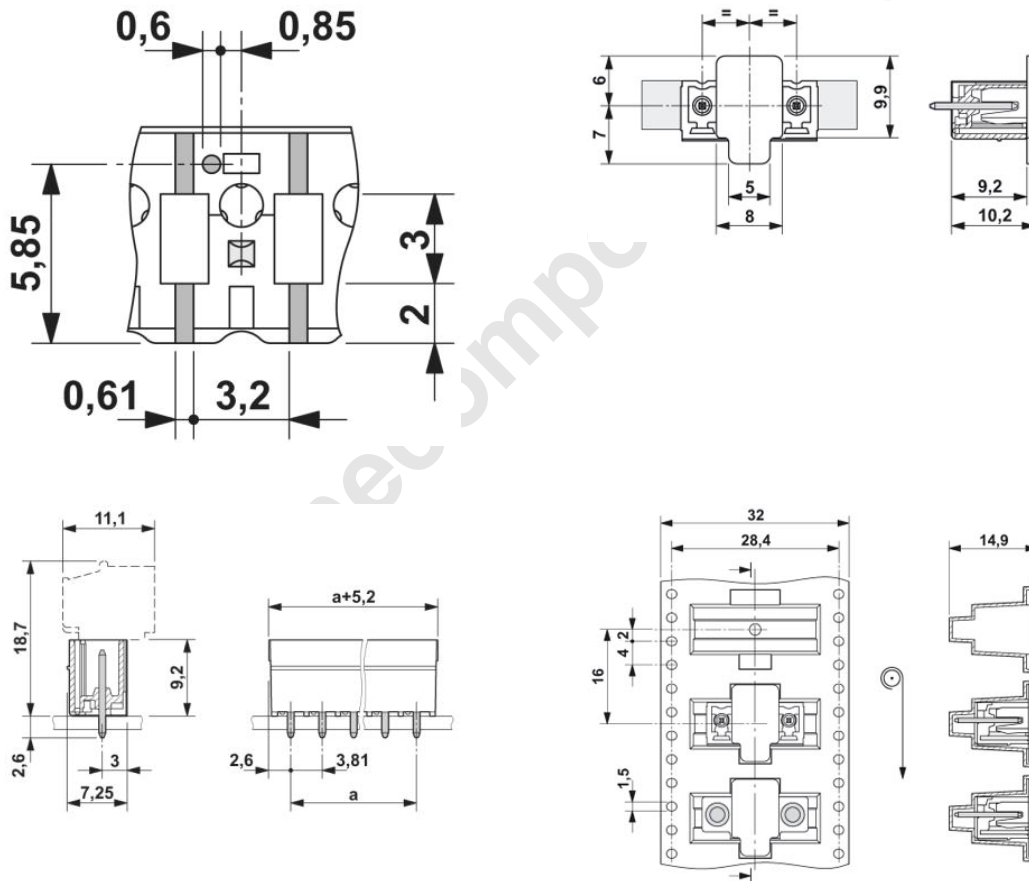
MCV 1,5/ 3-G-3,81 P26 THRR32 Order No.: 1712843
<http://eshop.phoenixcontact.de/phoenix/treeViewClick.do?UID=1712843>

Diagrams/Drawings

Drilling plan/solder pad geometry



Dimensioned drawing



MCV 1,5/ 3-G-3,81 P26 THRR32 Order No.: 1712843
<http://eshop.phoenixcontact.de/phoenix/treeViewClick.do?UID=1712843>

Address

PHOENIX CONTACT Deutschland GmbH
Flachmarktstr. 8
32825 Blomberg, Germany
Phone +49 5235 3 12000
Fax +49 5235 3 41200
<http://www.phoenixcontact.de>



© 2010 Phoenix Contact
Technical modifications reserved;

onlinecomponents.com