

## Square Body Fuse Links

Size 1\* to 3, Flush End Contact, 170M Series  
1000Vac (IEC and UL), 50 to 1400A

### Specifications

#### Description

Square body flush end contact high speed fuse links, for the protection of DC common bus, DC drives, power converters/rectifiers and reduced voltage starters.

#### Technical Data

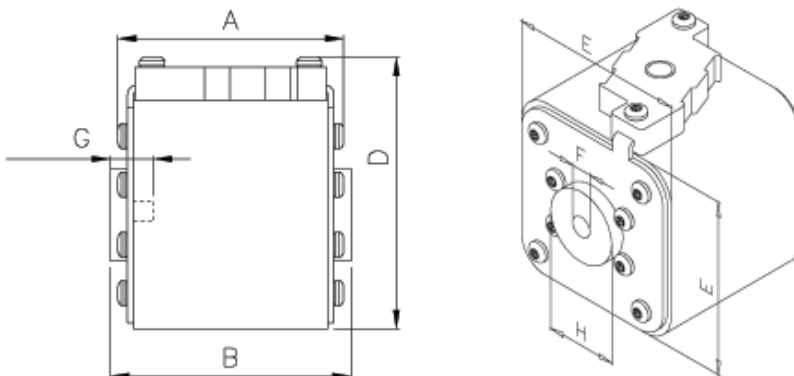
Rated Voltage: 1000Vac (IEC, 50-1250A),  
1000Vac (UL, 250-1100A)  
900Vac (IEC, 1400A)  
Rated Current: 50-1400A  
Breaking Capacity: 125kA RMS Sym.

Operating Class: aR

#### Standards/Agency Information

CE, Designed and tested to IEC 60269 Part 4, UL Recognised for size 2 and 3 (only up to 1100A)

#### Dimensions - mm



#### Type -BKN/- and -GKN/-

Size	Type	A	B	D (max)	E	F	F <sup>1</sup> (in)	G (min)	H
1*	BKN/75 + GKN/75	72.5	74	61	43	M8	<sup>5</sup> / <sub>16</sub> " 18 UNC-2B	5	17.5
1	BKN/75 + GKN/75	73.2	74	69	52	M8	<sup>5</sup> / <sub>16</sub> " 18 UNC-2B	8	20
2	BKN/75 + GKN/75	73.2	74.4	77	59	M10	<sup>3</sup> / <sub>8</sub> " 16 UNC-2B	10	24.5
3	BKN/75 + GKN/75	73.3	75.4	92	74	M12	<sup>1</sup> / <sub>2</sub> " 13 UNC-2B	10	30
3	BKN/90 + GKN/90	80.3	91.4	92	74	M12	<sup>1</sup> / <sub>2</sub> " 13 UNC-2B	10	30

<sup>1</sup> Valid for fuses type -GKN/-.

## Square Body Fuse Links

Size 1\* to 3, Flush End Contact, 170M Series  
1000Vac (IEC and UL), 50 to 1400A

### Catalogue Numbers

-BKN/- Type K Indicator for Micro	-GKN/- Type K Indicator for Micro	Fuse Link Size	Rated Voltage	Rated Current (Amps)	I <sup>2</sup> t (A <sup>2</sup> Sec)		Watts Loss (W)
					Pre- Arcing	Clearing at Rated Voltage	
170M3951	170M3921	1*	1000Vac (IEC)	50	135	815	20
170M3952	170M3922			63	215	1300	25
170M3953	170M3923			80	460	2750	30
170M3954	170M3924			100	860	5100	35
170M3955	170M3925			125	1450	8600	40
170M3956	170M3926			160	2850	17,500	45
170M3957	170M3927			200	4950	29,500	50
170M3958	170M3928			250	9550	57,000	55
170M3959	170M3929			315	21,500	130,000	65
170M3960	170M3930			350	29,000	175,000	70
170M3961	170M3931			400	42,000	250,000	75
170M4951	170M4921	1	1000Vac (IEC)	160	2200	13,500	40
170M4952	170M4922			200	4150	24,500	45
170M4953	170M4923			250	7750	46,000	52
170M4954	170M4924			315	16,500	98,500	60
170M4955	170M4925			350	21,500	130,000	65
170M4956	170M4926			400	31,000	185,000	70
170M4957	170M4927			450	44,500	265,000	80
170M4958	170M4928			500	63,000	375,000	85
170M4959	170M4929			550	84,500	500,000	90
170M4960	170M4930			630	125,000	755,000	98
170M5952	170M5922			2	1000Vac (IEC/UL)	250	6750
170M5953	170M5923	315	13,500			81,500	75
170M5954	170M5924	350	16,500			99,000	80
170M5955	170M5925	400	26,000			155,000	85
170M5956	170M5926	450	35,500			210,000	90
170M5957	170M5927	500	49,500			295,000	95
170M5958	170M5928	550	66,000			390,000	100
170M5959	170M5929	630	93,500			555,000	110
170M5960	170M5930	700	130,000			770,000	115
170M5961	170M5931	800	195,000			1,200,000	125
170M8600	170M8500	3	1000Vac (IEC/UL)			315	9200
170M8601	170M8501			350	13,000	77,500	95
170M8602	170M8502			400	19,000	115,000	105
170M8603	170M8503			450	27,000	160,000	107
170M8604	170M8504			500	37,500	225,000	110
170M8605	170M8505			550	52,000	310,000	115
170M8606	170M8506			630	82,500	490,000	120
170M8607	170M8507			700	115,000	700,000	125
170M8608	170M8508			800	170,000	1,050,000	135
170M8609	170M8509			900	250,000	1,500,000	145
170M8610	170M8510			1000	340,000	2,050,000	150
170M8611	170M8511	1100	460,000	2,750,000	155		
170M8612 <sup>1</sup>	170M8512 <sup>1</sup>	1000Vac (IEC)	1250	575,000	3,400,000	175	
170M8613 <sup>1</sup>	170M8513 <sup>1</sup>	900Vac (IEC)	1400	795,000	4,200,000	185	

<sup>1</sup> Overall length is 90mm, for all other fuse links the overall length is 75mm.