

Square Body Fuse Links

Size 4, Flush End Contact, 170M Series
690Vac (IEC), 700Vac (UL), 1000 to 4000A

Specifications

Description

Square body, flush end contact, high speed fuse links, for the protection of power rectifiers.

Technical Data

Rated Voltage: 690Vac (IEC)/700Vac (UL) 1000-3500A
600Vac (IEC and UL, 4000A)
Rated Current: 1000-4000A
Breaking Capacity: 200kA RMS Sym.

Operating Class: aR

Standards/Agency Information

CE, Designed and tested to IEC 60269 Part 4, UL Recognised (1000-4000A).



Catalogue Numbers

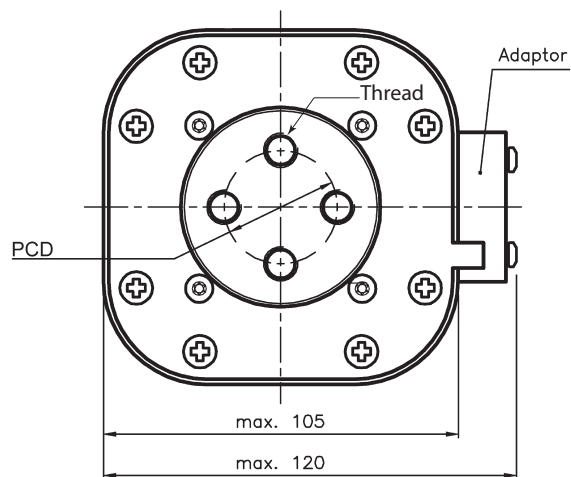
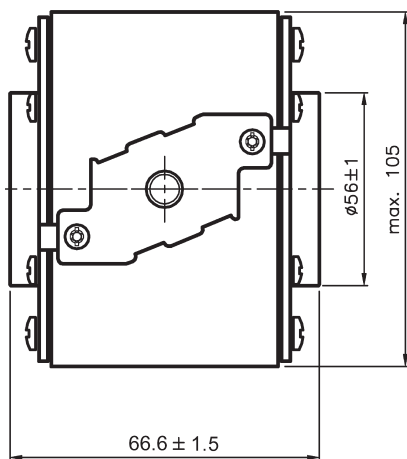
-B/65 Visual Indicator	-BKN/65 Type K Indicator	-G/65 Visual Indicator	-GKN/65 Type K Indicator	Fuse Link Size	Rated Voltage	Rated Current (Amps)	I ² t (A ² Sec)		Watts Loss (W)
							Pre- Arcing	Clearing at 660Vac	
170M7058	170M7078	170M7098	170M7118	4	690Vac (IEC)	1000	76,000	505,000	175
170M7059	170M7079	170M7099	170M7119			1250	145,000	965,000	195
170M7060	170M7080	170M7100	170M7120			1400	205,000	1,400,000	205
170M7061	170M7081	170M7101	170M7121			1600	305,000	2,050,000	220
170M7062	170M7082	170M7102	170M7122			2000	600,000	3,950,000	245
170M7063	170M7083	170M7103	170M7123			2500	1,200,000	7,800,000	275
170M7064	170M7084	170M7104	170M7124			3000	2,000,000	13,500,000	305
170M7065	170M7085	170M7105	170M7125			3500	3,250,000	22,000,000	325
170M7066	170M7086	170M7106	170M7126			600Vac (IEC & UL)	4000	4,700,000	28,000,000

Square Body Fuse Links

Size 4, Flush End Contact, 170M Series
690Vac (IEC), 700Vac (UL), 1000 to 4000A

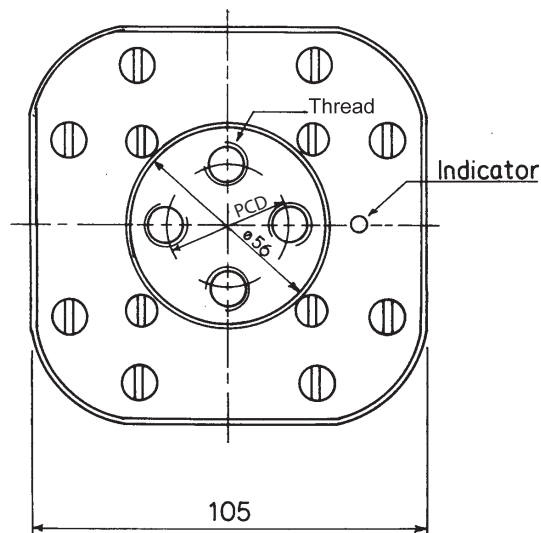
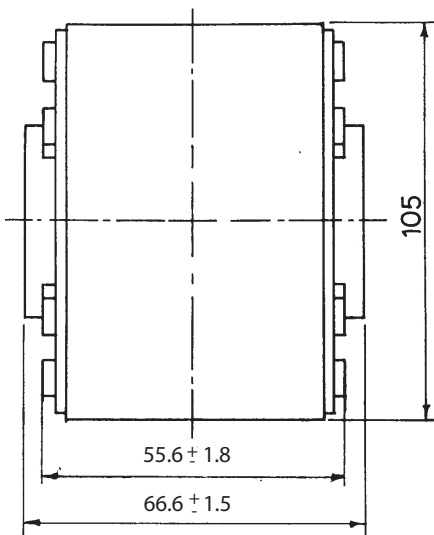
Dimensions - mm

Type -BKN/65, -GKN/65



Type	PCD	Thread
-GKN/65	Ø 38.1	UNC 1/2" - 13
-BKN/65	Ø 33	M-10

Type -B/65, -G/65



Type	PCD	Thread
-G/65	Ø 38.1	UNC 1/2" - 13
-B/65	Ø 33	M-10