

170889-1 ✓ ACTIVE



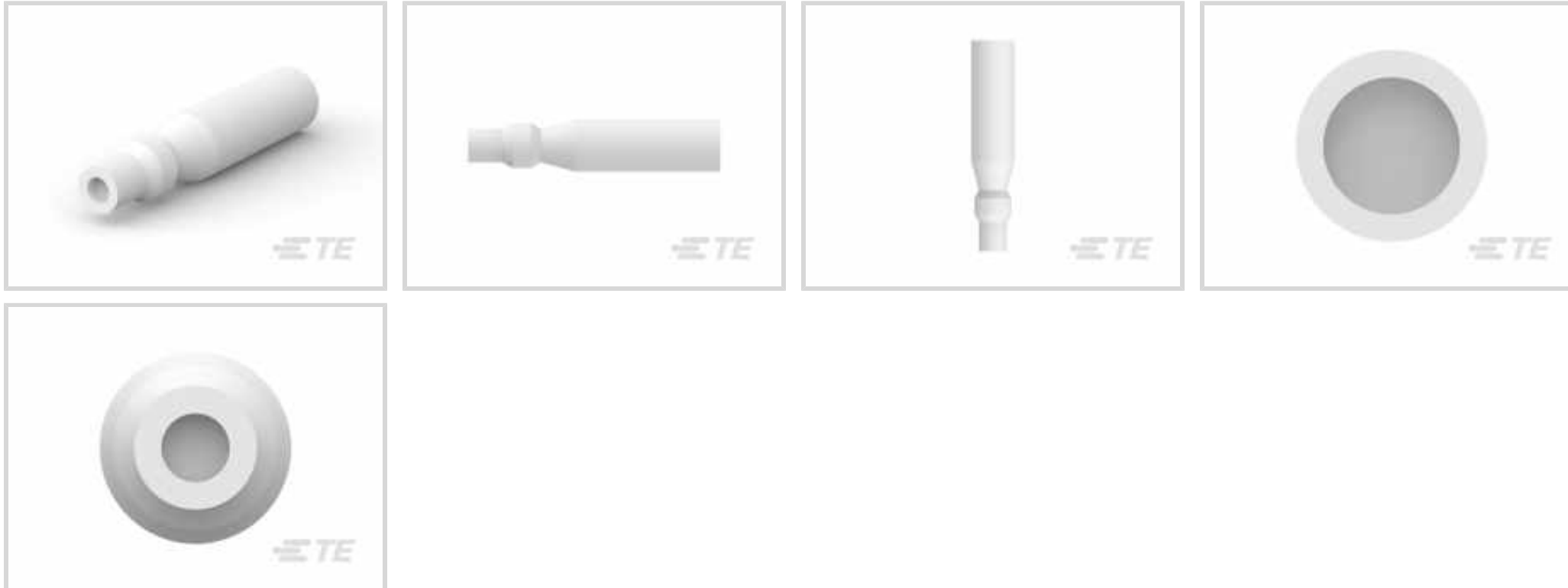
SHUR-PLUG 180

TE Internal #: 170889-1

Crimp Terminal Housings, Receptacle, Receptacle, 1 Position,
Straight, Natural, Soft Vinyl Chloride, -40 – 105 °C [-40 – 221 °F],
SHUR-PLUG 180

[View on TE.com >](#)

Terminals & Splices > Terminal Housings, Insulation Sleeves & Blocks > Crimp Terminal Housings



Terminal Type: **Receptacle**

Housing Type: **Receptacle**

Number of Positions: **1**

Terminal Orientation: **Straight**

Primary Product Color: **Natural**

Features

Product Type Features

Terminates To	Wire & Cable
Product Type	Insulation Sleeve
Sealable	No
Housing Type	Receptacle
Insulated	No

Configuration Features

Number of Positions	1
---------------------	---

Body Features

Primary Product Color	Natural
-----------------------	---------

Contact Features

Terminal Type	Receptacle
Terminal Orientation	Straight
Contact Mating Retention	Without



Mechanical Attachment

Mating Alignment Type	None
Mating Alignment	Without

Housing Features

Housing Material	Soft Vinyl Chloride
------------------	---------------------

Dimensions

Wire Insulation Diameter (Max)	13.3 mm ²
Length	34 mm[1.338 in]
Accepts Wire Insulation Diameter Range	2.5 – 4 mm

Usage Conditions

Operating Temperature Range	-40 – 105 °C[-40 – 221 °F]
-----------------------------	----------------------------

Operation/Application

For Use With	5 Dia. Series
--------------	---------------

Packaging Features

Packaging Quantity	1000
--------------------	------

Product Compliance

[For compliance documentation, visit the product page on TE.com>](#)

EU RoHS Directive 2011/65/EU	Compliant
EU ELV Directive 2000/53/EC	Compliant
China RoHS 2 Directive MIIT Order No 32, 2016	No Restricted Materials Above Threshold
EU REACH Regulation (EC) No. 1907/2006	Current ECHA Candidate List: JUNE 2022 (224) Candidate List Declared Against: JUNE 2022 (224) SVHC > Threshold: Diocetyl tin dilaurate derivs (.3% in Component Part)
Halogen Content	Not Low Halogen - contains Br or Cl > 900 ppm.
Solder Process Capability	Not applicable for solder process capability

Product Compliance Disclaimer


This information is provided based on reasonable inquiry of our suppliers and represents our current actual knowledge based on the information they provided. This information is subject to change. The part numbers that TE has identified as EU RoHS compliant have a maximum concentration of 0.1% by weight in homogenous materials for lead, hexavalent chromium, mercury, PBB, PBDE, DBP, BBP, DEHP, DIBP, and 0.01% for cadmium, or qualify for an exemption to these

limits as defined in the Annexes of Directive 2011/65/EU (RoHS2). Finished electrical and electronic equipment products will be CE marked as required by Directive 2011/65/EU. Components may not be CE marked. Additionally, the part numbers that TE has identified as EU ELV compliant have a maximum concentration of 0.1% by weight in homogenous materials for lead, hexavalent chromium, and mercury, and 0.01% for cadmium, or qualify for an exemption to these limits as defined in the Annexes of Directive 2000/53/EC (ELV). Regarding the REACH Regulation, the information TE provides on SVHC in articles for this part number is based on the latest European Chemicals Agency (ECHA) 'Guidance on requirements for substances in articles' posted at this URL: <https://echa.europa.eu/guidance-documents/guidance-on-reach>

Compatible Parts



TE Part # 170889-2
SLEEVE DIA3 SHUR PLUG NAT



TE Part # 170887-3
IS SHUR PLG 5 DIA NAT



TE Part # 170889-3
SLEEVE DIA5 SHUR PLUG NAT



TE Part # 1217070-1
SHUR PLUG 180 RECEPTACLE 12-8 AWG TPBR



TE Part # 1217606-1
.156 DIA SHUR PLUG PTPBR



TE Part # 170887-1
SLEEVE DIA5 SHUR PLUG NAT



TE Part # 170887-4
SLEEVE DIA5 SHUR PLUG NAT



TE Part # 1217074-2
SHUR PLUG 180 RECEPTACLE 2-8 AWG TPBR




TE Part # 42531-1
180 SHPL REC 20-16 016BR



TE Part # 42531-3
180 SHPL REC 20-16 016PHBZ


Also in the Series | SHUR-PLUG 180



Crimp Terminal Housings(6)

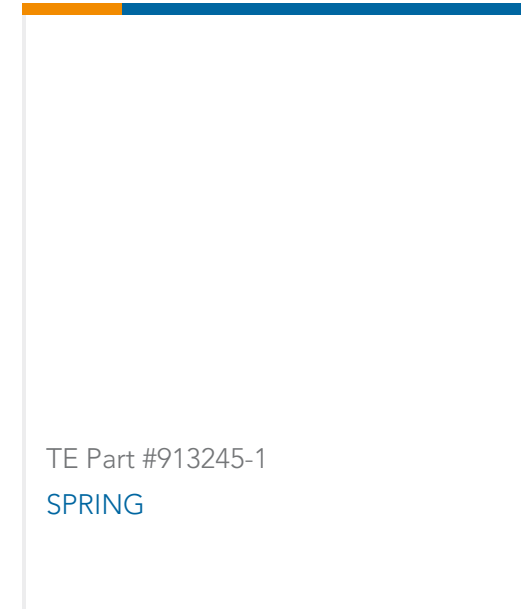
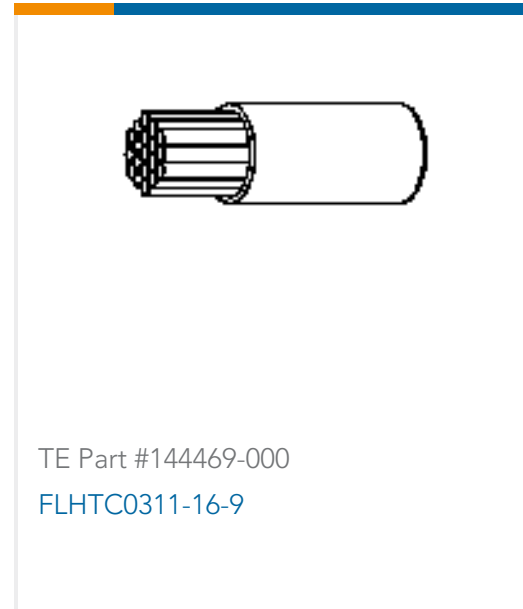
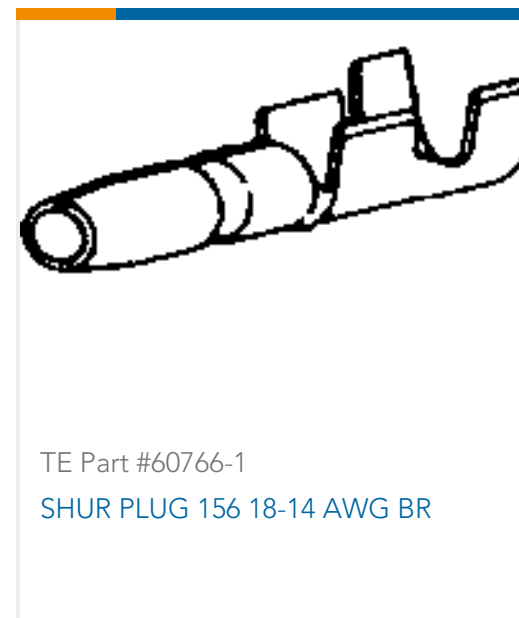
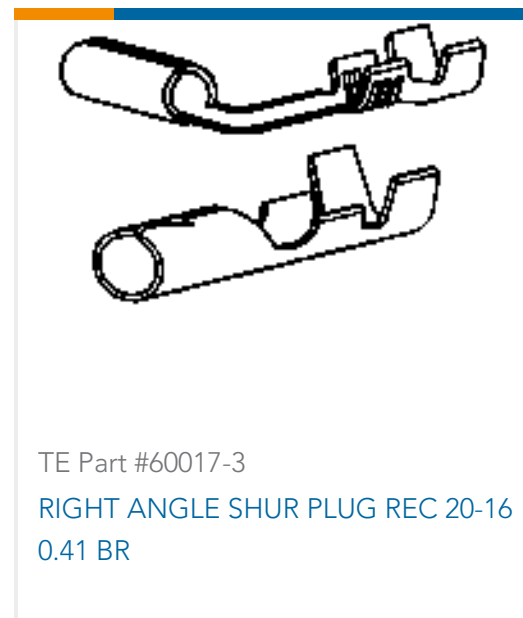


Crimp Wire Pins, Tabs & Ferrules(37)



Special Purpose Terminals(1)

Customers Also Bought



Documents

Product Drawings

SLEEVE DIA5 SHUR PLUG NAT

English

CAD Files

3D PDF

3D

Customer View Model

[ENG_CVM_CVM_170889-1_B.2d_dxf.zip](#)

English

Customer View Model

[ENG_CVM_CVM_170889-1_B.3d_igs.zip](#)

English

Customer View Model

[ENG_CVM_CVM_170889-1_B.3d_stp.zip](#)

English

By downloading the CAD file I accept and agree to the [Terms and Conditions](#) of use.

Product Environmental Compliance

[MD_170889-1_121020152145_dmtec](#)

English

[MD_170889-1_121020152145_dmtec](#)

English