



Extract from the online catalog

IPC 5/ 2-GFU-7,62

Order No.: 1708718

The figure shows a 5-pos. version of the product



<http://eshop.phoenixcontact.de/phoenix/treeViewClick.do?UID=1708718>

Header, Nominal current: 41 A, Rated voltage (III/2): 630 V, Pitch: 7.62 mm, Color: green, Assembly: Soldering

Commercial data	
GTIN (EAN)	4046356089630
Note	Made-to-order
sales group	E521
Pack	50 pcs.
Customs tariff	85366990
Weight/Piece	0.007342 KG
Catalog page information	Page 395 (CC-2009)

Product notes

WEEE/RoHS-compliant since:
08/11/2005



<http://www.download.phoenixcontact.com>
Please note that the data given here has been taken from the online catalog. For comprehensive information and data, please refer to the user documentation. The General Terms and Conditions of Use apply to Internet downloads.

Technical data

Dimensions / positions	
Pitch	7.62 mm
Dimension a	7.62 mm
Number of positions	2
Pin dimensions	1,2x0,8
Pin spacing	7.62 mm

IPC 5/ 2-GFU-7,62 Order No.: 1708718
http://eshop.phoenixcontact.de/phoenix/treeViewClick.do?UID=1708718

Hole diameter	1.3 mm
Technical data	
Insulating material group	I
Rated surge voltage (III/3)	6 kV
Rated surge voltage (III/2)	6 kV
Rated surge voltage (II/2)	6 kV
Rated voltage (III/2)	630 V
Rated voltage (II/2)	1000 V
Connection in acc. with standard	EN-VDE
Nominal current I_N	41 A
Nominal voltage U_N	630 V
Maximum load current	41 A
Insulating material	PA
Inflammability class acc. to UL 94	V0
Nominal voltage, UL/CUL Use Group B	300 V
Nominal current, UL/CUL Use Group B	41 A
Nominal voltage, UL/CUL Use Group C	300 V
Nominal current, UL/CUL Use Group C	41 A
Nominal voltage, UL/CUL Use Group D	600 V
Nominal current, UL/CUL Use Group D	5 A

Certificates / Approvals



Certification CUL, UL

CUL

Nominal voltage U_N	600 V
Nominal current I_N	5 A

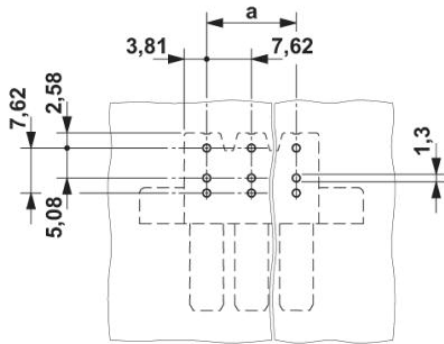
UL

Nominal voltage U_N	600 V
Nominal current I_N	5 A

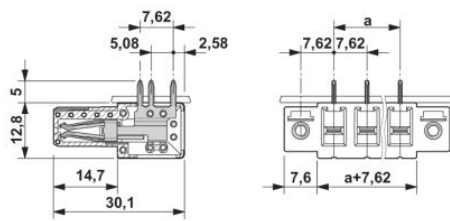
IPC 5/ 2-GFU-7,62 Order No.: 1708718
<http://eshop.phoenixcontact.de/phoenix/treeViewClick.do?UID=1708718>

Diagrams/Drawings

Drilling plan/solder pad geometry



Dimensioned drawing



IPC 5/ 2-GFU-7,62 Order No.: 1708718
<http://eshop.phoenixcontact.de/phoenix/treeViewClick.do?UID=1708718>

Address

PHOENIX CONTACT Deutschland GmbH
Flachmarktstr. 8
32825 Blomberg, Germany
Phone +49 5235 3 12000
Fax +49 5235 3 41200
<http://www.phoenixcontact.de>



© 2010 Phoenix Contact
Technical modifications reserved;

onlinecomponents.com