

Base strip - MCV 1,5/ 2-G-3,81 P26 THR - 1707421

Please be informed that the data shown in this PDF Document is generated from our Online Catalog. Please find the complete data in the user's documentation. Our General Terms of Use for Downloads are valid (<http://phoenixcontact.com/download>)

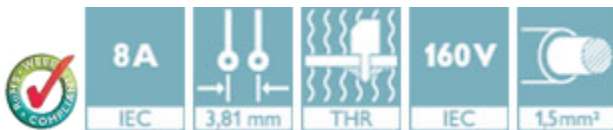
Header, Nominal current: 8 A, Rated voltage (III/2): 160 V, Number of positions: 2, Pitch: 3.81 mm, Color: black, Contact surface: Tin, Mounting: THR soldering, User information and design recommendations for through hole reflow technology can be found under "Downloads"



The figure shows a 10-position version of the product

Product Features

- Designed for integration into the SMT soldering process
- Vertical connection enables multi-row arrangement on the PCB
- Maximum flexibility when it comes to device design – one header for connectors with different connection technologies



Key Commercial Data

| | |
|--------------------------------------|----------|
| Packing unit | 1 pc |
| Minimum order quantity | 50 pc |
| Weight per Piece (excluding packing) | 0.77 g |
| Custom tariff number | 85366990 |
| Country of origin | Germany |

Technical data

Dimensions

| | |
|--------------------------|--------------|
| Length | 7.25 mm |
| Pitch | 3.81 mm |
| Dimension a | 3.81 mm |
| Width | 9.01 mm |
| Constructional height | 9.2 mm |
| Height | 11.8 mm |
| Length of the solder pin | 2.6 mm |
| Pin dimensions | 0,8 x 0,8 mm |

Base strip - MCV 1,5/ 2-G-3,81 P26 THR - 1707421

Technical data

Dimensions

| | |
|---------------|--------|
| Hole diameter | 1.4 mm |
|---------------|--------|

General

| | |
|--|-------------------|
| Range of articles | MCV 1,5/...-G-THR |
| Insulating material group | IIIa |
| Rated surge voltage (III/3) | 2.5 kV |
| Rated surge voltage (III/2) | 2.5 kV |
| Rated surge voltage (II/2) | 2.5 kV |
| Rated voltage (III/3) | 160 V |
| Rated voltage (III/2) | 160 V |
| Rated voltage (II/2) | 250 V |
| Connection in acc. with standard | EN-VDE |
| Nominal current I_N | 8 A |
| Maximum load current | 8 A |
| Insulating material | LCP |
| Flammability rating according to UL 94 | V0 |
| Color | black |
| Number of positions | 2 |

Standards and Regulations

| | |
|--|--------|
| Connection in acc. with standard | EN-VDE |
| | CUL |
| Flammability rating according to UL 94 | V0 |

Classifications

eCl@ss

| | |
|------------|----------|
| eCl@ss 4.0 | 272607xx |
| eCl@ss 4.1 | 27260701 |
| eCl@ss 5.0 | 27260701 |
| eCl@ss 5.1 | 27260701 |
| eCl@ss 6.0 | 27260704 |
| eCl@ss 7.0 | 27440402 |
| eCl@ss 8.0 | 27440402 |
| eCl@ss 9.0 | 27440402 |

ETIM

| | |
|----------|----------|
| ETIM 3.0 | EC001121 |
|----------|----------|

Base strip - MCV 1,5/ 2-G-3,81 P26 THR - 1707421

Classifications

ETIM

| | |
|----------|----------|
| ETIM 4.0 | EC002637 |
| ETIM 5.0 | EC002637 |

UNSPSC

| | |
|---------------|----------|
| UNSPSC 6.01 | 30211810 |
| UNSPSC 7.0901 | 39121409 |
| UNSPSC 11 | 39121409 |
| UNSPSC 12.01 | 39121409 |
| UNSPSC 13.2 | 39121409 |

Approvals

Approvals


Approvals

VDE Gutachten mit Fertigungsüberwachung / EAC / cULus Recognized / IECEE CB Scheme / EAC

Ex Approvals

Approvals submitted

Approval details

| | |
|---|-------|
| VDE Gutachten mit Fertigungsüberwachung  | |
| Nominal current I _N | 8 A |
| Nominal voltage U _N | 160 V |

| |
|-----|
| EAC |
|-----|

| | | |
|--------------------------------|-----|-----|
| cULus Recognized | | |
| | B | D |
| Nominal current I _N | 8 A | 8 A |

Base strip - MCV 1,5/ 2-G-3,81 P26 THR - 1707421

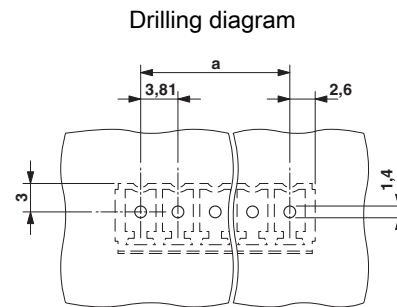
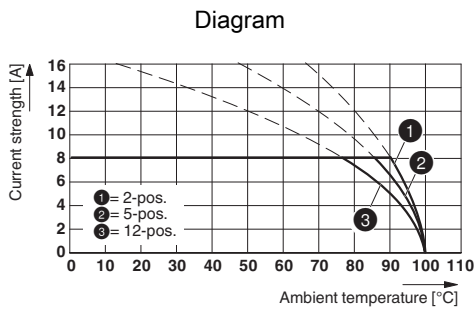
Approvals

| | | |
|--------------------|-------|-------|
| | B | D |
| Nominal voltage UN | 300 V | 300 V |

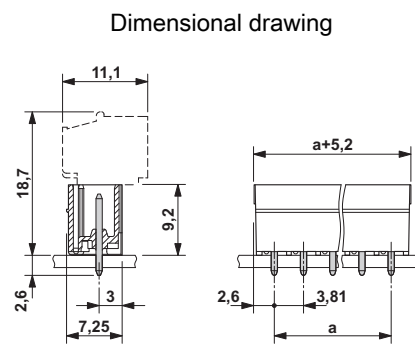
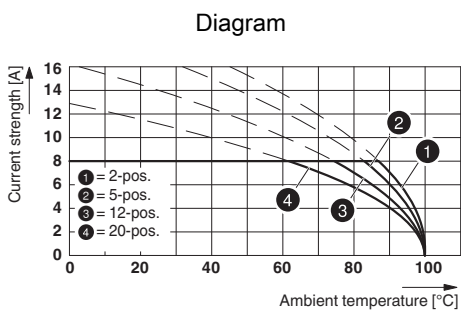
| | |
|--------------------|-------|
| IECEE CB Scheme | |
| Nominal current IN | 8 A |
| Nominal voltage UN | 160 V |

| |
|-----|
| EAC |
|-----|

Drawings



Type: MC 1,5/...-ST-3,81 with MCV 1,5/...-G-3,81 P26 THR



Type: FMC 1,5/...-ST-3,81 with MCV 1,5/...-G-3,81 P.. THR